



# COMMERCIAL-GRADE RESIDENTIAL GAS WATER HEATERS

## PROLINE® XE POWER VENT COMMERCIAL-GRADE RESIDENTIAL

### VERSATILE POWER VENT DESIGN

- All models feature an exclusive 3-position rotatable blower outlet which adds flexibility
- Combined horizontal and vertical vent runs up to 180 equivalent feet with 4" diameter venting (ABS, PVC, CPVC and polypropylene)
- All models are equipped with a protected sensor that detects the presence of flammable vapors and automatically disables the burner to prevent ignition
- Air intake snorkel elevates the inlet location of combustion air to prevent flammable vapors from entering the sealed combustion chamber
- Reduced NOx emissions comply with air quality management district regulations

### ENERGY STAR® QUALIFIED

- All models (except GPVX 75L) meet the ENERGY STAR® requirement and may also qualify for local utility and rebate programs.
- Built-in heat traps on the water inlet and outlet reduce the amount of heat lost through piping
- "Environmentally-Friendly" foam insulation reduces the amount of heat loss and contributes to overall energy efficiency.

### DYNACLEAN™ DIFFUSER DIP TUBE

- Reduces lime and sediment buildup and maximizes hot water output. Made from long-lasting PEX cross-linked polymer.

### HOT-SURFACE IGNITOR

- More robust and reliable than standing pilot, and reduces energy consumption

### BLUE DIAMOND® GLASS COATING

- Provides superior corrosion resistance compared to industry standard glass lining

### USER-FRIENDLY

- State-of-the-art electronic gas control provides more precise temperature control
- LED control light displays operation status and diagnostics information

### ENHANCED-FLOW BRASS DRAIN

#### VALVE

- Our residential water heaters have a solid brass, tamper resistant, enhanced-flow, ball type, drain valve.
- Uses a standard female hose fitting that allows for fast and easy draining during maintenance.
- Designed for easy operation, this valve includes an integral screwdriver slot that features a ¼ turn (open/close) radius, which not only permits full straight-through water flow but also a quick and positive shut off.

### AVAILABLE IN NATURAL GAS AND PROPANE

### DESIGN-CERTIFIED BY CSA INTERNATIONAL

- Certified at 150 PSI working pressure.
- Certified to ANSI Z21.10.1-CSA 4.1 or ANSI Z21.10.3-CSA 4.3 standards governing storage tank-type water heaters.

### 6-YEAR LIMITED TANK AND PARTS WARRANTY

- For complete information, consult written warranty or go to [hotwater.com](http://hotwater.com).



(Except GPVX 75L)



Model Number	Series	Nominal Capacity	Rated Storage Volume	UEF	Recovery @ 90°F Rise Gallon Per Hour	BTU Input Gallon Per Hour	First Hour Rating (Gallons)	Dimensions in Inches								Approx. Shipping Weight (lbs)
								A	B	C	D	E	F	G	H	
GPVL-40	200	40	38	0.67	45	40,000	72	59	49-5/8	22	29-1/8	11	13-1/4	42-1/2	N/A	174
GPVT-40	200	40	38	0.70	56	50,000	87	68-1/2	59-1/4	20	27-1/8	11	13-1/4	53-1/8	15-1/4	176
GPVL-50	200	50	49	0.72	45	40,000	79	60-1/8	50-3/4	24	31-1/8	11	13-1/4	43-3/4	N/A	198
GPVT-50	200	50	48	0.72	56	50,000	97	68-1/8	58-3/4	22	29-1/8	11	13-1/4	51-3/4	15-1/4	192
GPVX-50L	200	50	50	0.73	69	62,000	119	61-1/8	52	24	31-1/8	11	13-1/4	44-1/2	15-1/4	212
†GPVX-75L	210	75	72	0.69	80	76,000	116	70-5/8	61-1/4	26	33-1/8	11	13-1/4	53	15-1/4	277

Side loop fittings are available on GPVT models.

For side loop fittings, add "L" to the model number (example GPVT 40L).

Side loop fittings standard on GPVX models.

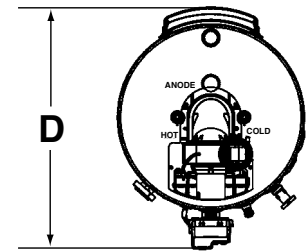
Natural gas models cited are series 200/210. Propane models are series 201/211.

All models rated for installation at altitudes up to 10,100 ft.

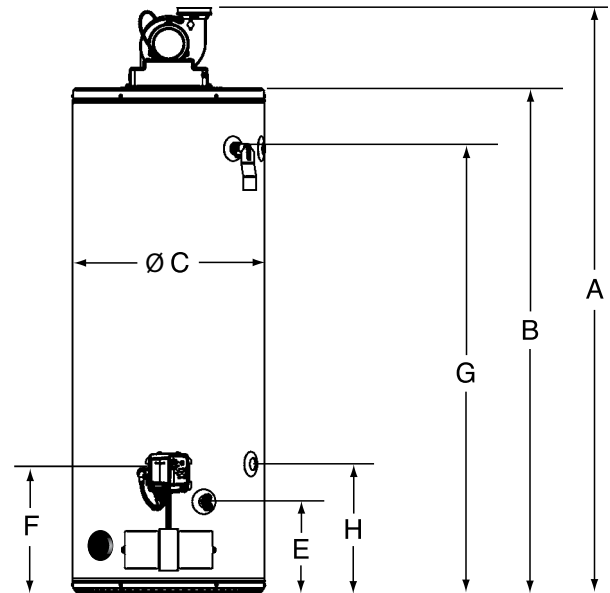
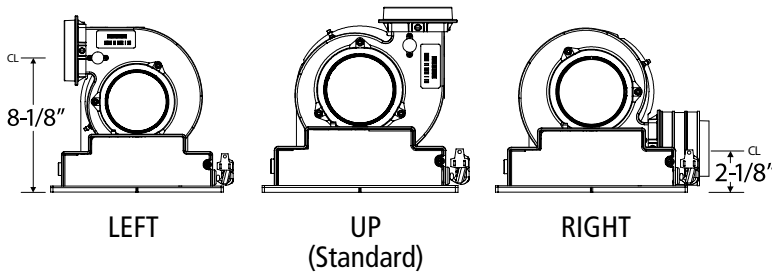
† GPVX 75L is not ENERGY STAR® Qualified.

### VENT LENGTH

Model Number	Maximum Vent Length Eq. ft.		
	2"	3"	4"
GPVL-40	50'	125'	180'
GPVT-40	50'	125'	180'
GPVL-50	50'	125'	180'
GPVT-50	50'	125'	180'
GPVX-50L	N/A	50'	125'
GPVX-75L	N/A	50'	125'



### Three Position Rotatable Blower



For technical information call 800-527-1953. A. O. Smith Corporation reserves the right to make product changes or improvements without prior notice.