



## REPLACEMENT PARTS LIST

# Residential & Light Duty Commercial Gas Power Direct Vent Models



**DEFENDER**  
SAFETY SYSTEM®

Includes Hydrojet®  
Total Performance System

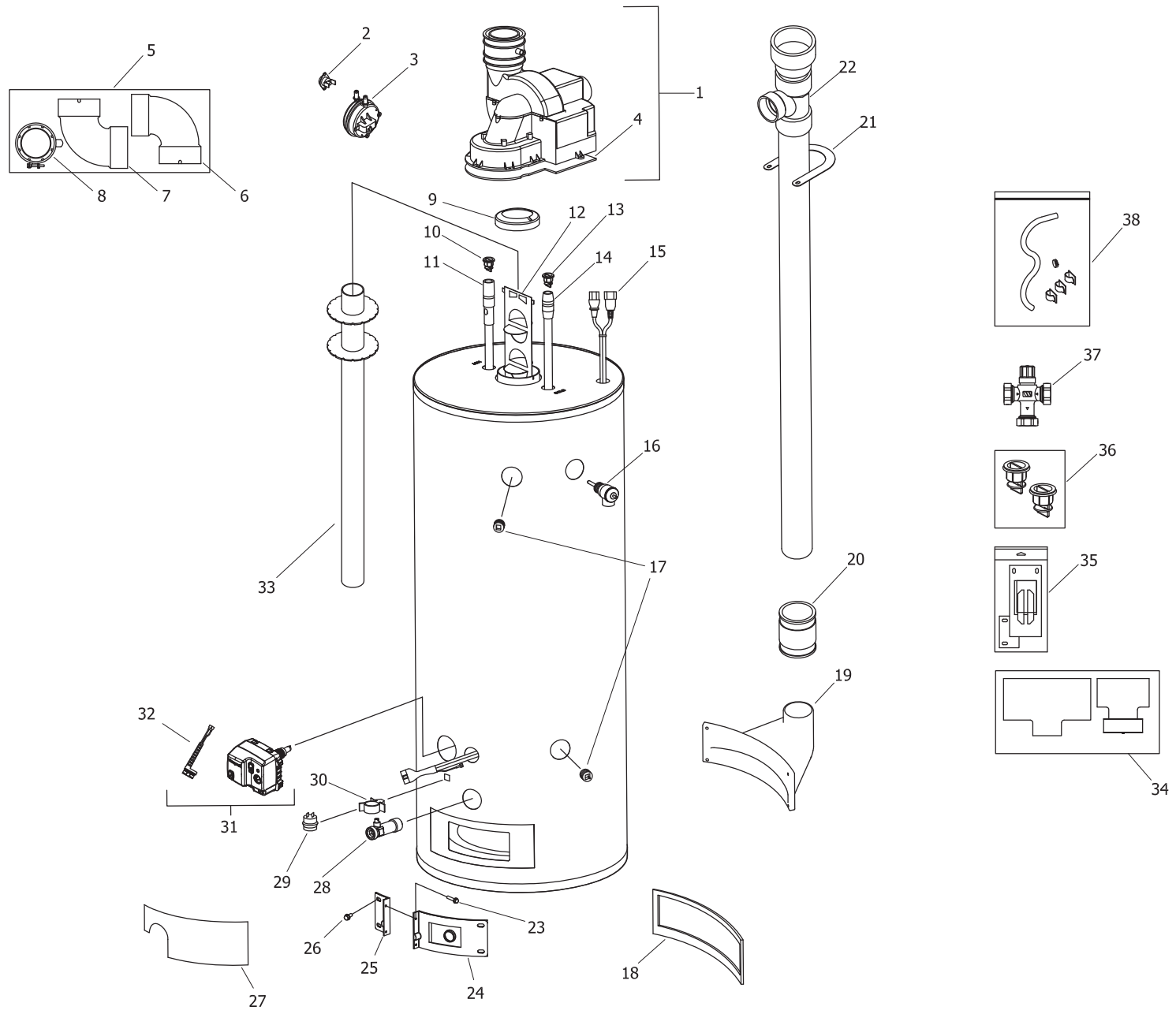
**Effective: August 2018**  
**ECO 7950**

NOTE: BOTH MODEL AND SERIAL  
NUMBERS ARE REQUIRED FOR  
ORDERING REPLACEMENT PARTS

Dimensions and specifications  
subject to change without notice.



As required by the state of California Proposition 65.



Item	Description	Model RG2PDV40S*	Model RG2PDV50S*	Model RG2PDV50H*	Model LG2PDV50H*	Model RG2PDV75H*	Model LG2PDV75H*
1	Blower Assembly (Normal Alt.) 0 Ft. to 2,000 Ft.	265-47386-00	265-47386-00	265-47387-00	265-47387-00	265-47387-00	265-47387-00
	Blower Assembly (-475 model suffixes) 0 ft. to 7,000 Ft.	239-48527-00	239-48527-00	239-48528-00	239-48528-00	239-48528-00	239-48528-00
2	Blower Temperature Switch	239-48752-00	239-48752-00	239-48752-00	239-48752-00	239-48752-00	239-48752-00
3	Pressure Switch Exhaust (Normal Alt.) 0 Ft. to 2,000 Ft.	239-48058-01	239-48058-01	239-48058-01	239-48058-01	239-48058-01	239-48058-01
	Pressure Switch Exhaust (-475 model suffixes) 0 Ft. to 7,000 Ft.	239-48058-02	239-48058-02	239-48058-02	239-48058-02	239-48058-02	239-48058-02
4	Blower Gasket	239-45866-00	239-45866-00	239-45866-00	239-45866-00	239-45866-00	239-45866-00
5	Vent Adapter with Vent Terminal	239-47992-00	239-47992-00	239-48781-00	239-48781-00	239-48781-00	239-48781-00
6	Intake Vent Terminal Elbow	239-39831-00	239-39831-00	239-40579-00	239-40579-00	239-40579-00	239-40579-00
7	Exhaust Vent Terminal Elbow	239-39831-00	239-39831-00	239-40579-00	239-40579-00	239-40579-00	239-40579-00
8	Exhaust Adapter	239-45709-00	239-45709-00	239-45639-00	239-45639-00	239-45639-00	239-45639-00
9	Flue Reducer	---	---	243-42572-00	243-42572-00	---	---
10	Heat Trap Insert (Outlet)	239-45167-00	239-45167-00	239-45167-00	239-45167-00	239-45167-00	239-45167-00
11	Hot Water Outlet Anode (Magnesium)▲#	224-47776-19	224-47776-19	224-47776-19	224-47776-19	224-47776-19	224-47776-19
	Hot Water Outlet Anode (Aluminum)▲#	224-32999-42	224-32999-42	224-32999-42	224-32999-42	224-32999-42	224-32999-42
	Hot Water Outlet Anode (A420 Aluminum)▲#	224-49560-08	224-49560-08	224-49560-08	224-49560-08	224-49560-10	224-49560-10
12	Flue Baffle	239-45372-00	239-45372-00	239-45373-00	239-45373-00	---	---
13	Heat Trap Insert (Inlet)	239-51556-00	239-51556-00	239-51556-00	239-51556-00	239-45167-00	239-45167-00
14	Cold Water Inlet Diptube (Polysulfone) ▲▲	---	---	---	---	229-45092-09	229-45092-09
	Cold Water Inlet Diptube (PEX) ▲▲	229-51230-20	229-51230-20	229-51230-26	229-51230-29	---	---
15	Blower Harness	239-45617-03	239-45617-03	239-45617-02	239-45617-02	239-45617-02	239-45617-02
16	T&P Relief Valve	230-40594-02	230-40594-02	230-40594-02	230-40594-02	230-40594-02	230-40594-02
17	3/4 NPT Plug	---	---	239-11638-00	239-11638-00	239-11638-00	239-11638-00
18	Air Intake Boot Gasket	239-47832-00	239-47832-00	239-47832-00	239-47832-00	239-47832-00	239-47832-00
19	Air Intake Boot	239-47514-18	239-47514-20	239-47514-18	239-47514-18	239-47514-22	239-47514-22
20	Coupling-2 X 2	239-47850-00	239-47850-00	239-47850-00	239-47850-00	239-47850-00	239-47850-00
21	Bracket-Vertical intake	239-47671-02	239-47671-02	239-47671-01	239-47671-01	239-47671-01	239-47671-01
22	Tee and vent pipe Assembly	239-51391-02	239-51391-02	239-47622-01	239-47622-01	239-51391-03	239-51391-03
23	Screw-#8-18 x 3/4 HWH	239-44195-00	239-44195-00	239-44195-00	239-44195-00	239-44195-00	239-44195-00
24	Right Side Inner Door	239-45642-18	239-45642-20	239-45642-18	239-45642-18	239-47504-22	239-47504-22
25	Left Side Inner Door	239-43968-18	239-43968-20	239-43968-18	239-43968-18	239-43968-20	239-43968-20
26	Screw-#10-12 x 3/4 HWH	239-44113-00	239-44113-00	239-44113-00	239-44113-00	239-44113-00	239-44113-00
27	Outer Door	243-43962-00	243-43962-00	243-43962-00	243-43962-00	243-43962-00	243-43962-00
28	Brass Drain Valve	265-42351-02	265-42351-02	265-42351-02	265-42351-02	265-42351-02	265-42351-02
29	Flammable Vapor Sensor	239-45560-00	239-45560-00	239-45560-00	239-45560-00	239-45560-00	239-45560-00
30	Flammable Vapor Sensor Clip	239-45648-00	239-45648-00	239-45648-00	239-45648-00	239-45648-00	239-45648-00
31	Gas Valve (Natural Gas)	239-48795-02	239-48795-02	265-48795-02	265-48795-04	265-48795-02	239-48795-04
	Gas Valve (LP Gas)	239-48796-02	239-48796-02	239-48796-02	239-48796-04	239-48796-02	239-48795-04
32	Flammable Vapor Sensor Harness	239-49791-00	239-49791-00	239-49791-00	239-49791-00	239-49791-00	239-49791-00
33	Flue Core	---	---	---	---	239-47658-00	239-47658-00
34	Air Inlet Relief Device	239-48391-00	239-48391-00	239-48392-00	239-48392-00	239-48392-00	239-48392-00
35	Inner Door Gasket Kit	239-44078-00	239-44078-00	239-44078-00	239-44078-00	239-47792-00	239-47792-00
36	Heat Trap Insert Kit	265-51572-00	265-51572-00	265-51572-00	265-51572-00	265-45420-00	265-45420-00
37	ASSE Approved Mixing Valve (Optional)	239-43740-01	239-43740-01	239-43740-01	239-43740-01	239-43740-01	239-43740-01
38	Condensate Hose Kit (Optional)	239-45875-00	239-45875-00	239-45875-00	239-45875-00	239-45875-00	239-45875-00

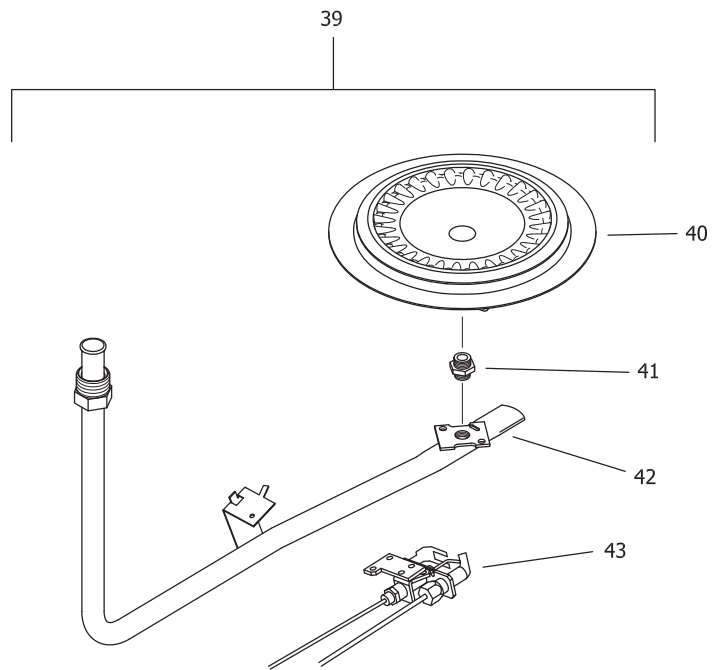
\*Applies to all warranties

Please order the specific component required for the quickest delivery.

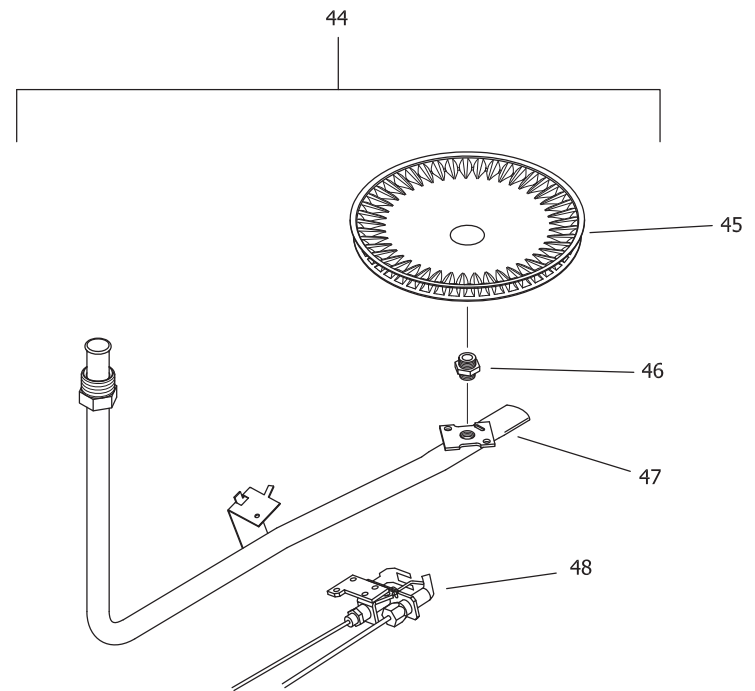
▲ Order with item 10

# Anode may need to be cut to length

▲▲ Order with item 13



NATURAL GAS BURNER ASSEMBLY



LP GAS BURNER ASSEMBLY

Item Description	Model RG2PDV40S*	Model RG2PDV50S*	Model RG2PDV50H*	Model LG2PDV50H*	Model RG2PDV75H*	Model LG2PDV75H*
<b><u>NAT Gas Burner Assembly</u></b>						
39 Nat. Gas Burner Assembly Complete***	265-47785-02-32	265-47785-03-32	265-47784-02-28	265-47784-02-28	265-51383-01-20	265-51383-01-20
40 Nat. Gas Burner**	228-47000-00	228-47000-00	228-42506-00	228-42506-00	228-42506-00	228-42506-00
41 Nat. Gas Main Burner Orifice 0 Ft. to 2,000 Ft.**	234-41034-32	234-41034-32	234-41034-28	234-41034-28	234-41034-20	234-41034-20
Nat. Gas High Altitude Orifice 0 Ft. to 7000 Ft. (-475 model suffixes) **	234-41034-36	234-41034-36	234-41034-30	234-41034-30	234-41034-26	234-41034-26
Nat. Gas High Altitude Orifice Kit 0 Ft. to 10,000 Ft.	265-51380-06-40	265-51380-06-40	265-51380-06-31	265-51380-06-31	265-51380-02-29	265-51380-02-29
42 Nat. Gas Feedline	233-47374-02	233-47374-03	243-47784-02	233-47374-02	233-47374-04	233-47374-04
43 Nat. Gas Pilot Assembly**	233-45653-05	233-45653-05	233-45653-05	233-45653-05	233-45653-05	233-45653-05
<b><u>LP Gas Burner Assembly</u></b>						
44 LP Gas Burner Assembly Complete***	265-47917-02-49	265-47917-03-49	265-47376-01-44	265-47376-01-44	265-47376-03-39	265-47376-03-39
45 LP Gas Burner**	228-46964-00	228-46964-00	228-47000-00	228-47000-00	228-47000-00	228-42506-00
46 LP Gas Main Burner Orifice 0 Ft. to 2,000 Ft.**	234-47064-49	234-47064-49	234-47064-44	234-47064-44	234-47064-39	234-47064-39
LP Gas High Altitude Orifice 0 Ft. to 7,000 Ft. (-475 model suffixes) **	234-47064-51	234-47064-51	234-47065-47	234-47064-47	234-47064-43	234-47064-43
LP Gas High Altitude Orifice Kit Over 7,001 Ft. to 10,000 Ft.	265-51433-05-52	265-51433-05-52	265-51433-05-49	265-51433-05-49	265-51433-01-44	265-51433-01-44
47 LP Gas Feedline	233-47672-02	233-47672-03	233-47672-02	233-47672-02	233-47672-04	233-47672-04
48 LP Gas Pilot Assembly**	233-45653-04	233-45653-04	233-45653-04	233-45653-04	233-45653-04	233-45653-04
LP to Natural Gas Conversion Kit Norm Alt. 0 Ft. to 2,000 Ft.	265-46493-94	265-46493-95	265-46493-49	265-46493-112	265-46493-113	265-46493-115
LP to Natural Gas Conversion Kit (High Alt.) 0 Ft. to 7,000 Ft.	265-46493-110	265-46493-111	265-46493-57	265-46493-60	265-46493-114	265-46493-116

\*Applies to all warranties

\*\*Inner door gasket kit (item# 35) recommended

\*\*\*Ordering a complete burner assembly may increase delivery time.

Please order the specific component required for the quickest delivery.



# **BRADFORD WHITE®**

W A T E R H E A T E R S

Ambler, PA

For U.S. and Canada field service,  
contact your professional installer or  
local Bradford White sales representative.

**Sales/800-523-2931**  
**Fax/215-641-1670**  
**Parts Fax/215-641-2180**

**Technical Support/800-334-3393**  
**Fax/269-795-1089**

**Warranty/800-531-2111**  
**Fax/269-795-1089**

**International:**  
**Telephone/215-641-9400**  
**Telefax/215-641-9750**



# **BRADFORD WHITE-CANADA® INC.**

Mississauga, ON

**Sales/866-690-0961**  
**905-238-0100**

**Fax/905-238-0105**

**Technical Support/800-334-3393**

**Email**

**parts@bradfordwhite.com**  
**techserv@bradfordwhite.com**

**www.bradfordwhite.com**