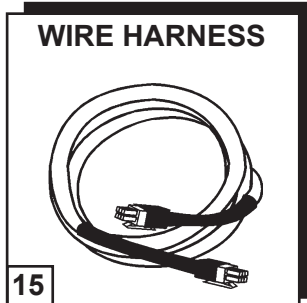
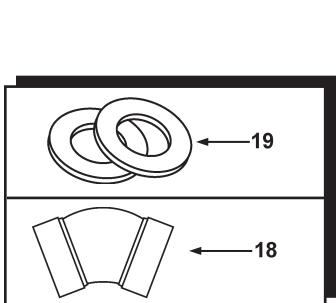
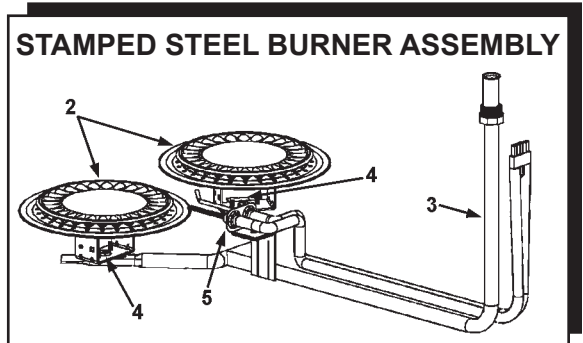
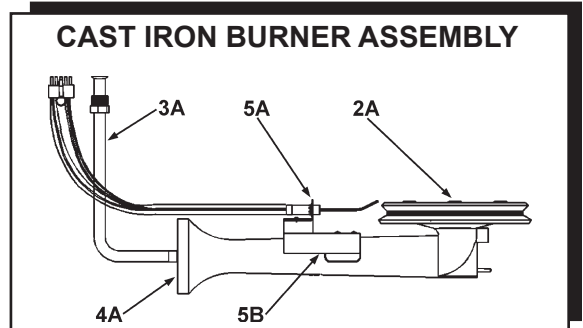
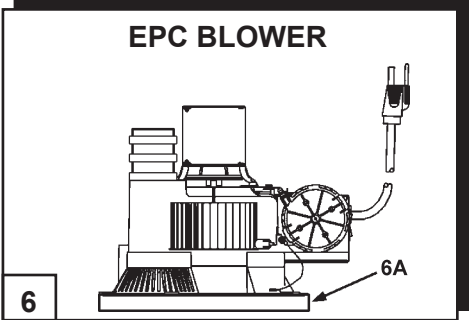
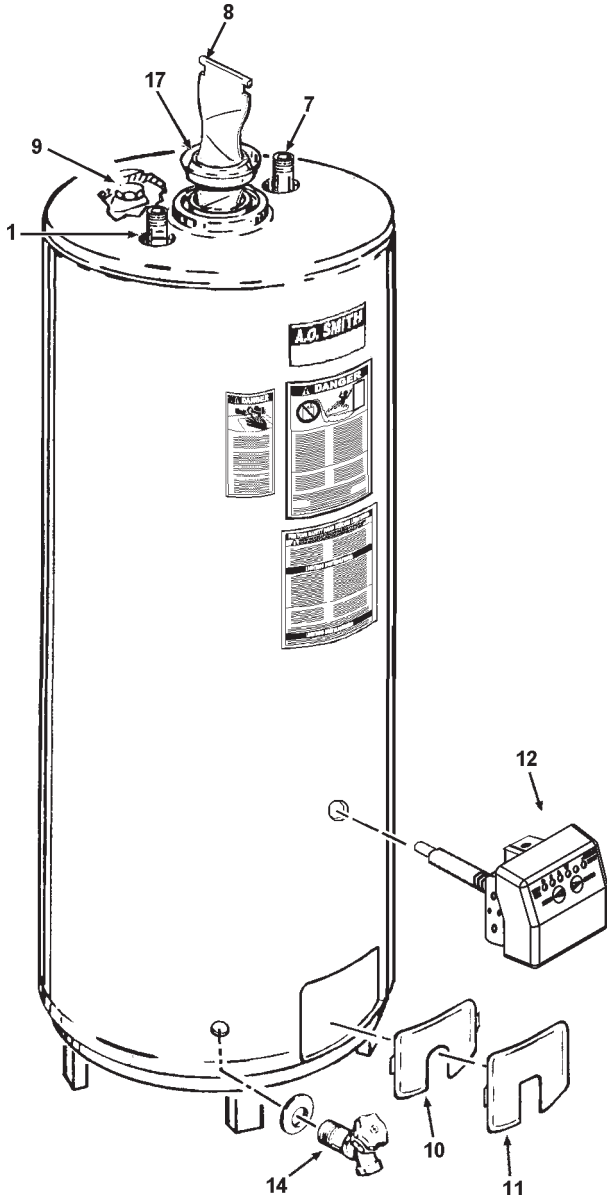




GAS

**RESIDENTIAL WATER HEATERS
REPLACEMENT PARTS LIST
MODELS GPS-75/75L SERIES 200/201**



**3/4" T&P RELIEF VALVE
AUTOMATIC, SELF-CLOSING TYPES**

| Part Number | Press | A= | Temp Relief |
|-------------|----------|--------|-------------|
| 9003484005 | 150 lbs. | 1 7/8" | 210° |

A.O. Smith Water Heater Parts Fulfillment
1-800-433-2545
www.hotwater.com

| Item | Qty. | Description | GPS-75/75L | GPS-75/75L |
|------|------|---|------------|------------|
| | | | Natural | Propane |
| 1 | 1 | Pipe Nipple | 9003743015 | 9003743015 |
| 2 | 2 | Stamped Steel Burner | 9006076005 | ----- |
| 2A | 1 | Cast Iron Burner | ----- | 9004412005 |
| 3 | 1 | Burner Tube (Stamped Burner) | 9004023005 | ----- |
| 3A | 1 | Burner Tube (Cast Iron Burner) | ----- | 9004580005 |
| 4 | 2 | Orifice (Stamped Steel Burner) | 9005724015 | ----- |
| 4A | 1 | Orifice (Cast Iron Burner) | ----- | 9004105015 |
| 5 | 1 | Ignitor/Flame Sensor (Stamped Steel Burner) | 9003626005 | ----- |
| 5A | 1 | Ignitor/Flame Sensor (Cast iron Burner) | ----- | 9003626005 |
| 5B | 1 | Ignitor Bracket (Cast Iron Burner) | ----- | 9006000215 |
| 6 | 1 | EPC Blower | 9004027005 | 9004027005 |
| 7 | 1 | Inlet Tube, Closed End | 9004314005 | 9004314005 |
| 8 | 1 | Flue Baffle Assembly | 9004031005 | 9004031005 |
| 9 | 1 | Anode Rod | 9001829005 | 9001829005 |
| 10 | 1 | Inner Door | 9003735005 | 9003735005 |
| 11 | 1 | Outer Door | 9004101005 | 9004101005 |
| 12 | 1 | Thermostat | 9005964005 | 9005965005 |
| 13 | 1 | T & P Relief Valve | 9003484005 | 9003484005 |
| 14 | 1 | Drain Valve | 9001870015 | 9001870015 |
| 15 | 1 | Wire Harness | 9005725015 | 9005725015 |
| *16 | | Manual | 197209-00x | 197209-00x |
| 17 | 1 | Flue Restrictor | 9003524005 | 9003524005 |
| 18 | 1 | Vent Terminal, 3" | 9001957005 | 9001957005 |
| 18 | 1 | Vent Terminal, 3" Canadian Model | 9006338005 | 9006338005 |
| 19 | 1 | Wall Plate, 3" | 9004364105 | 9004364105 |

* Not Illustrated