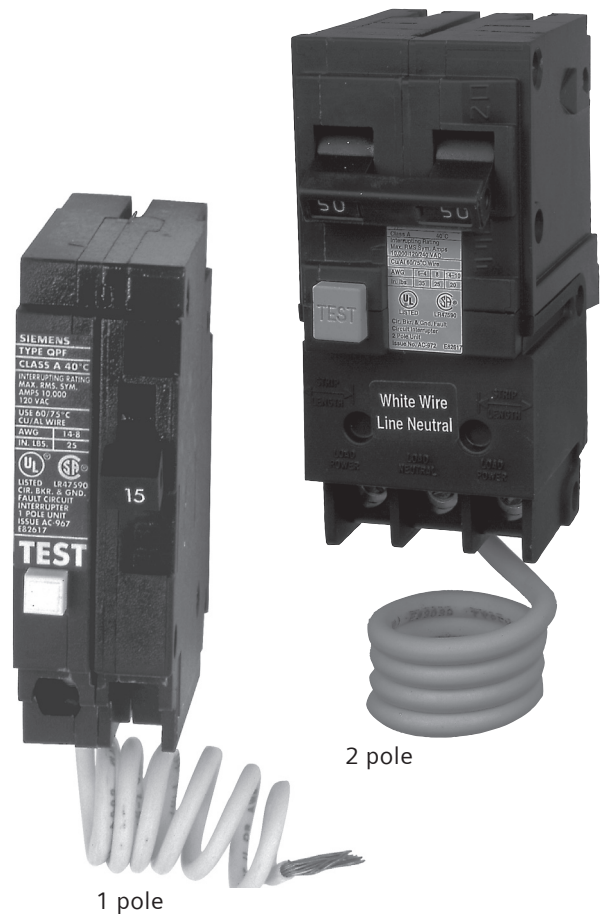


Circuit Breaker and Ground Fault Circuit Interrupter

Features

- Available in 1-pole (15-30A) and 2-pole (15-60A) through 60 amp rating
- Available in 10 kA and 22 kA ("H") interrupting rating
- Suitable for a variety of construction applications: spas, hot tubs, kitchens, bathrooms, etc.
- Resists false tripping (shielded to prevent RF interference)
- Standard 1 inch per pole format with plug-in design
- UL Listed and CSA Certified
- Also available in BLF type (low tab bolt-on)
- Provides Class A GFCI protection
- HACR rated



Siemens GFCI circuit breakers are UL Listed and CSA Certified as Class A devices. Current imbalances of 4-6 milliamps or more between load conductors will cause the ground fault sensor to trip the circuit breaker.

Note: A load neutral is not required on the circuit. However, the white line neutral (pigtail) must be connected to the panel neutral for the device to function.

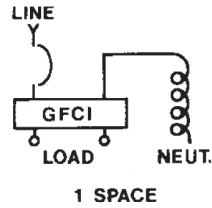
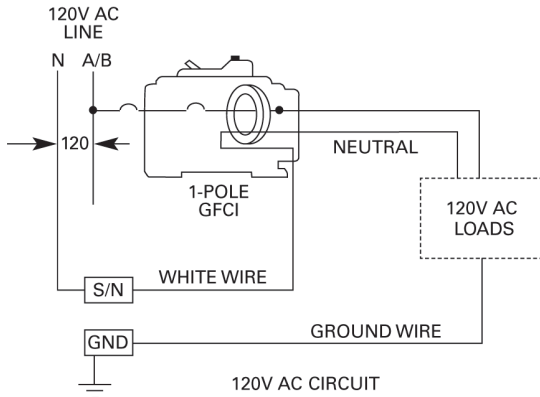
The Siemens 2-pole GFCI circuit breaker can be installed on a 120/240V AC single phase, 3 wire system, the 120/240V AC portion of a 240/120 volt, 3 phase, 4 wire system, or on a 208Y/120 volt, 3 phase, 4 wire system. When installed on these systems, protection is provided for 2 wire, 240V AC or 208V AC circuits; 3 wire, 120/240V AC circuits.

The Siemens 1-pole GFCI circuit breaker is to be installed only on a single phase 120/240V AC system.

[Data Sheet](#)

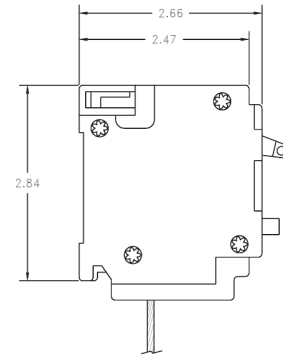
Wiring Diagrams

1-Pole (1" Wide)

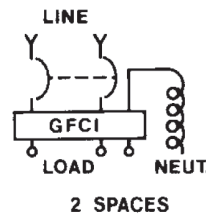
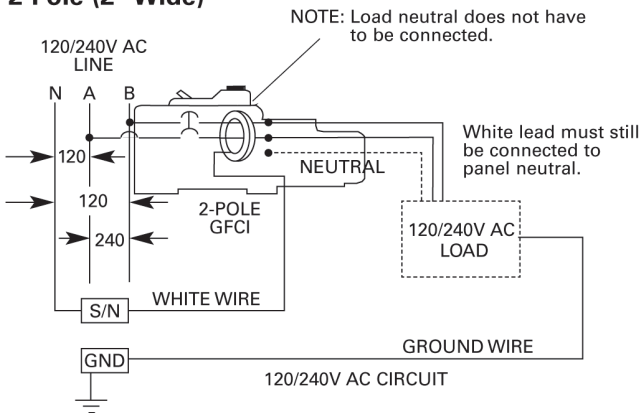


Dimensions

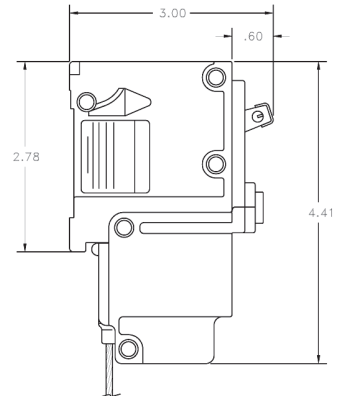
1-Pole (1" Wide)



2-Pole (2" Wide)



2-Pole (2" Wide)



UL Listed for 60°C or 75°C wire.

Selection Information

1 Pole, 120V AC, 60Hz
Standard Package - 1 (Approx. Wt. - 15 lbs.)^①

Ampere Rating	Catalog Number	Shipping Carton	Connector CU	Wire Range AL
15	QF115	30	#14 - #8	#14 - #8
20	QF120	30	#14 - #8	#14 - #8
30	QF130	30	#14 - #6	#12 - #6

^① Shipping carton weight

2 Pole, 120/240V AC, 60Hz
Standard Package - 1 (Approx. Wt. - 10 lbs.)^①

Ampere Rating	Catalog Number	Shipping Carton	Connector CU	Wire Range AL
15	QF215	10	#14 - #10	#14 - #8
20	QF220	10	#14 - #10	#14 - #8
30	QF230	10	#14 - #4	#14 - #4
40	QF240	10	#14 - #4	#14 - #4
50	QF250	10	#14 - #4	#14 - #4
60	QF260	10	#14 - #4	#14 - #4

^① Shipping carton weight

Siemens Energy & Automation, Inc.
3333 Old Milton Parkway
Alpharetta, GA 30005

1-800-964-4114
info.sea@siemens.com

©2008 Siemens Energy & Automation, Inc. All Rights Reserved. Siemens is a registered trademark of Siemens AG. Product names mentioned may be trademarks or registered trademarks of their respective companies. Specifications are subject to change without notice.

RPFL-GFCIN-0908

www.sea.siemens.com/residential