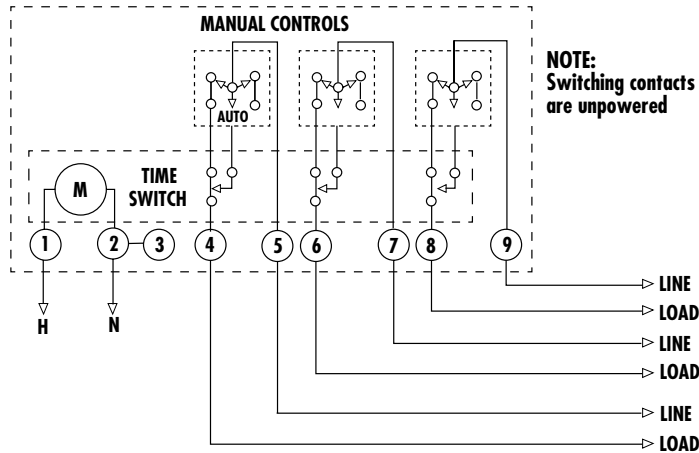


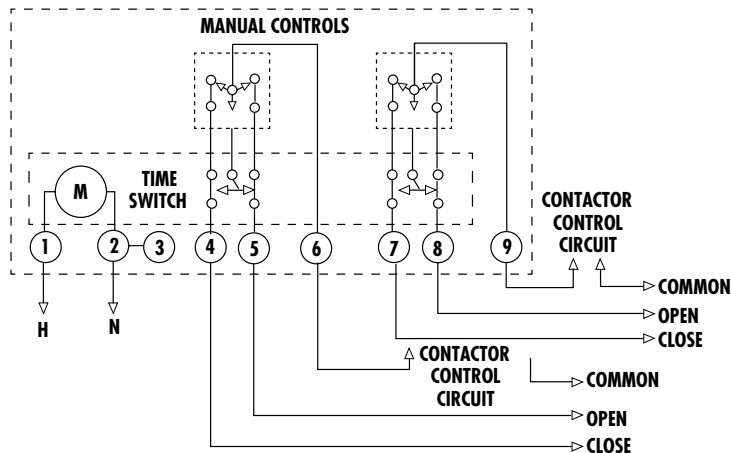
# TZ SERIES: ASTRONOMIC TIME SWITCHES WIRING DIAGRAMS

<http://waterheatertimer.org/Tork-timers-and-manuals.html>



## TZ300L

When single line source is used, jumper terminals 1-5-7-9 and connect all commons to terminals 2 and 3.



## TZ220L

Wiring shown is for mechanically-held contactors. Use CLOSE terminal only for magnetically-held contactors and to control direct loads not exceeding 2000 watts.