

# KM2 Series

## 24-Hour and 7 Day

### Compact Electromechanical

### Time Switch Modules

The KM2 series are innovative compact electromechanical timers with the precision, quality and performance that have made Grasslin timers famous worldwide.

For OEM applications, it is sized to fit even the smallest available space. Ideal for controlling lights or fans, for security, HVAC, pumps, and other loads. With its robust 2HP, 21Amp resistive switch rating, the KM2 series are small, but powerful.



KM2 STuH (24-Hour Model)

#### FEATURES

- Smallest electromechanical timer available. 30% smaller dial face than FM/1 series
- 120VAC input
- SPDT Switch
- 21A-120/250VAC resistive 2HP, 240V; 1HP, 120V
- 24-hour program—20 min. increment
- 7-day program—2hrs. 20 min. increments
- 3-way manual override: ON-AUTO-OFF

- Size: 1.67" x 2.64" x 1.67"
- 1/4" quick connect terminals
- UL Recognized, CSA Certified

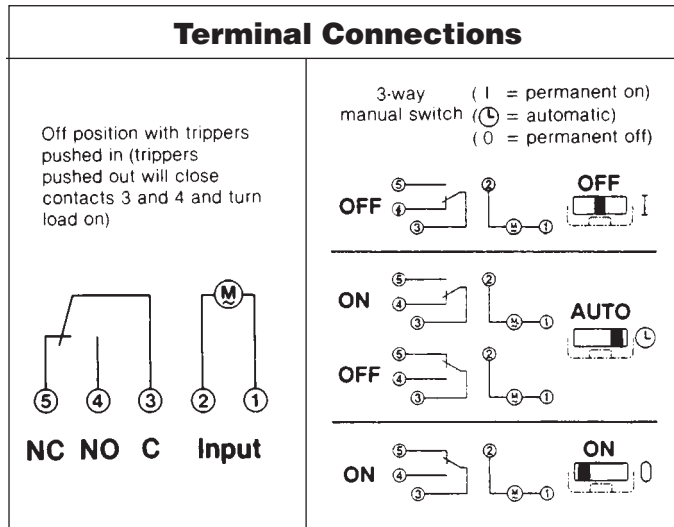
#### ACCESSORIES

- Clear plastic dial cover
- Rear facing quick connect adapter

*It's Time to Switch!*

| Ordering Data | Operating Features |         |                      |                         |        |          |
|---------------|--------------------|---------|----------------------|-------------------------|--------|----------|
|               | Switch Program     | Reserve | Program On/Off Every | Shortest Switching Time | Switch |          |
|               |                    |         |                      |                         | Type   | Rating   |
| KM2 STuH-120  | 24 hr.             | No      | 20 min.              | 20 min.                 | SPDT   | 21A res. |
| KM2 SWuH-120  | 7 day              | No      | 2 hr. 20 min.        | 2 hr. 20 min.           | SPDT   | 21A res. |

All models 120 VAC. Other voltages available upon request.



### INSTALLATION

KM2 models can be flush mounted. Optional clear plastic cover for time dial is available.

### APPLICATIONS

The KM2 series of time switches are designed for control of heating, ventilating, air conditioning, refrigeration, lighting, security, circulating pumps, spas or any electrical load requiring 24-hour or 7-day scheduling.

### TECHNICAL DATA

Supply Voltage: 120V, 60Hz

Switch Type: SPDT

Switch Rating: Resistive: 21A @ 250  
1HP @ 125VAC  
2HP @ 250VAC  
Inductive: 8A @ 250VAC  
Tungsten: 1350W @ 240VAC

Minimum Switching Current: 100mA (20V)

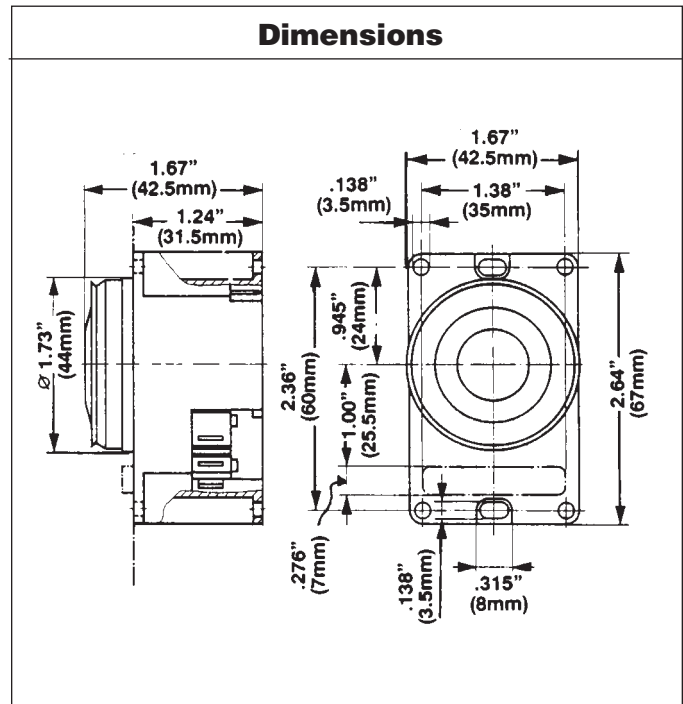
Power Consumption: Approx. 1VA

Ambient Temperature Range: -40°F to 185°F (-40°C to 90°C)

Terminals: 1/4" spade terminals

Weight: Approx. 2.5oz.

Listings: UL Recognized: File E83486  
CSA certified: File LR52379



Distributed by: