

IN-WALL

TIMER

MECHANICAL



Model 59017 Daily Mechanical Timer

Before using your timer, please read the following instructions carefully.

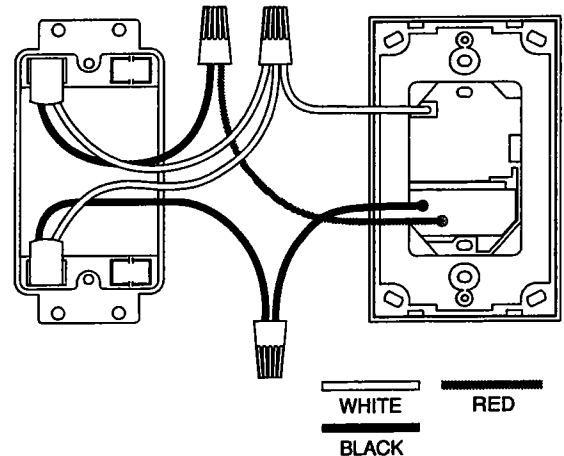
INSTALLATION

WARNING: INSTALLATION SHOULD BE MADE BY A LICENSED ELECTRICIAN.

WARNING: TO AVOID FIRE, SHOCK, OR DEATH, TURN OFF POWER AT CIRCUIT BREAKER AND TEST THAT POWER IS OFF BEFORE WIRING.

Note: Neutral wire is required for this timer to function.

This timer is not compatible for 3-way switches.



1. Turn power OFF at the circuit breaker or remove the fuse.
2. Remove existing wall plate and switch, if applicable. Please note two black wires connected to switch.
3. Ensure neutral (white) wire is present in the junction box. If this wire is not present, additional wiring will be necessary before installation can be completed.
4. Strip 3/8" insulation from each wire, which is required for installation.
5. Connect the white wire from the timer to the white wire(s) in the junction box. Secure connection using the wire connector (orange) included in the package.
6. Connect the black wire from the timer to the HOT wire (previously connected to the switch) and connect the red wire from the timer to the second wire (previously connected to the switch). Note: If not sure which wire is HOT, connect black wire from timer to one of the black wires, previously connected, and the red wire from timer to the second black wires (previously connected to the switch). Secure connections with wire connectors.
7. Carefully shift all wires to provide room for timer in the junction box.
8. Secure timer to box with screws included, and install cover plate.
9. Reconnect your electrical power.

Note: If the timer is not functional, interchange two black wires previously connected to switch (see #6 above).

FOR INDOOR USE ONLY. DO NOT EXCEED RATED CAPACITY.

INSTRUCTIONS

1. To set the current time, rotate the dial until the time lines up with the TIME NOW arrow.
2. To program the timer, push the pins outward for the periods of time you want the timer to be ON and push the pins in toward the center dial for the periods of time you want the timer to be OFF.
3. Set the switch on the front of the timer to TIMER.
4. To override the timed settings, move the switch on the front of the timer to MANUAL.

Electrical Rating

125V / 60Hz 20A /2500W Resistive (general purpose) / 1 HP



Coleman Cable, Inc.
Waukegan, IL 60085
© 2008 Coleman Cable, Inc.
Printed in China