

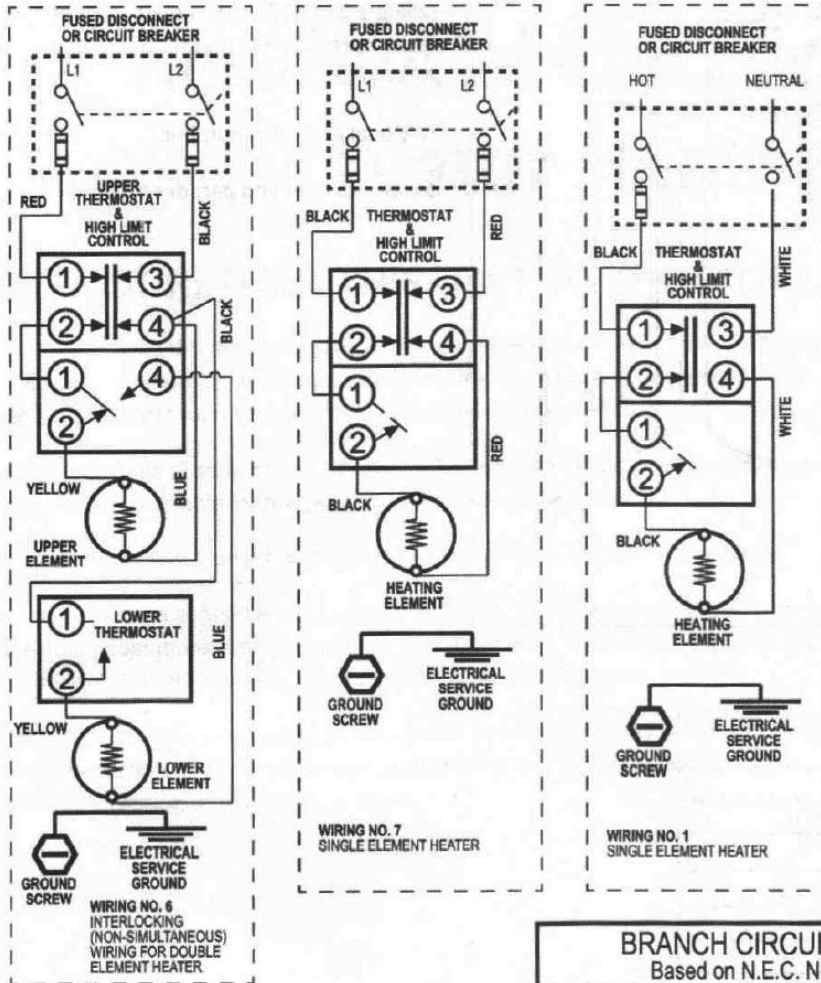
Illustrations below show 2012 wiring diagrams.

Older water heaters from Whirlpool will have different color wires, but wiring is identical.

# DIAGRAMS

## Whirlpool Electric water heater 2012

### Thermostat Wiring Diagram



Older water heaters will have different color wiring, but will be wired the same.

BRANCH CIRCUIT SIZING GUIDE						
Based on N.E.C. NFPA NO. 70 - 1999						
WATT LOAD	Recommend Over Current Protection Rating			Copper Wire Size AWG Based on N.E.C. Table 310 -16 (60°C)		
	120 V	208 V	240 V	120 V	208 V	240 V
1500*	15	15	15	12	14	14
2000	20	15	15	10	14	14
2500	30	15	15	10	14	14
3000	30	20	15	8	12	12
3500	-	20	20	-	10	12
4000	-	25	20	-	10	10
4500	-	30	25	-	10	10
5000	-	30	30	-	10	10
5500	-	35	30	-	8	10
6000	-	35	30	-	8	8
9000	-	50	45	-	6	6
12000	-	70	60	-	3	4

\* Wattages less than 1500 may be wired 14 gauge with 15 amp protection

DIAGRAMS