

W SERIES

7 DAY TIME SWITCHES

DIFFERENT SCHEDULES EACH DAY

APPLICATIONS

- Heating
- Air Conditioning
- Display Lighting
- Ventilating
- Lighted Signs
- Storefront Lighting

SPDT switches provide for control of mechanically-held contactors.

SPECIFICATIONS

Offers the easiest and most accurate setting of any 7 day Time Switch by means of unique combination ON-OFF trippers, distinctive time indicator and trigger action switch tripping mechanism.

CONTACT RATINGS:

- 40 Amp. Tungsten, 120 VAC
- 40 Amp. Resistive, 120-277 VAC Single Phase
- 40 Amp. General Purpose, 120-277 VAC Single Phase
- 20 Amp. Inductive 120 VAC, 277 VAC Single Phase
- 1000 VA Pilot Duty 120-277 VAC.
- 2 HP (24 FLA) 120 VAC; 5 HP (28 FLA) 240 VAC

TIMING MOTOR: Heavy duty synchronous, self-starting high torque. Power Consumption: 3 watts.

OPTIONAL RESERVE POWER: Keeps dial on time up to 24 hours during power outage (16 hours on 4PST models). Add suffix L to model number. Power Consumption: 5 watts.

AUTOMATIC OPERATION: Minimum ON setting: 1 Hour. Minimum OFF setting: 2 Hours. (8 hours between 2 OFF settings). Models W400A and W402A offer minimum ON/OFF settings of 3½ hours. 7 day calendar dial accommodates up to 2 pairs of ON-OFF removable Trippers per day – 7 pairs are supplied. Dial markings in English, French & Spanish.

TEMPORARY MANUAL OVERRIDE: Standard.

OPERATING TEMPERATURE RANGE: -40° to +165°F. (-40° to +74°C.)

ENCLOSURE: See page 27 for dimensions. Surface: General Purpose (NEMA 1). Deep-drawn Steel, beige enamel, lockable hasp, with combination ½" & ¼" K.O.'s on both sides and bottom.

OTHER MOUNTINGS: *When ordering special enclosures ONLY, please use model number.
Indoor /Outdoor Metal – NEMA Type 3 (Suffix O) – Model 9006*
Flush Mount with lock and key – NEMA Type 1: (suffix FL5) – Model 9005*
Bracket mounting – specify mechanism only with bracket.



W SERIES



CAT NO	UPC CODE	SWITCH	AMPS	HP RATING	MOTOR: AC VOLTAGE	FREQUENCY Hz
W100	30001	SPST	40	2	120	60
W200	31001	DPST	40	2	120	60
W202	31011	DPST	40	5	208-277	60
W300	32001	3PST	40	2	120	60
W302	32002	3PST	40	5	208-277	60
W120	33001	SPDT	40	2	120	60
W220	34001	DPDT	40	2	120	60
W222	34011	DPDT	40	5	208-277	60
W400A	35001	4PST	40	2	120	60
W402A	35002	4PST	40	5	208-277	60

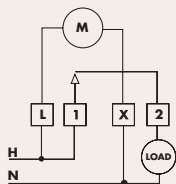
WITH RESERVE POWER

W300L	39005	3PST	40	2	120	60
W302L	39006	3PST	40	5	208-277	60
W220L	39009	DPDT	40	2	120	60
W222L	39010	DPDT	40	5	208-277	60
W400AL	39007	4PST	40	2	120	60

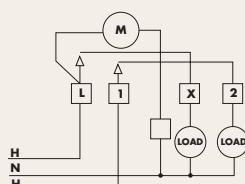
24 VOLT IN ALL MODELS AVAILABLE ON SPECIFICATION.

WIRING DIAGRAMS

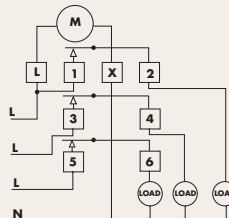
W100 (SPST)



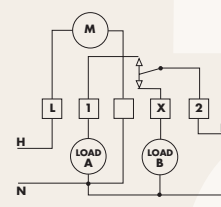
W200 (DPST)



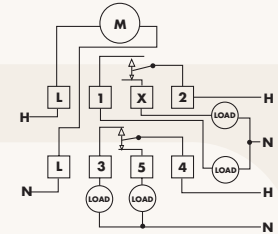
W300 (3PST)



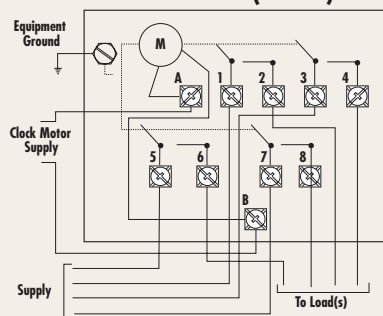
W120 (SPDT)



W220 (DPDT)



W400A (4PST)



SPECIFICATION WRITER'S GUIDE W SERIES

Furnish and install where shown TORK Time Switch of the 7 day type, powered by a self-starting synchronous motor, capable of being set for different ON-OFF times each day of the week, to an operating accuracy of plus or minus 15 minutes of the desired time. Time Switch contacts shall be capable of switching 40 amperes per pole continuously at 277 volts and shall be SPST (DPST, 3PST, DPDT, SPDT, 4PST as required). Removable ON-OFF trippers shall make possible automatic operation with a minimum ON period of one hour and a minimum of 2 hours between one OFF operation and the next ON. Models W400 and W402 offer minimum ON and OFF settings of 3-1/2 hours. Enclosure shall be NEMA 1 surface, finished in baked beige enamel, with combination 1/2" - 3/4" knock-outs on bottom and both sides. Provision shall be made for positive padlocking. Terminals shall be capable of receiving #8 AWG wire. Time Switch shall be TORK Model W___ (to fit requirement).
FOR RESERVE POWER (Add suffix L): Spring-driven reserve shall be provided sufficient to operate the Time Switch contacts at least 24 hours after power failure (16 hour reserve power on 4PST models). On restoration of power, Time Switch shall transfer to synchronous motor driven and automatically rewind reserve power unit.