

TW SERIES

7 DAY TIME SWITCHES

DIFFERENT SCHEDULES EACH DAY WITH MANUAL BYPASS SWITCHES RESERVE POWER STANDARD

APPLICATIONS

- Heating
- Air Conditioning
- Display Lighting
- Ventilating
- Lighted Signs
- Storefront Lighting

NOTE: All models are designed to control a contactor circuit and not recommended for direct switching of most lighting loads.

SPECIFICATIONS

CONTACT RATINGS: Tungsten rated at 277V.
20 Amps per circuit,
2 HP at 120V, 5 HP at 240V.

MANUAL BY-PASS SWITCHES: Single pole, 20 Amps – one per circuit.
Factory prewired to terminal strip.
ON-OFF-AUTO positions for each circuit is independent – will not disturb automatic settings.

TIMING MOTOR: Heavy duty self-starting, synchronous motor with 24 hour spring driven Reserve Power standard. Power Consumption: 5 watts.

AUTOMATIC OPERATION: Minimum ON setting: 1 Hour. Minimum OFF setting: 2 Hours. 7 day calendar dial accommodates up to 2 pairs of ON-OFF removable Trippers per day – 7 pairs are supplied.

OPERATING TEMPERATURE RANGE: -40° to +165°F. (-40° to +74°C.)

ENCLOSURE: See page 27 for dimensions. General Purpose (NEMA 1), beige enamel, lockable hasp, with combination ½" & ¾" K.O.'s on both sides and bottom. Optional "E" door [specify] available to replace standard removable cover when access to external by-pass switches is required.

OTHER MOUNTINGS: *When ordering special enclosures ONLY, please use model number.
Indoor /Outdoor Metal – NEMA Type 3 (Suffix O) – Model 9006*
Flush Mount with lock and key – NEMA Type 1: (suffix FL5) – Model 9005*



TW SERIES

**OPTIONAL
"E" COVER**



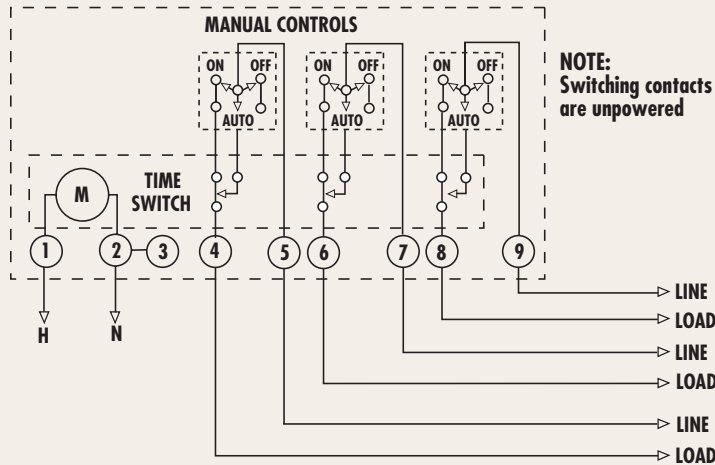
| CAT NO | UPC CODE | SWITCH | AMPS | H.P RATING | MOTOR AC VOLTAGE | MOTOR: Hz | MOTOR PART NO |
|---------|----------|--------|------|------------|------------------|-----------|---------------|
| TW-220L | 39013 | DPDT | 20 | 2 | 120 | 60 | 36 |
| TW-222L | 39014 | DPDT | 20 | 5 | 208-277 | 60 | 46 |
| TW-300L | 39015 | 3PST | 20 | 2 | 120 | 60 | 36 |
| TW-302L | 39016 | 3PST | 20 | 5 | 208-277 | 60 | 46 |

24 VOLT IN ALL MODELS AVAILABLE ON SPECIFICATION.

Add E suffix denoting extra case cover for external by-pass switches, to replace standard removable cover (only available for surface type enclosure).

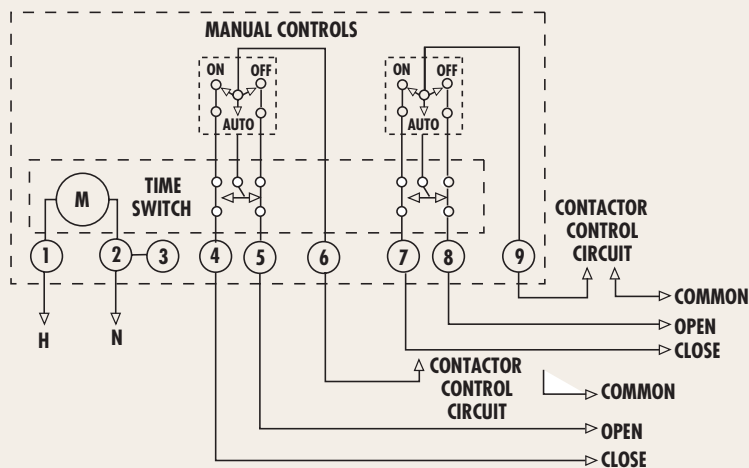
TW SERIES: NOTE: All models are designed to control a contactor circuit and not recommended for direct switching of most lighting loads. MANUAL BY-PASS SWITCHES: Single pole, 20 Amps – one per circuit. Factory prewired to terminal strip. ON-OFF-AUTO positions for each circuit is independent – will not disturb automatic settings.





TW300L

When single line source is used, jumper terminals 1-5-7-9 and connect all commons to terminals 2 and 3.



TW220L

Wiring shown is for mechanically-held contactors. Use CLOSE terminal only for magnetically-held contactors and to control direct loads not exceeding 2000 watts.

SPECIFICATION WRITER'S GUIDE TW SERIES

Furnish and install where shown a TORK Time Switch of the 7 day type, capable of being set for different ON-OFF times each day of the week, to an operating accuracy of plus or minus 15 minutes of the desired time. The Time Switch shall be powered by a self-starting synchronous motor with spring-driven reserve, which shall be sufficient to operate the Time Switch contacts at least 24 hours after power outage. On restoration of power, Time Switch shall transfer to synchronous motor drive and automatically rewind reserve power unit. Time Switch shall provide for automatic operation with a minimum of one hour between an ON-OFF operation with minimum of four ON-OFF operations per day. ON-OFF operations shall be accomplished by removable ON-OFF trippers on the dial. Time Switch contacts shall be capable of carrying a minimum 20 amperes per pole continuously at 277 volts and shall be DPDT or 3PST. Manual switches shall be provided as an integral part of the Time Switch, one for each pole, and shall permit manual switching to maintained ON or OFF positions until manually returned to AUTOMATIC position. Terminal strip shall be capable of receiving #10 AWG wires. Enclosure shall be NEMA 1 surface type, finished in beige enamel, and with 1/2" - 3/4" combination knock-outs on bottom, both sides and top. Provision shall be made for positive padlocking. (Specify "E" door for manual switches to be accessible when case is locked). Shall be TORK Model TW (to fit switch requirement) or equal in general purpose NEMA 1, (general purpose metal) or (Indoor/Outdoor NEMA 3) enclosure.