

# T900 SERIES 2 & 3 CIRCUIT LIGHTING CONTROL CENTERS

**COMBINES PHOTOELECTRIC AND  
7 DAY TIME SWITCH CONTROL  
DIFFERENT SCHEDULES EACH DAY,  
RESERVE POWER STANDARD**

## APPLICATIONS

- Use for general outdoor lighting such as parking lot and displays: Dusk-ON, Preset-OFF (Photoelectric control-ON, time Switch-OFF).
- Use for all night safety or security lighting: Dusk-ON, Dawn-OFF (Photoelectric control-ON, Photoelectric control OFF).
- Use for indoor lighting or HVAC: Preset-ON, Preset-OFF (Time Switch-ON, Time Switch-OFF).

**NOTE: All models are designed to control a contactor circuit and are not recommended for direct switching of most lighting loads.**



**MODEL  
2101 IS  
SUPPLIED  
WITH UNIT**

**OPTIONAL  
"E" COVER**



## CONTROLS 2 OR 3 CIRCUITS:

- CIRCUIT 1:** ON automatically at dusk, OFF at individual preset times each day, including skipping days when desired. Can be set to turn ON before dawn for early morning lighting.
- CIRCUIT 2:** ON at dusk, OFF at dawn automatically, daily.
- CIRCUIT 3:** Individual daily ON and OFF settings at desired times, including skipping any desired day or days.

## SPECIFICATIONS

**CONTACT RATINGS:** 20 Amps per Pole, 24-277 VAC (unpowered)

**MANUAL BY-PASS SWITCHES:** Single pole, 20 Amps – one per circuit. Factory pre-wired to terminal strip. ON-OFF-AUTO positions for each circuit independently & will not disturb automatic settings.

**TIMING MOTOR:** Heavy duty, self-starting synchronous motor with 24 hour spring driven reserve power standard. Power Consumption: 5 watts.

**AUTOMATIC OPERATION:** Minimum ON setting: 1 Hour. Minimum OFF setting: 2 Hours. 7 day calendar dial accommodates up to 2 pairs of ON-OFF removable trippers per day – 7 pairs are supplied.

**OPERATING TEMPERATURE RANGE:** -40° to +165°F. (-40° to +74°C.)

**ENCLOSURE:** See page 27 for dimensions. General Purpose (NEMA 1) – Steel beige enamel, lockable hasp, with combination 1/2" - 3/4" K.O.'s on both sides, top and bottom. Optional "E" door (specify) available to replace standard removable cover when access to external by-pass switches are required.

**OTHER MOUNTINGS:** \*When ordering special enclosures ONLY, please use model number.

Metal Indoor/Outdoor NEMA 3: (suffix O) – Model 9006\*

Flush with lock & key – NEMA 1: (suffix FL5) – Model 9005\*

Bracket Mounting – specify unit without case.

CAT NO	UPC CODE	TYPE	AMPS	RESERVE POWER MOTOR:		
				AC VOLTAGE	HZ	PART #
T920L	41033	2 circuit	20	120	60	36
T930L	41055	3 circuit	20	120	60	36

NOTE 1: Adding E suffix denotes case cover for external accessibility of by-pass switches, available for surface enclosure only.

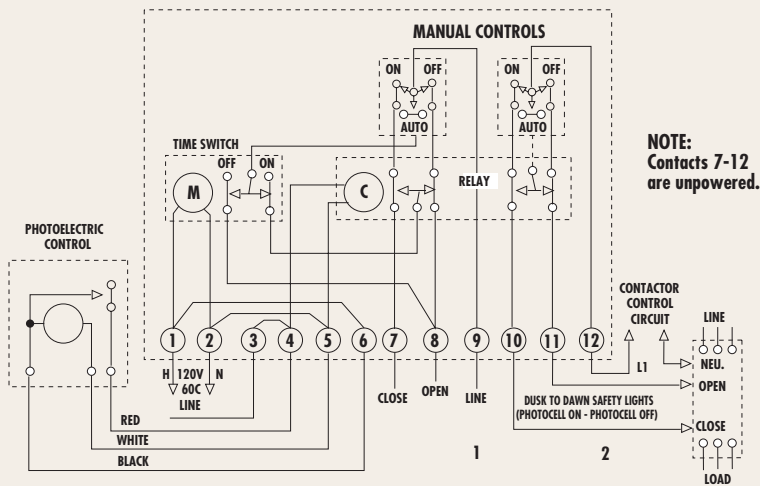
NOTE 2: All models designed to control mechanically-held and magnetic contactors, when wired in accordance with manufacturers recommendations. **Contacts are unpowered control circuits rated for 24-277V contactor coils.** See notes on wiring schematics.

NOTE 3: For momentary Contact of contactor coils, use TORK Model SMC-3D, in our Digital Controls Catalog.

## WIRING DIAGRAMS

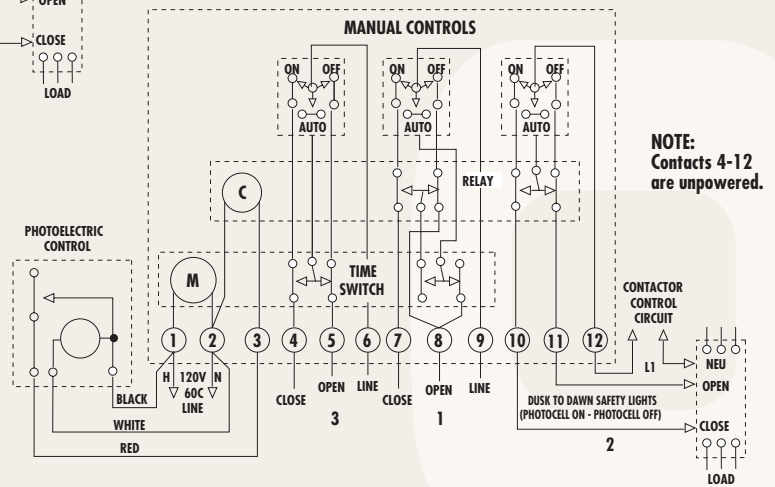
### T920L

ONLY CIRCUITS 1 AND 2 ARE INCLUDED IN T920L



### T930L

ALL 3 CIRCUITS ARE INCLUDED IN T930L



## SPECIFICATION WRITER'S GUIDE T900 SERIES

Furnish and install where shown a TORK Photo/Time Control of the 7 Day Calendar dial type, which shall be suitable to operate mechanically-held contactor(s). Photo/Time Control shall be prewired to a central terminal block which provides connecting terminals for Photocontrol and independent contactor control circuit(s). Time Switch shall function to prevent energization of lighting for preset periods each day. Time Switch dial shall permit different ON-OFF settings for each day of the week, with provision for omitting selected days. Control shall include prewired manual switching for each contactor circuit specified. Enclosure shall be NEMA 1 surface. Photocontrol to be remotely installed in appropriate outside location. It shall be fully temperature compensated and shall provide for time delay of at least 15 seconds to prevent false switching. Photocontrol shall operate control center to energize whenever natural lighting falls below 1.5 - 5.5 foot candles turn on. Spring driven reserve timing motor shall be provided sufficient to operate time switch controls at least 24 hours after power failure. On restoration of power, time switch shall transfer to synchronous motor drive and automatically rewind reserve power unit. FOR DUSK-TO-DAWN LIGHTS: Control shall provide additional contactor circuit to above specifications except that it shall be responsive to Photocontrol only. Tork Model T-920L or equal. FOR PRESET ON/PRESET OFF: Control shall provide for additional contactor circuit to above specification except that it shall be responsive to time switch only. Tork Model T-930L.