

T900 SERIES

PHOTOELECTRIC & 7 DAY CONTROL COMBO
DIFFERENT SCHEDULES EACH DAY
RESERVE POWER STANDARD
2 & 3 CIRCUIT LIGHTING
CONTROL CENTERS



CALIFORNIA Title 24

ASHRAE 90.1



Optional "E" cover



Model 2101
supplied with unit.

APPLICATIONS

- Parking lot lighting
- HVAC
- Display lighting
- Security lighting
- Lighted signage
- Storefront lighting

FEATURES

SCHEDULING:

CIRCUIT 1: ON automatically at dusk, OFF at individual preset times each day, including skipping days when desired. Unit can be set to turn ON before dawn for early morning lighting.

CIRCUIT 2: ON at dusk, OFF at dawn automatically, daily.

CIRCUIT 3: Individual daily ON and OFF settings at desired times, including skipping any desired day or days. Minimum ON is setting 1 hour with a minimum OFF setting of 2 hours. Minimum 8 hours between 2 OFF settings. 7 day calendar dial will accommodate up to 2 pairs of ON-OFF trippers per day – 7 pairs are supplied.

SKIP-A-DAY: Omit operations on any day.

MANUAL BY-PASS SWITCHES: Single pole, 20 Amps – one per circuit. Factory pre-wired to terminal strip. ON/OFF/AUTO positions for each circuit is independent – will not disturb automatic settings.

RESERVE POWER: Standard feature on all models keep dial on time up to 24 hours during power outage.

NOTE: All models are designed to control a contactor circuit and are not recommended for direct switching of most lighting loads.

ORDERING INFO

CATALOG NO.	UPC CODE	INPUT SUPPLY (VAC) 60Hz	OUTPUT CONTACTS	ENCLOSURE TYPE
T920L	41033	120	2 SPDT	Metal Indoor NEMA 1
T920L-E	41034	120	2 SPDT	Metal Indoor NEMA 1 with switch access
T920L-O	41035	120	2 SPDT	Metal Indoor/outdoor NEMA 3
T930L	41055	120	3 SPDT	Metal Indoor NEMA 1
T930L-E	41056	120	3 SPDT	Metal Indoor NEMA 1 with switch access
T930L-O	41057	120	3 SPDT	Metal Indoor/outdoor NEMA 3
Replacement Trippers		#P69 for 7 pairs of ON/OFF trippers.		
Replacement Motor		#36 (120V)		
Replacement Bypass Switch		#66061		

SPECIFICATIONS

INPUT VOLTAGE: 120 or 208-277VAC, 60 Hz, varies by model.

TIMING ACCURACY: Line frequency.

TERMINAL RANGE: #8 - #14AWG.

OPERATING TEMPERATURE: -40° to 165°F (-40° to +74°C).

POWER CONSUMPTION: 5 watts maximum.

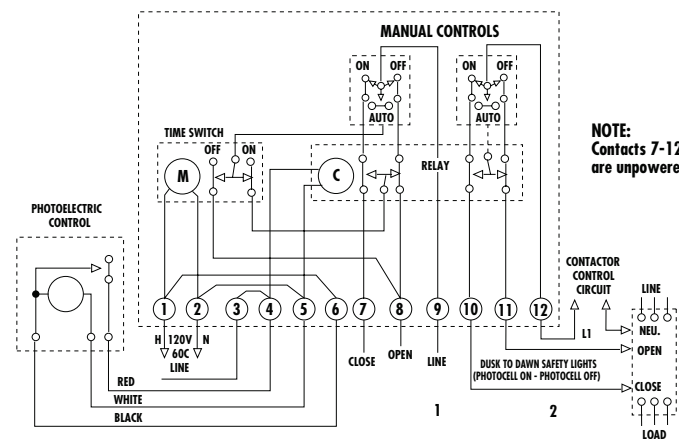
ENCLOSURE: Indoor NEMA 1 Metal with lockable hasp. Other enclosures include cover for access to by-pass switches with suffix "E" or Indoor/Outdoor NEMA 3 metal with suffix "O" (see page 153 for enclosure dimensions).

CONTACT RATINGS

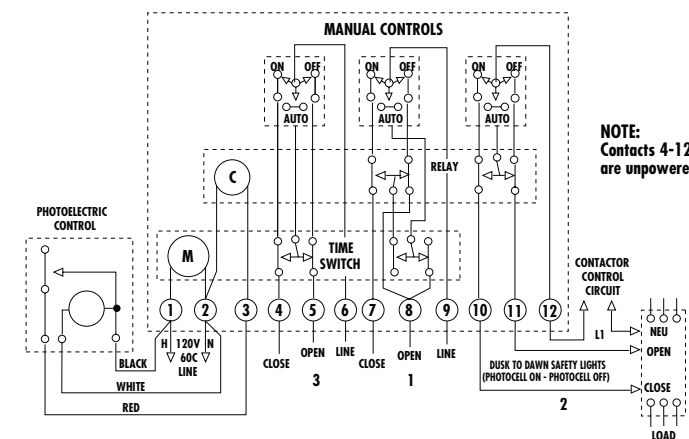
TYPE	VOLTAGE	CONTACT RATING
General Purpose	120/277VAC	20A
Motor	120VAC	1HP
	240VAC	2HP

WIRING DIAGRAMS

T920L
ONLY CIRCUITS 1 AND 2 ARE INCLUDED IN T920L



T930L
ALL 3 CIRCUITS ARE INCLUDED IN T930L



SPECIFICATION WRITER'S GUIDE

T900 SERIES – Furnish and install, where shown, a TORK Photo/Time Control of the 7 Day Calendar dial type, which shall be suitable to operate mechanically-held contactor(s). Photo/Time Control shall be pre-wired to a central terminal block which provides connecting terminals for Photocontrol and independent contactor control circuit(s). Time switch shall function to prevent energization of lighting for preset periods each day. Time switch dial shall permit different ON/OFF settings for each day of the week, with provision for omitting selected days. Control shall include pre-wired manual switching for each contactor circuit specified. Enclosure shall be NEMA 1 surface. Photocontrol to be remotely installed in appropriate outside location. It shall be fully temperature compensated and shall provide for time delay of at least 15 seconds to prevent false switching. Photocontrol shall operate control center to energize whenever natural lighting falls below 1.5 - 5.5 foot candles turn on. Spring driven reserve timing motor shall be provided sufficient to operate time switch controls at least 24 hours after power failure. On restoration of power, time switch shall transfer to synchronous motor drive and automatically rewind reserve power unit. FOR DUSK-TO-DAWN LIGHTS: Control shall provide additional contactor circuit to above specifications except that it shall be responsive to Photocontrol only. Tork Model T-920L or equal. FOR PRESET ON/PRESET OFF: Control shall provide for additional contactor circuit to above specification except that it shall be responsive to time switch only. Tork Model T-930L.