

SS700Z & SS721Z SERIES

SUNSET / SUNRISE, ASTRONOMIC 7 DAY IN-WALL TIMER



NEW!



CALIFORNIA Title 24

ASHRAE 90.1

With wall plate (not included)

APPLICATIONS



- Outdoor security lighting
- Interior lights for lived-in look
- Fans and motors
- Appliances

BACKUP WITHOUT BATTERY, ECO FRIENDLY!

SPECIFICATIONS

TIMING ACCURACY: Line frequency.

INPUT VOLTAGE: 120/277VAC, 50/60Hz.

WIRE SIZE: #12AWG input/output - #16AWG 3-way (remote).

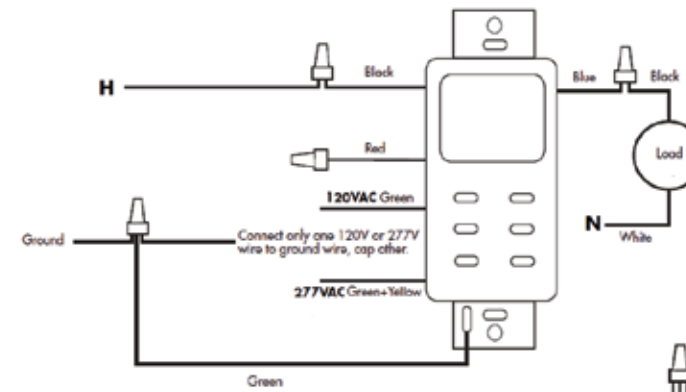
OPERATING TEMPERATURE: 32°F to +104°F (0°C to + 40°C).

CONTACT RATINGS

TYPE	SS700Z SERIES		SS721Z SERIES	
	RATING	VOLTAGE	RATING	
Resistive	16A	120/277VAC	16A	
Ballast	10A	120/277VAC	13A	
Tungsten	8A	120VAC	8A	
Pilot Duty	360VA	120VAC	720VA	
Motor	1/2HP	120VAC	1HP	

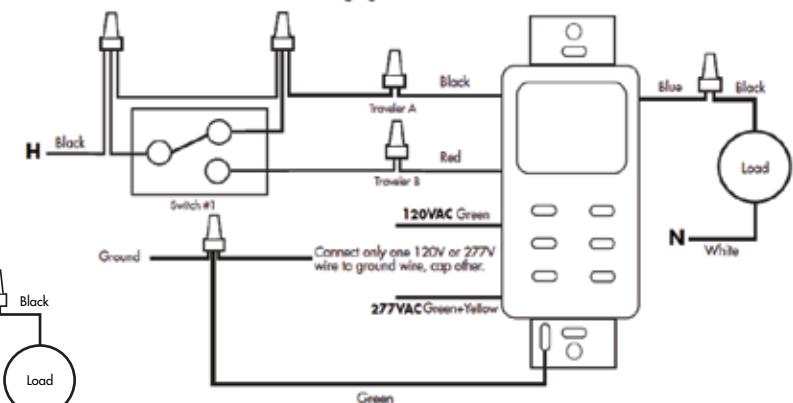
WIRING DIAGRAMS

WIRING DIAGRAM: INSTALLATION SS700Z

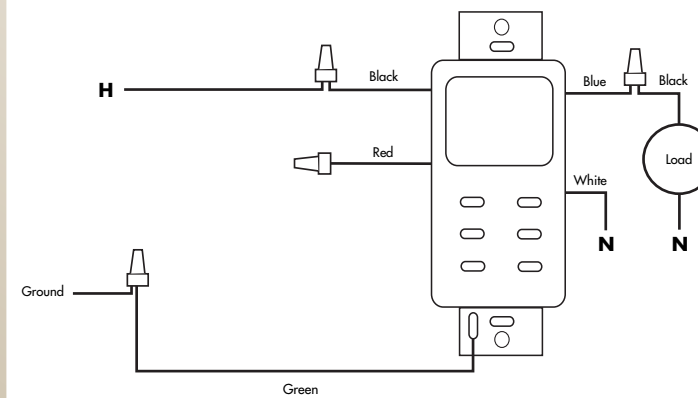


WIRING DIAGRAM: THREE-WAY INSTALLATION SS700Z

Connect a wire inside the gang-box between Traveler A and Hot.

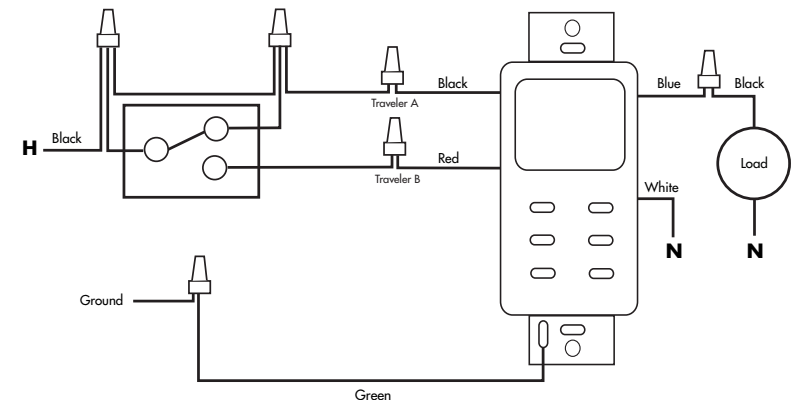


WIRING DIAGRAM: INSTALLATION SS721Z



WIRING DIAGRAM: THREE-WAY INSTALLATION SS721Z

Connect a wire inside the gang-box between Traveler A and Hot.



ORDERING INFO

CATALOG NO.	UPC CODE	INPUT SUPPLY (VAC) 50/60 Hz	SWITCH TYPE	COLOR
SS700Z	14019	120/277	SPST	White
SS700ZA	14020	120/277	SPST	Light Almond
SS721Z	14027	120/277	SPST	White
SS721ZA	14028	120/277	SPST	Light Almond

FEATURES

SCHEDULING: 10 ON and OFF pairs of set points for individual programs on each day of the week. 11 day groups speed programming. Minimum setting is 1 minute.

ASTRONOMIC: Sunset and sunrise times are adjustable from 10° - 60° Northern or Southern latitudes. Can be individually offset +/- 1-240 minutes for earlier or later operation.

RANDOM MODE: Varies ON and OFF times to create lived in look when away.

DAYLIGHT SAVING: Automatic adjustment (can be omitted).

LEAP YEAR: Automatic Compensation.

MANUAL OVERRIDE: Until the next regularly scheduled ON or OFF, automatic operation then resumes.

MANUAL MODE: Does not run programs until set to AUTO (automatic) mode.

VACATION MODE: No operation when away.

EASY WIRING: **SS700Z** does not require a neutral, can be used as a 3-way switch. **SS721Z** Requires a neutral, can be used as a 3-way switch.

CLOCK FORMAT: AM/PM.

POWER OUTAGE BACKUP: Permanent schedule retention. Supercapacitor provides 2 days of real time backup.

COMMERCIAL GRADE SPECS: Control lighting contactors and 277VAC loads. Compatible with CFL lamps.

