

## 8000 SERIES

MULTIPLE ON/OFF CYCLES PER DAY  
**REPEATING VARIABLE CYCLE**  
**TIME SWITCH**



### APPLICATIONS



- Duty cycling
- Ventilating fans
- Pumping
- Irrigation
- Process control
- Laboratory experiments
- For one or many daily ON/OFF operations.

### FEATURES

**SCHEDULING:** 60 captive tabs per dial with minimum ON/OFF settings:

- 60 minute dial with 1 minute tabs.
- 30 minute dial with 30 second tabs.
- 12 minute dial with 12 second tabs.
- 6 minute dial with 6 second tabs.

**DUTY CYCLE:** Settings of 1/60 th of dial speed.

### ORDERING INFO

CATALOG NO.	UPC CODE	INPUT SUPPLY (VAC) 60Hz	OUTPUT CONTACTS	TYPE
8601	70034	120	SPDT	60 Minute
8301	70033	120	SPDT	30 Minute
8121	70032	120	SPDT	12 Minute
8061	70031	120	SPDT	6 Minute

Replacement Motor For 8601 #102, for 8301 #108, for 8121 #107, and for 8061 #105.

Replacement Trippers #P49 for a pair with one ON and one OFF per dial for additional ON/OFF trippers per dial order #P47. 3 omitting screws #53005 supplied.

### SPECIFICATIONS

**INPUT VOLTAGE:** 120VAC, 60Hz.

**TIMING ACCURACY:** Line frequency.

**TERMINAL RANGE:** #8 - #14AWG.

**OPERATING TEMPERATURE:** -40° to 165°F (-40° to +74°C).

**POWER CONSUMPTION:** 3 watts maximum.

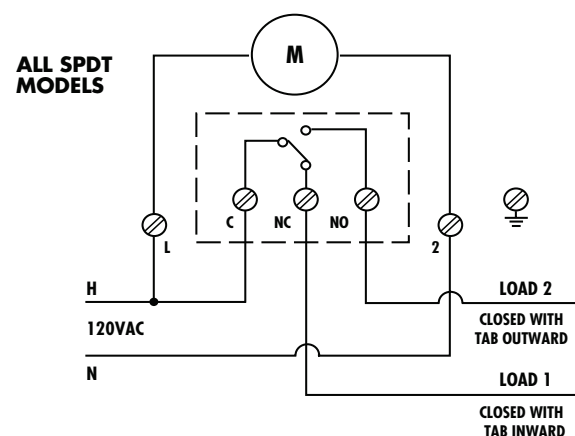
**REPLACEMENT TRIPPERS:** #P49 for a pair with one ON and one OFF per dial for additional ON/OFF trippers per dial order #P47. 3 omitting screws #53005 supplied.

**ENCLOSURE:** Indoor NEMA 1 Metal with lockable hasp (see page 153 for enclosure dimensions).

### CONTACT RATINGS

TYPE	VOLTAGE	CONTACT RATING
Resistive	120 or 240VAC 480VAC	20A 20A
Motor	120VAC	3/4 HP

### WIRING DIAGRAMS



## WH2

### 24 HOUR WATER HEATER TIME SWITCH



**SAVE ENERGY!**  
 Avoid utility peak rates  
 Turn off when not needed

### APPLICATIONS



- Automatic ON/OFF control of electric water heaters. Schedules the water heater to turn ON only when needed, avoiding energy waste when hot water is not needed.

### FEATURES

**SCHEDULING:** Minimum ON is setting 20 minutes with a minimum OFF setting of 75 minutes. Dial accommodates up to 12 pairs. 3 pairs of trippers supplied.

**EXTERNAL MANUAL OVERRIDE:** Until the next regularly scheduled ON or OFF automatic operation then resumes.

### ORDERING INFO

CATALOG NO.	UPC CODE	INPUT SUPPLY (VAC) 60Hz	OUTPUT CONTACTS	ENCLOSURE TYPE
WH2	70042	208-250	DPST	Metal Indoor NEMA 1

### SPECIFICATIONS

**INPUT VOLTAGE:** 208 – 250V 60 Hz.

**TIMING ACCURACY:** Line frequency.

**TERMINAL RANGE:** #8 - #14AWG.

**OPERATING TEMPERATURE:** -40° to 165°F (-40° to +74°C).

**POWER CONSUMPTION:** 3 watts maximum.

**ENCLOSURE:** Indoor NEMA 1 Metal with lockable hasp (see page 153 for enclosure dimensions).

### CONTACT RATINGS

TYPE	VOLTAGE	CONTACT RATING
Resistive	208-277VAC	40 A, 10,000W
Replacement Motor	#201 (208-277V)	
Replacement Trippers	Order #P47 for a pair of ON/OFF trippers	

### WIRING DIAGRAMS

