

8000 SERIES

MANY DAILY ON/OFF OPERATIONS PER DAY
DUTY CYCLE
 24 HOUR TIME SWITCH



8001-N

APPLICATIONS



- Duty cycling
- Ventilating fans
- Pumping
- Irrigation
- Process control
- Laboratory experiments
- For one or multiple daily ON/OFF operations.

ORDERING INFO

CATALOG NO.	UPC CODE	INPUT SUPPLY (VAC) 60Hz	OUTPUT CONTACTS	ENCLOSURE TYPE
8001	70001	120	SPDT	Metal Indoor NEMA 1
8001-N	70025	120	SPDT	Noryl® Indoor/Outdoor NEMA 3R
8001-NC	70009	120	SPDT	Noryl® Indoor/Outdoor NEMA 3R w/ clear Lexan® cover
8001-LC/WB	70010	120	SPDT	Mechanism and bracket
8001-O	70029	120	SPDT	Metal Indoor/Outdoor NEMA 3
8004	70002	208-277	SPDT	Metal Indoor NEMA 1
8001U	70003	480/120 Trans.	SPDT	Metal Indoor NEMA 1
NEW! 8001U-N	70014	480/120 Trans.	SPDT	Noryl® Indoor/Outdoor NEMA 3R
NEW! 8001U-O	70011	480/120 Trans.	SPDT	Metal Indoor/Outdoor NEMA 3
24 HOUR WITH 7 DAY OMIT				
8007	70005	120	SPDT	Metal Indoor NEMA 1
8007-O	70012	120	SPDT	Metal Indoor/Outdoor NEMA 3
8008	70006	208-277	SPDT	Metal Indoor NEMA 1
NEW! 8007U	70008	480/120 Trans.	SPDT	Metal Indoor NEMA 1
NEW! 8007U-O	70028	480/120 Trans.	SPDT	Metal Indoor/Outdoor NEMA 3
24 HOUR WITH 7 DAY OMIT & RESERVE POWER				
8007L	70015	120	SPDT	Metal Indoor NEMA 1
8008L	70016	208-277	SPDT	Metal Indoor NEMA 1
24 HOUR WITH 14 DAY OMIT				
8007V	70007	120	SPDT	Metal Indoor NEMA 1
24 HOUR WITH 14 DAY OMIT & RESERVE POWER				
8007VL	70017	120	SPDT	Metal Indoor NEMA 1

Replacement Motor #101(120V) & #201 (208-277V). For "L" models #36 (120V) & #46 (208-277V)

SPECIFICATIONS

INPUT VOLTAGE: 120, 208-277VAC or 480VAC, 60Hz, varies by model.

TIMING ACCURACY: Line frequency.

TERMINAL RANGE: #8 - #14AWG.

OPERATING TEMPERATURE: -40° to 165°F (-40° to +74°C).

POWER CONSUMPTION: 3 watts, 5 watts for "L" models maximum.

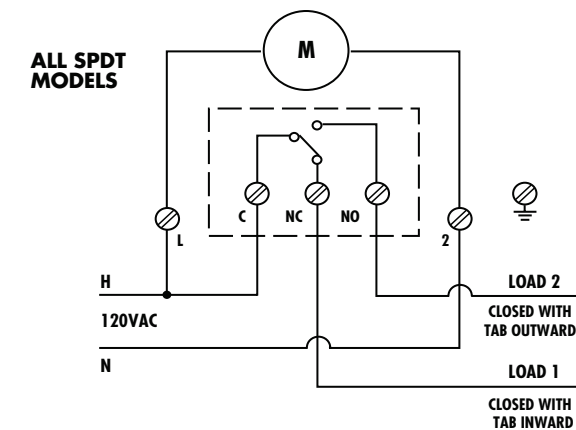
ENCLOSURE: Lockable hasp. Type varies by model (see page 153 for enclosure dimensions).

OTHER MOUNTINGS: Intermatic® Adaptor Plate model #IAP allows 8001 & 8004 to fit into an Intermatic case.

CONTACT RATINGS

TYPE	VOLTAGE	CONTACT RATING
Resistive	120 or 240VAC	20A
	480VAC	20A
Motor	120VAC	3/4 HP

WIRING DIAGRAMS



SPECIFICATION WRITER'S GUIDE

The time switches shall be of duty cycle type, capable of programming at 15 minute intervals of the day. Scheduled tabs shall be captive on the dial, and shall be easily set by hand without tools to obtain or to change the desired schedule. The switching condition shall be maintained when adjacent tabs are set alike. The unit shall be powered by a self-starting enclosed 120 (or 208-277) volt synchronous motor capable of continuous accurate operation. The switch mechanism shall be a self-contained unit rated at not less than 20 amps, 120 volts, single pole, double throw, and shall be readily replaceable in the field. FOR 8001 ADD: The time switch shall be similar and equal to Tork Model 8001. FOR 8007 AND 8007V ADD: An omitting device shall be furnished as an integral part of the time switch, to enable the switching operation to be skipped for any preselected day or days of the week. The time switch shall be similar and equal to Tork Model 8007 or (8007V.) FOR 8007L ADD: (Same description as for 8007). The unit shall incorporate an integral electrically wound spring reserve power unit, which shall power the clock mechanism for up to 16 hours on a power failure. The time switch shall be similar and equal to Tork Model 8007L. FOR 8001U: The unit shall be furnished with built-in 480-120V transformer to operate timing motor in parallel with 480 volt load. The time switch shall be Tork Model 8001U.