

# 7000 SERIES

## 24 HOUR TIME SWITCHES

### WITH SKIP-A-DAY FEATURE RESERVE POWER OPTIONAL



#### APPLICATIONS

Automatic ON-OFF control when operation is required at the same time every day, with optional versatility of one to six days omission.

- Lighting
- Heating
- Pumps
- Air Conditioning
- Signs

#### SPECIFICATIONS

##### CONTACT RATINGS:

- 40 Amp. Tungsten, 120 VAC
- 40 Amp. Resistive, 120-277 VAC Single Phase
- 40 Amp. General Purpose, 120-277 VAC Single Phase
- 20 Amp. Inductive 120 VAC, 277 VAC Single Phase
- 1000 VA Pilot Duty 120-277 VAC.
- 2 HP (24 FLA) 120 VAC; 5 HP (28 FLA) 240 VAC

**TIMING MOTOR:** Heavy duty synchronous self-starting high torque. Power Consumption: 3 watts.

**OPTIONAL RESERVE POWER:** Keeps dial on time up to 16 hours during power outage.  
Add suffix L to model number. Power Consumption: 5 watts.

**AUTOMATIC OPERATION:** Minimum ON setting: 20 minutes. Minimum OFF setting: 75 minutes. One pair of ON-OFF trippers supplied – accommodates up to 12 pairs. Dial markings are in English, French and Spanish.

**OMITTING DEVICE:** 7-spoke wheel marked with days of week – 3 omitting screws (P-14) supplied.

**TEMPORARY MANUAL OVERRIDE:** Standard.

**OPERATING TEMPERATURE RANGE:** -40° to +165°F. (-40° to +74°C.)

**ENCLOSURE:** See page 27 for dimensions. General purpose (NEMA 1). Drawn steel, beige enamel, with combination ½" and ¾" K.O.'s on sides, bottom and back. Lockable hasp. Removable cover provides exceptional accessibility for wiring and setting. Mechanism releases from case at finger touch for easy installation, **(except 3 Pole Models which include metal indoor/outdoor case as standard).**

**OTHER MOUNTINGS:** \*When ordering special enclosures **ONLY**, please use model number.

- Noryl® Indoor/Outdoor NEMA 3R: (suffix N) – Model 9000N\*
- Metal Indoor/Outdoor NEMA 3: (suffix O) – Model 9000A\*
- Flush, with lock and key: (suffix FL1) – Model 9001\*
- Flush, with lock and key, NEMA 1B for 3 pole: (suffix FL2) – Model 9002\*
- Duplex – 2 standard units in one indoor/outdoor NEMA 3 metal case except 3 pole: (suffix DUOL) – Model 9004L\*
- Bracket mounting – specify mechanism only with bracket.
- Intermatic® Adapter Plate Model IAP – allows any TORK 7000 model to fit into an Intermatic case without changing enclosure



CAT NO	UPC CODE	ENCLOSURE TYPE	SWITCH	AMPS	H.P. RATING	MOTOR: AC VOLTAGE	MOTOR: Hz
7100	10001	Metal Indoor	SPST	40	2	120	60
7102	10002	Metal Indoor	SPST	40	5	208-277	60
7200	11001	Metal Indoor	DPST	40	2	120	60
7202	11002	Metal Indoor	DPST	40	5	208-277	60
7300	12001	Metal Indoor/Outdoor	3PST	40	2	120	60
7302	12002	Metal Indoor/Outdoor	3PST	40	5	208-277	60
7120	13001	Metal Indoor	SPDT	40	2	120	60
7122	13002	Metal Indoor	SPDT	40	5	208-277	60
7220	14001	Metal Indoor	DPDT	40	2	120	60
7222	14002	Metal Indoor	DPDT	40	5	208-277	60

### WITH RESERVE POWER

7200L	19003	Noryl® Indoor/Outdoor	DPST	40	2	120	60
7202L	19004	Noryl® Indoor/Outdoor	DPST	40	5	208-277	60
7300L	19005	Metal Indoor/Outdoor	3PST	40	2	120	60
7302L	19006	Metal Indoor/Outdoor	3PST	40	5	208-277	60
7120L	19007	Noryl® Indoor/Outdoor	SPDT	40	2	120	60
7220L	19009	Noryl® Indoor/Outdoor	DPDT	40	2	120	60
7222L	19011	Noryl® Indoor/Outdoor	DPDT	40	5	208-277	60

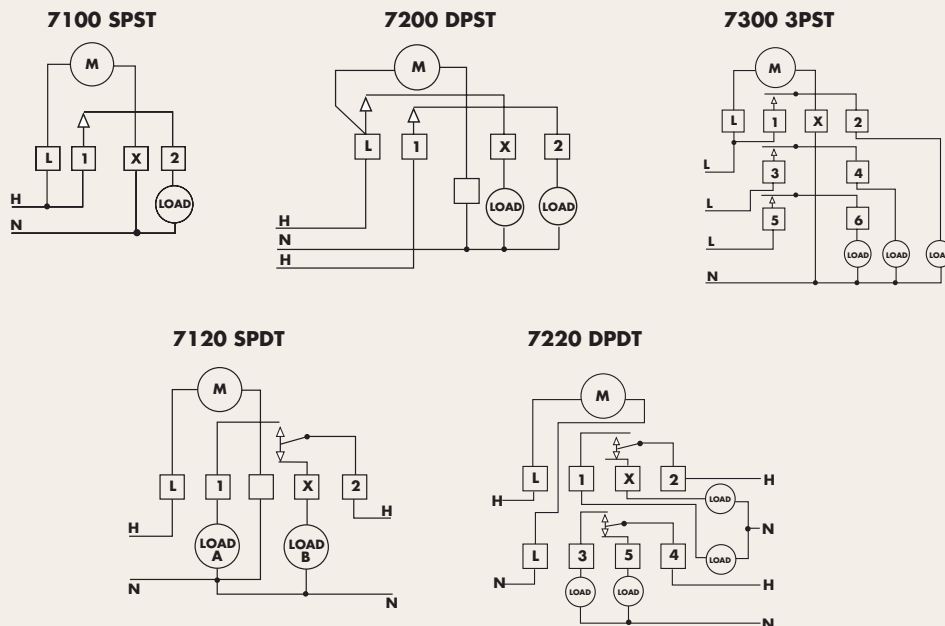
#### CONVERSION NOTE: ORDER ZKIT: Astronomic kit for field conversion of TORK 7000 and 1100 SERIES

†24 VOLT IN ALL MODELS AVAILABLE ON SPECIFICATION. Indoor/outdoor Noryl case is standard on all models with reserve power except 3PST is metal indoor/outdoor.

NOTE 1: If converting to reserve power in the field, order Model 63100 enclosure to accommodate the larger unit (not necessary with 3PST models)

NOTE 2: When replacing a Model 7300 or 7302 mechanism only into an existing enclosure, order CK7300 conversion kit since the new mechanism is designed narrower than the old one.

### WIRING DIAGRAMS



### SPECIFICATION WRITER'S GUIDE 7000 SERIES

Furnish and install where shown a TORK Time Switch with 24 hour dial and day-omitting device. The Time Switch shall be powered by a self-starting synchronous motor. Time Switch contacts shall be capable of switching 40 amperes per pole continuously at 277 volts and shall be SPST (DPST, 3PST, DPST, SPDT, as required). Removable ON-OFF trippers shall make possible automatic operation with a minimum ON period of 20 minutes and a minimum of 2 hours between one OFF period and the next. Enclosure shall be NEMA 1 surface type, finished in beige enamel, with combination 1/2", 3/4" knockouts on bottom, both sides and back. Provision shall be made for positive padlocking. Terminals shall be capable of receiving #8 AWG wire. Time Switch shall be TORK Model 7\_ \_ \_ (to fit requirement).

FOR RESERVE POWER (MODELS WITH SUFFIX "L"): Spring-driven reserve shall be provided sufficient to operate the Time Switch contacts at least 16 hours after power failure. On restoration of power, Time Switch shall transfer to synchronous motor drive and automatically rewind reserve power unit.