

# 7000 SERIES

WITH SKIP-A-DAY FEATURE  
RESERVE POWER OPTIONAL  
**24 HOUR TIME SWITCH**



CALIFORNIA Title 24  
ASHRAE 90.1

## APPLICATIONS



- Lighting
- Heating
- Pumps
- Air conditioning
- Signs

Automatic ON/OFF control when operation is required at the same time every day, with optional versatility of one to six days omission.

## FEATURES

**SCHEDULING:** Minimum ON setting is 20 minutes with minimum OFF setting at 75 minutes. Dial accommodates up to 12 pairs of trippers. One pair included.

**SKIP-A-DAY:** Omit operations on any day with a 7-spoke wheel marked with days of week. 3 omitting screws included.

**MANUAL OVERRIDE:** Until the next regularly scheduled ON or OFF, automatic operation then resumes.

**OPTIONAL RESERVE POWER:** "L" models keep dial on time up to 16 hours during power outage.

## ORDERING INFO

CATALOG NO.	UPC CODE	INPUT SUPPLY (VAC) 60Hz	OUTPUT CONTACTS	ENCLOSURE TYPE
7100	10001	120	SPST	Metal Indoor NEMA 1
7102	10002	208-277	SPST	Metal Indoor NEMA 1
7200	11001	120	DPST	Metal Indoor NEMA 1
<b>NEW!</b> 7200-0	10512	120	DPST	Metal Indoor/Outdoor NEMA 3
7202	11002	208-277	DPST	Metal Indoor NEMA 1
<b>NEW!</b> 7202-0	10509	208-277	DPST	Metal Indoor/Outdoor NEMA 3
7300	12001	120	3PST	Metal Indoor/Outdoor NEMA 3
7302	12002	208-277	3PST	Metal Indoor/Outdoor NEMA 3
7120	13001	120	SPDT	Metal Indoor NEMA 1
7122	13002	208-277	SPDT	Metal Indoor NEMA 1
7220	14001	120	DPDT	Metal Indoor NEMA 1
7222	14002	208-277	DPDT	Metal Indoor NEMA 1
WITH RESERVE POWER				
7200L	19003	120	DPST	Metal Indoor NEMA 1
7202L	19004	208-277	DPST	Metal Indoor NEMA 1
7300L	19005	120	3PST	Metal Indoor/Outdoor NEMA 3
7302L	19006	208-277	3PST	Metal Indoor/Outdoor NEMA 3
7120L	19007	120	SPDT	Metal Indoor NEMA 1
7220L	19009	120	DPDT	Metal Indoor NEMA 1
7222L	19011	208-277	DPDT	Metal Indoor NEMA 1
Replacement Trippers	Order #P49 for a pair of ON/OFF per dial. Additional ON/OFF trippers per dial order #P47. 3 omitting screws #53005 supplied.			
Replacement Motor	#101 (120V) & #201 (208-277V). For "L" models #36 (120V) & #46 (208-277V). For Astronomic Conversion: Order #Z KIT for 7000 Series.			

## SPECIFICATIONS

**INPUT VOLTAGE:** 120 or 208-277 VAC  
60 Hz varies by model.

**TIMING ACCURACY:** Line frequency.

**TERMINAL RANGE:** #8 - #14 AWG.

**OPERATING TEMPERATURE:**  
-40° to 165°F (-40° to +74°C).

**POWER CONSUMPTION:** 3 watts,  
5 watts for "L" models maximum.

**ENCLOSURE:** Lockable hasp. Type varies by model (see page 153 for enclosure dimensions).

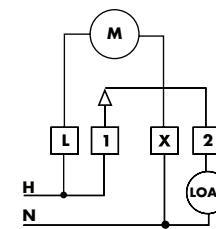
**OTHER MOUNTINGS:**  
Intermatic® Adaptor Plate model #IAP allows any 7100 and 7200 series (except "L" models) to fit into an Intermatic case.

## CONTACT RATINGS

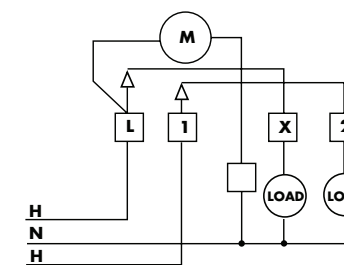
TYPE	VOLTAGE	CONTACT RATING
General Purpose	120 -277VAC single phase	40A
Resistive	120 -277VAC single phase	40A
Tungsten	120VAC	40A
Inductive	120, 277VAC single phase	20A
Pilot Duty	120 -277VAC	1000VA
Motor	120VAC	2HP
	240VAC	5HP

## WIRING DIAGRAMS

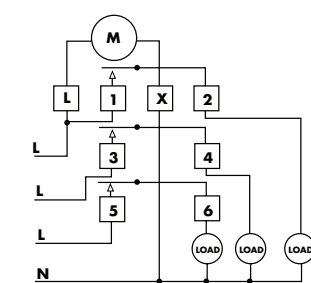
7100 SPST



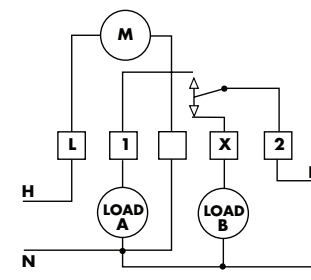
7200 DPST



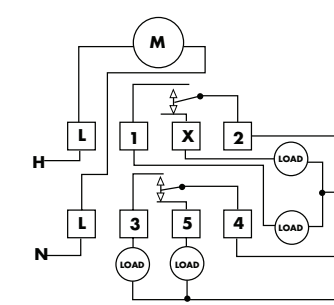
7300 3PST



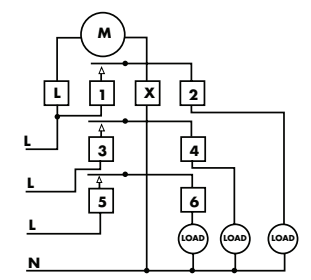
7120 SPDT



7220 DPDT



7302 3PST



FOR USE WITH 3 PHASE 4-WIRE 120/208V SYSTEMS.

## SPECIFICATION WRITER'S GUIDE

Furnish and install, where shown, a TORK time switch with 24 hour dial and day-omitting device. The time switch shall be powered by a self-starting synchronous motor. Time switch contacts shall be capable of switching 40 amperes per pole continuously at 277 volts and shall be SPST (DPST, 3PST, DPST, SPDT, as required). Removable ON/OFF trippers shall make possible automatic operation with a minimum ON period of 20 minutes and a minimum of 75 minutes between one OFF period and the next. Enclosure shall be NEMA 1 surface type, finished in beige enamel, with combination 1/2", 3/4" knockouts on bottom, both sides and back. Provision shall be made for positive padlocking. Terminals shall be capable of receiving #8AWG wire. Time Switch shall be TORK Model 7\_\_\_ (to fit requirement). FOR RESERVE POWER (MODELS WITH SUFFIX "L"): Spring-driven reserve shall be provided sufficient to operate the time switch contacts at least 16 hours after power failure. On restoration of power, time switch shall transfer to synchronous motor drive and automatically rewind reserve power unit.