

TORK ELECTROMECHANICAL

24 HOUR TIME SWITCHES

With Skip-A-Day Device
Reserve Power Optional

7000 SERIES

APPLICATIONS

Automatic ON-OFF control when operation is required at the same time every day, with optional versatility of one to six days omission.

- Lighting
- Heating
- Pumps
- Air Conditioning
- Signs

SPECIFICATIONS

Contact Ratings:

40 Amp. Tungsten, 120 VAC
40 Amp. Resistive, 120-277 VAC Single Phase
40 Amp. General Purpose, 120-277 VAC Single Phase
20 Amp. Inductive 120 VAC, 277 VAC Single Phase
1000 VA Pilot Duty 120-277 VAC.
2 HP (24 FLA) 120 VAC; 5 HP (28 FLA) 240 VAC

Timing Motor: Heavy duty synchronous self-starting high torque. Power Consumption: 3 watts. Optional reserve power spring mechanism keeps dial on time up to 16 hours during power outage. Power Consumption: 5 watts. Add suffix L to model number.

Automatic Operation: Minimum ON setting: 20 minutes. Minimum OFF setting: 75 minutes. One pair of ON-OFF trippers supplied – accommodates up to 12 pairs. Dial markings are in English, French and Spanish.

Omitting Device: 7-spoke wheel marked with days of week – 3 omitting screws (P-14) supplied.

Temporary Manual Override: Available.

Operating Temperature Range: -40° to +165°F. (-40° to +74°C.)

Enclosure: See end of controls section for dimensions. General purpose (NEMA 1). Drawn steel, beige enamel, with combination 1/2" and 3/4" K.O.'s on sides, bottom and back. Lockable hasp. Removable cover provides exceptional accessibility for wiring and setting. Mechanism releases from case at finger touch for easy installation, **(except 3 Pole Models which include metal indoor/outdoor case as standard).**

Other Mountings:

Model IAP—**Intermatic® Adapter Plate** – allows any TORK 7000 Model (SPST or DPST) to fit into an Intermatic case without necessity of changing the enclosure.

Flush, with lock and key (suffix FL1) – Model 9001*

Flush, with lock and key, NEMA 1B for 3 pole (suffix FL2) – Model 9002*

Duplex – 2 standard units in one indoor/outdoor NEMA 3 metal case except 3 pole, (suffix DUOL) – Model 9004L*

Noryl® Indoor/Outdoor – NEMA 3R (suffix N)-Model 9000N.*

Metal Indoor/Outdoor—NEMA 3 (suffix O)-Model 9000A* (hinged side)

Bracket mounting – specify mechanism only with bracket.

*Use model number when ordering special enclosures separately.

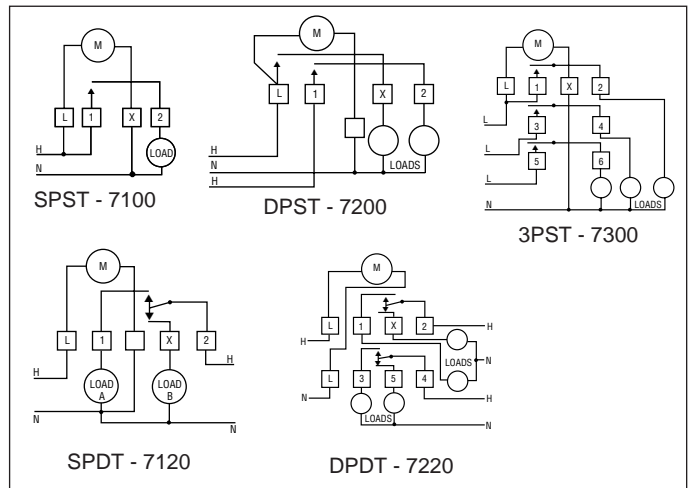
ORDERING INFORMATION

† Model #	Enclosure Type	† Model # with Reserve Power	Switch	Amps	H.P. Rating	MOTOR		Available in 50 Hz
						AC Voltage	Hz	
7100	Metal Indoor	–	SPST	40	2	120	60	YES
7102	Metal Indoor	–	SPST	40	5	208-277	60	YES
7200	Metal Indoor	7200L	DPST	40	2	120	60	YES
7202	Metal Indoor	7202L	DPST	40	5	208-277	60	YES
7300	Metal Indoor/Outdoor	7300L	3PST	40	2	120	60	YES
7302	Metal Indoor/Outdoor	7302L	3PST	40	5	208-277	60	YES
7120	Metal Indoor	7120L	SPDT	40	2	120	60	YES
7122	Metal Indoor	order 7222L	SPDT	40	5	208-277	60	YES
7220	Metal Indoor	7220L	DPDT	40	2	120	60	YES
7222	Metal Indoor	7222L	DPDT	40	5	208-277	60	YES

†24 volt in all models available on specification. Indoor/outdoor Noryl case is standard on all models with reserve power except 3PST is metal indoor/outdoor.

NOTE 1: If converting to reserve power in the field, order Model 63100 enclosure to accommodate the larger unit (not necessary with 3PST models)

NOTE 2: When replacing a Model 7300 or 7302 mechanism only into an existing enclosure, order CK7300 conversion kit since the new mechanism is designed narrower than the old one.



SPECIFICATION WRITER'S GUIDE

Furnish and install where shown a TORK Time Switch with 24 hour dial and day-omitting device. The Time Switch shall be powered by a self-starting synchronous motor. Time Switch contacts shall be capable of switching 40 amperes per pole continuously at 277 volts and shall be SPST (DPST, 3PST, DPST, SPDT, as required). Removable ON-OFF trippers shall make possible automatic operation with a minimum ON period of 20 minutes and a minimum of 2 hours between one OFF period and the next. Enclosure shall be NEMA 1 surface type. NEMA 1 enclosure shall be finished in beige enamel, with combination 1/2", 3/4" knock-outs on bottom, both sides and back. Provision shall be made for positive padlocking and/or sealing. Terminals shall be capable of receiving #8 AWG wire. Time Switch shall be TORK Model 7_ _ _ (to fit requirement).

FOR RESERVE POWER (Add suffix L): Spring-driven reserve shall be provided sufficient to operate the Time Switch contacts at least 16 hours after power failure. On restoration of power, Time Switch shall transfer to synchronous motor drive and automatically rewind reserve.