

TORK MODEL 1101 24 HR. TIME SWITCH

SWITCH: SPST

CONTACT RATINGS:

40 AMP 120-277VAC

20 AMP INDUCTIVE

120-277VAC SINGLE PHASE

40 AMP TUNGSTEN 120VAC

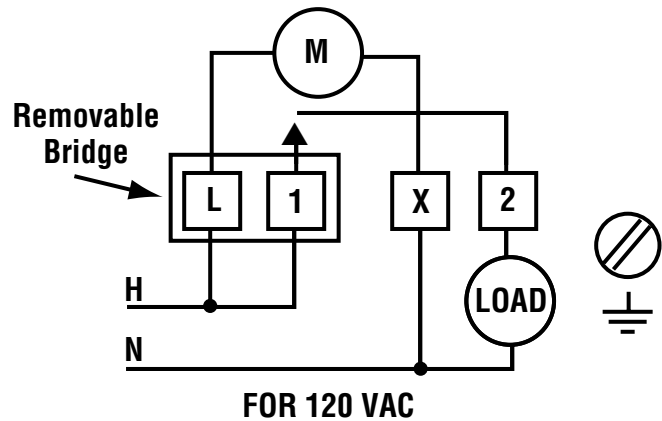
1000VA (120-277) PILOT DUTY

2HP 120VAC; 5HP 240VAC

TIMING MOTOR: 120VAC 60Hz

POWER CONSUMPTION:

3 WATTS MAX.



For separate motor terminals,
remove bridge from terminals L & 1.

Disconnect power at main panel prior to installing or servicing this time switch or the equipment connected to it.

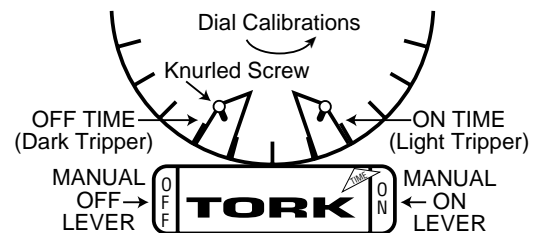
Connect in accordance with national and local electrical codes.

Supply Connections: Use gauge specified (AWG # 8-14) suitable for 75 degrees C (167 degrees F)

INSTALLATION AND OPERATING INSTRUCTIONS

TO SET ON AND OFF TIMES:

Light trippers turn ON. Dark trippers turn OFF. Place tripper on dial edge as shown in figure and set point of each tripper to desired operating time. **CAUTION:** Note if selected time is AM or PM. Hold tripper against dial edge and **firmly** tighten knurled screw.



TO SET DIAL TO TIME: Turn dial counter-clockwise until correct time is indicated by arrow on nameplate.

FOR MANUAL OPERATIONS: Press down lever on right of nameplate to turn ON. Press down lever on left of nameplate to turn OFF.

TO REMOVE MECHANISM FROM CASE: Press lever near case latch to release mainplate and swing the movement out. To replace, insert mainplate projections in slots opposite latch and swing movement in until it latches.

TORK®

1 GROVE STREET, MT. VERNON, NY 10550 TEL: 914-664-3542

FAX: 914-664-5052