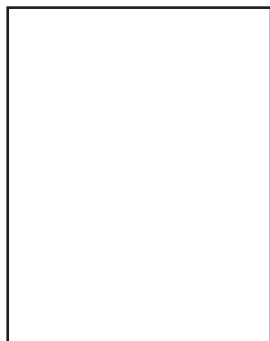


2 A. › ‘ ’ | Æ Æ Í - A Ñ ï Æ Í A › c Í
Y › c l › Æ ‹ › € Í 2 A › ‘ ’ | Æ Æ Í 0 Ø ©

5 HOHDVH 2FWREHU
)RU 7DQNOHV V 3DUWV &DWDORJ 7.33

PVC Vent Kits for RTGH-84DV, and RTGH-95DV



Horizontal Vent Termination

- SP20286 for 3-Inch PVC RXGY-G01
- SP20285 for 2-Inch PVC RXGY-G02

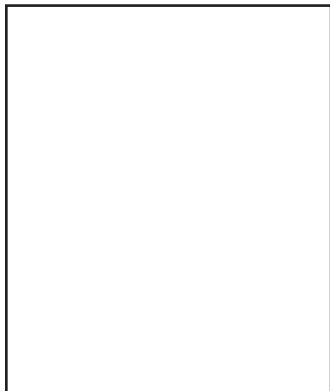
11-3/4" Wide, 8" Tall, 2-1/2" Deep
Fits PVC, ABS, piping.
Offers for a clean installation of the intake and exhaust pipes of the condensing tankless water heater.

Horizontal or Vertical Concentric Vent Termination

- SP20245 for 3-Inch PVC RXGY-E03A

11-3/4" Wide, 8" Tall, 2-1/2" Deep
Fits PVC, ABS, piping.
Offers for a clean installation of the intake and exhaust pipes of the condensing tankless water heater.

Recess Boxes



Recess Boxes enhance an outdoor installation by protecting the tankless unit from damage and tampering. It also provides additional protection from extreme weather. These boxes come in an grey finish and can be painted by the customer.

- RTG20226
For the RTGH-95X and RTGH-84X
Rough-in Dimensions:
46" High, 16-1/2" Wide, 9-1/2" Deep

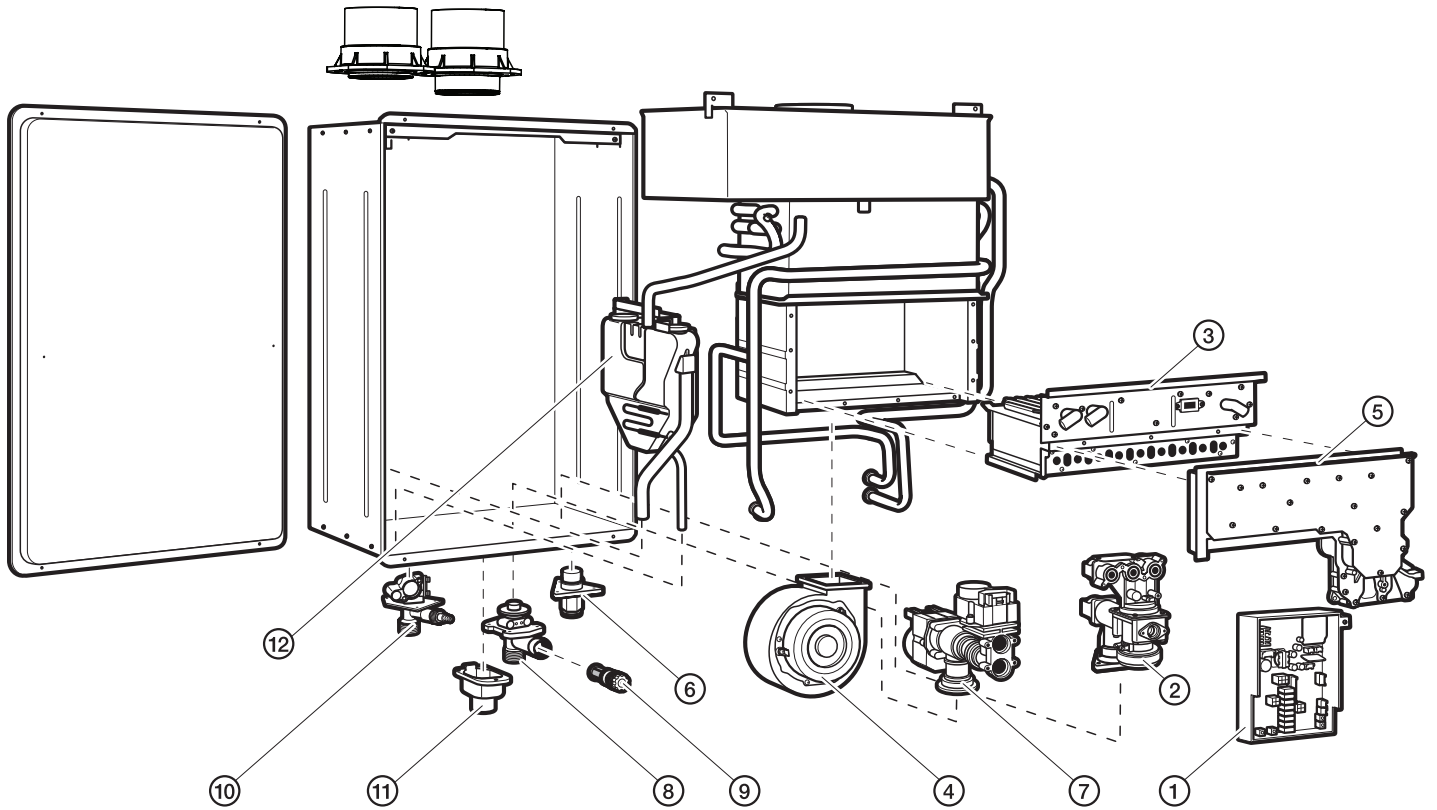
Pipe Covers



Cosmetic Pipe Covers enhance an indoor or outdoor installation by concealing the pipe beneath the water heater. It provides protection from tampering and weather conditions. These covers come in an grey finish and can be painted by the customer.

- RTG20227 (grey)
For the RTGH-95DV, RTGH-95X, RTGH-84DV, and RTGH-84X

)RU \$GGLWLRQDO 3DUWV DQG \$FFHVVRULHV DQG SDUWV DQG DFFHVVRULHV IF
7DQNOHV V 3DUWV DQG \$FFHVVRULHV &DWDORJ 7.33 5HY IRU SDUW
)RU SDUWV QRW OLVWHG SOHDVH FRQWDFW &XVWRPHU 6HUYLE



5KHHP 3DUW'HVFULSWLRQ		57*+ '9	57*+ '9
3URJUDP &KLS			
57*	7	1DWXUDO *DV 3URJUDP" &KLS	
57*	8	/3 *DV 3URJUDP &KLS "	
57*	1	1DWXUDO *DV 3URJUDP &KLS	"
57*	3	/3 *DV 3URJUDP &KLS	"
&RPPHUFLDO &RQYHUVLRQ .LWV			
57*	\$	1DWXUDO *DV &RPPHUFLDO &RQYHUVLRQ .LW	
57*	%	/3 *DV &RPPHUFLDO &RQYHUVLRQ .LW	"
57*	\$	1DWXUDO *DV &RPPHUFLDO &RQYHUVLRQ .LW	"
57*	%	/3 *DV &RPPHUFLDO &RQYHUVLRQ .LW	"

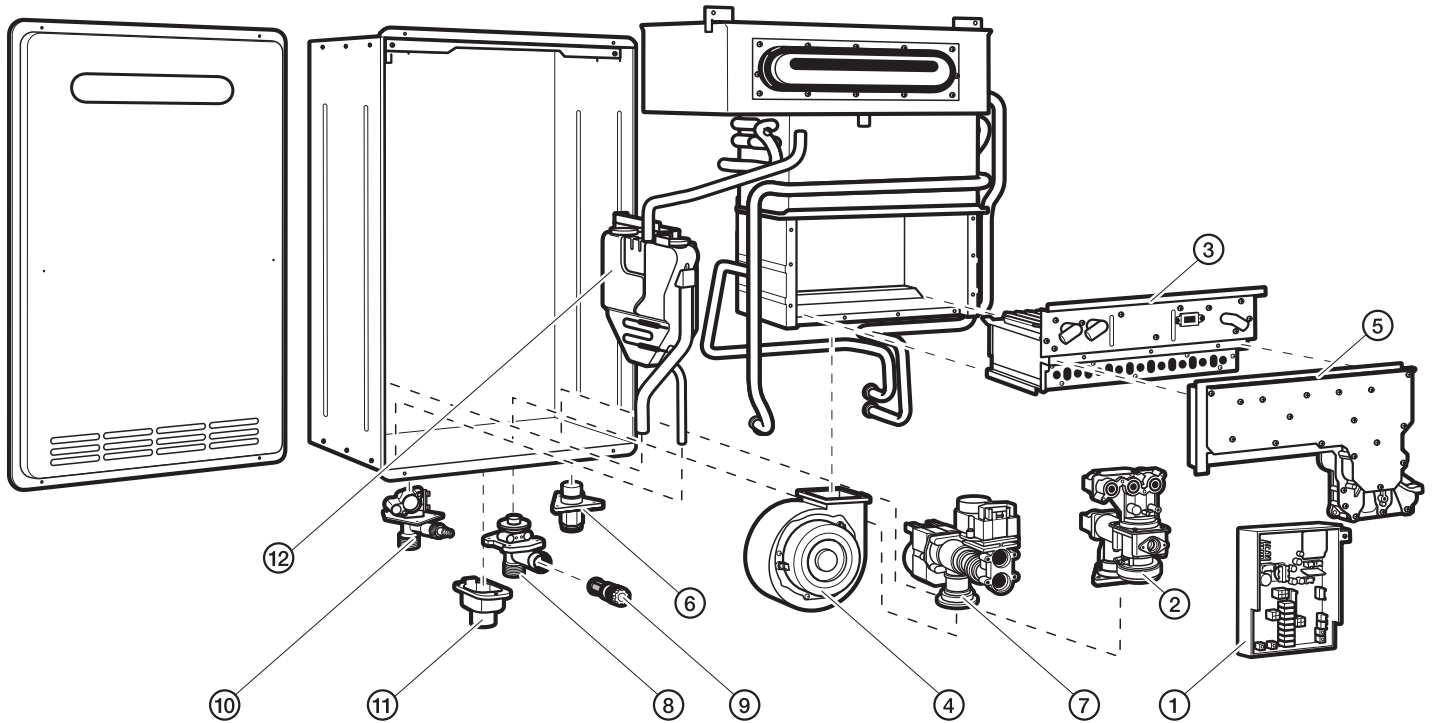
3DUWV IRU 57*+ '9 57*+ '9 VHULHV

5HI	5KHHP	3DUW	HVFULSWLRQ	57*+ '9	57*+ '9
	57*	3	&RQWURO %RDUG	"	"
	57*	'	,QOHW 7KHUPLVWRU :KLWH	"	"
	57*	*	+HDW ([FKDQJHU 7KHUPLVWRU	*UHQ	"
	57*	+	2XWOHW 7KHUPLVWRU 5HG	"	"
	57*	-	\$PELHQW 7KHUPLVWRU %OXH	"	"
	57*	/	7KHUPRVWDW \$VVHPEO\	"	"
	57*	:	7KHUPLVWRU :LULQJ +DUQHVV	"	"
	57*	9	*DV &RQWURO 9DOYH	"	"
	57*	9	*DV &RQWURO :LULQJ +DUQHVV	"	"
	57*	'	%XUQHU \$VVHPEO\	"	"
	57*	8	,JQLWHU &RLO	"	"
	57*	0	,JQLWHU 5RG ,*	"	"
	57*	.	%ORZHU 0RWRU	"	"
	57*	.	%ORZHU &DVH	"	"
	57*)	%XUQHU 0DQLIROG /3	"	"
	57*	;	%XUQHU 0DQLIROG 1\$7	"	"
	57*	*)ODPH 5RG)/	"	"
	57*	3)ODPH 5RG :LUH	"	"
	57*	&)ODPH 5RG)/	"	"
	57*	0)ODPH 5RG :LUH 1R 6	"	"
	57*	.	*DV ,QOHW &RQQHFWRU	"	"
	57*	(:DWHU &RQWURO %RG\	"	"
	57*	0	%\SDVV \$VVHPEO\	"	"
	57*	-	:DWHU ,QOHW &RQQHFWRU	"	"
	57*	&(+RW :DWHU 2XWOHW &RQQHFWRU	"	"
	57*	\$\$	5HPRWH &RQWURO 7HUPLQDO %ORFN	"	"
	57*)	1HXWUDOLJDWLRQ 5HSODFHPHQW .LW	"	"
	57*	%)URQW &RYHU 1R /DEHOV RU %UDQ'GLQJ	"	"
	7%\$		([KDXVW 9HQW 2XWOHW &RQQHFWRU' 39&	"	"
	7%\$		\$LU ,QWDNH ,QOHW &RQQHFWRU 39&	"	"

\$FFHVVRULHV

9HQWLQJ 63 5;* < * ,QFK +RUL]RQWDO 7HUPLQDWLRQ .LW
 63 5;* < * ,QFK +RUL]RQWDO 7HUPLQDWLRQ .LW
 63 5;* < (,QFK &RQFHQWULF +RUL] 9HUWRQWDO 7HUPLQDWLRQ
 5HPRWH &RQWUROV: 80& 0DLQ 5HPRWH &RQWURO
 57* '8 86& %DWK 5HPRWH &RQWURO
 57* '9 86& 6HFRQG %DWK 5HPRWH &RQWURO
 3LSH &RYHU 57* 3LSH &RYHU JUH\
 6HUylFH 9DOYHV 7DQNOHV 6HUylFH 9DOYH .LW ZLWK 5HOLHI 9DOYH
 57* \$% 7DQNOHV 6HUylFH 9DOYH .LW ZLWK 5HOLHI 9DOYH
 5HOLHI 9DOYH \$% & 3UHVVXUH 5HOLHI 9DOYH
 (= /LQ & DEOH 57*)7 (= /LQ & DEOH

6HH 3DJH RI 7.33 IRU 0DQLIROG &RQWUROOHU ,QIRUPDWLRQ



5KHHP 3DUW'HVFULSWLRQ	57*+ ;	57*+ ;
3URJUDP &KLS		
57* 9	1DWXUDO *DV 3URJUDP" &KLS	
57* :	/3 *DV 3URJUDP &KLS "	
57* 5	1DWXUDO *DV 3URJUDP &KLS "	
57* 6	/3 *DV 3URJUDP &KLS "	
&RPPHUFLDO &RQYHUVLRQ .LWV		
57* &	1DWXUDO *DV &RPPHUFLDO &RQYHUVLRQ .LW	
57* '	/3 *DV &RPPHUFLDO &RQYHUVLRQ .LW	
57* &	1DWXUDO *DV &RPPHUFLDO &RQYHUVLRQ .LW	
57* '	/3 *DV &RPPHUFLDO &RQYHUVLRQ .LW	

3DUWV IRU 57*+ ; 57*+ ; VHULHV

5HI	5KHHP	3DUW	HVFULSWLRQ	57*+ ;	57*+ ;
	57*	3	&RQWURO %RDUG	"	"
	57*	'	,QOHW 7KHUPLVWRU :KLWH	"	"
	57*	*	+HDW ([FKDQJHU 7KHUPLVWRU	*UHQ	"
	57*	+	2XWOHW 7KHUPLVWRU 5HG	"	"
	57*	-	\$PELHQW 7KHUPLVWRU %OXH	"	"
	57*	:	7KHUPLVWRU :LULQJ +DUQHVV	"	"
	57*	9	*DV &RQWURO 9DOYH	"	"
	57*	9	*DV &RQWURO :LULQJ +DUQHVV	"	"
	57*	:	%XUQHU \$VVHPEO\	"	"
	57*	8	,JQLWHU &RLO	"	"
	57*	0	,JQLWHU 5RG ,*	"	"
	57*	\$%	%ORZHU 0RWRU	"	"
	57*	\$&	%ORZHU &DVH	"	"
	57*)	%XUQHU 0DQLIROG /3	"	"
	57*	;	%XUQHU 0DQLIROG 1\$7	"	"
	57*	*)ODPH 5RG)/	"	"
	57*	3)ODPH 5RG :LUH	"	"
	57*	.	*DV ,QOHW &RQQHFWRU	"	"
	57*	(:DWHU &RQWURO %RG\	"	"
	57*	0	%\SDVV \$VVHPEO\	"	"
	57*	-	:DWHU ,QOHW &RQQHFWRU	"	"
	57*	&(+RW :DWHU 2XWOHW &RQQHFWRU	"	"
	57*	\$\$	5HPRWH &RQWURO 7HUPLQDO	"	"
	57*)	1HXWUDOLJDWLRQ .LW 6HW	"	"
	57*	\$)URQW &RYHU 1R /DEHOV RU %UDQGLQJ	"	"

\$FFHVVRULHV

5HPRWH &RQWUROV: 80& 0DLQ 5HPRWH &RQWURO
 57* '8 86& %DWK 5HPRWH &RQWURO
 57* '9 86& 6HFRQG %DWK 5HPRWH &RQWURO
 3LSH &RYHU 57* 3LSH &RYHU JUH\
 5HFHVV %R[57* 5HFHVV %R[JUH\
 6HUylFH 9DOYHV 7DQNOHVV 6HUylFH 9DOYH .LW ZLWK 5HOLHI 9DOYH
 57* \$% 7DQNOHVV 6HUylFH 9DOYH .LW ZLWK 5HOLHI 9DOYH
 5HOLHI 9DOYH \$B & 3UHVVXUH 5HOLHI 9DOYH
 (= /LQ & DEOH 57*)7 (= /LQ & DEOH

6HH 3DJH RI 7.33 IRU 0DQLIROG &RQWUROOHU ,QIRUPDWLRQ

5KHHP	588'	5LFKPRQG	(FR6HQVH	3DORPD
57*+ '91	587*+ '91	507*+ '91	(&2+ '91	3++ 5'91
57*+ '93	587*+ '93	507*+ '93	(&2+ '93	3++ 5'93
57*+ ;1	587*+ ;1	507*+ ;1	(&2+ ;1	3++ 52)1
57*+ ;3	587*+ ;3	507*+ ;3	(&2+ ;3	3++ 52)3
57*+ '91	587*+ '91	507*+ '91	(&2+ '91	3++ 5'91
57*+ '93	587*+ '93	507*+ '93	(&2+ '93	3++ 5'93
57*+ ;1	587*+ ;1	507*+ ;1	(&2+ ;1	3++ 52)1
57*+ ;3	587*+ ;3	507*+ ;3	(&2+ ;3	3++ 52)3

●

Rheem Customer Service

Division Office 334-260-1500

Parts, Customer Service, Warranty1-800-621-5622

Fax1-800-535-9538

Emailparts@rheem.com

Technical Service1-800-HEATER3
(1-800-432-8373)

Emailtechserv@rheem.com

Websitewww.rheem.com

6HH 7DQNOHV 3DUWV DQG \$FFHVVRULHV &DWDORJ 7.33 5HY IRU SD
)RU SDUWV QRW OLVWHG SOHDVH FRQWDFW &XVWRPHU 6HUYLE

Tankless water heaters

Endless hot water



relax

It's Rheem®

Rheem Water Heating
101 Bell Road
Montgomery, AL 36117-4305
www.rheem.com