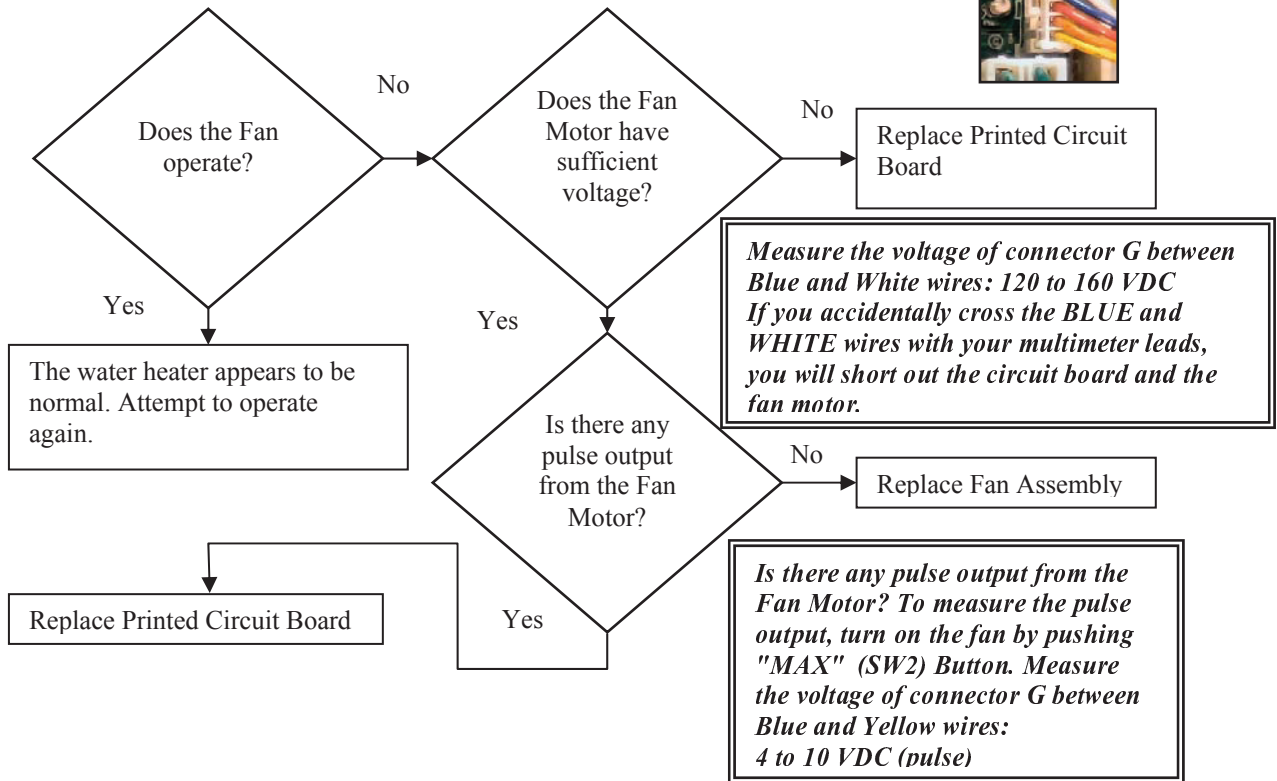
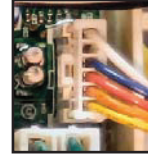
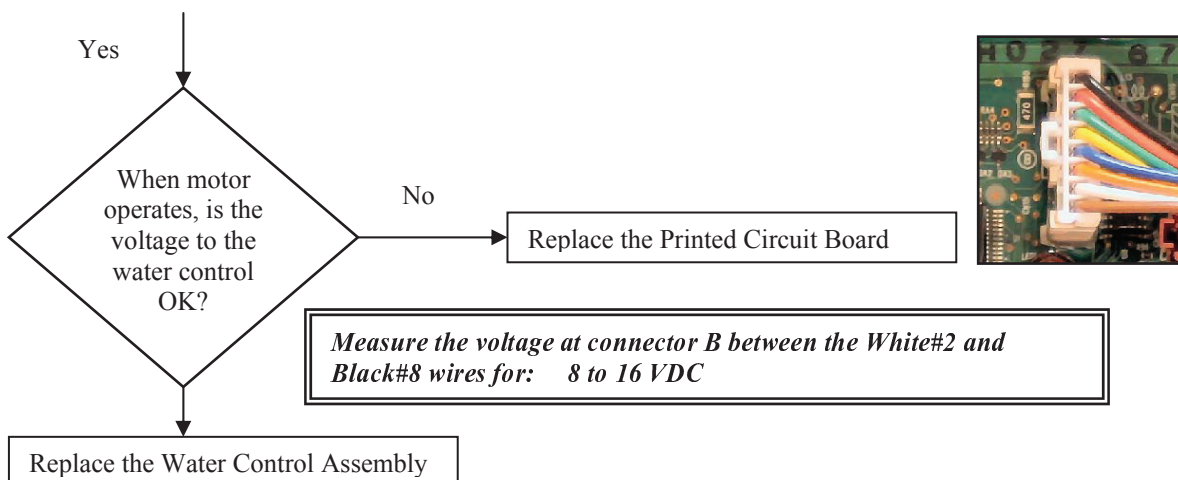


### Error Code 61

Explanation: Combustion Fan failure. Fan motor does not work properly. At a minimum check the following:

5. Ensure fan motor will turn freely. Motor will operate with a small amount of restriction.
6. Check there is some volume of air from the flue outlet at the top of the heater.
7. Check wiring harness to motor for damaged and/or loose connections.
8. Check Molex connections of the PCB.

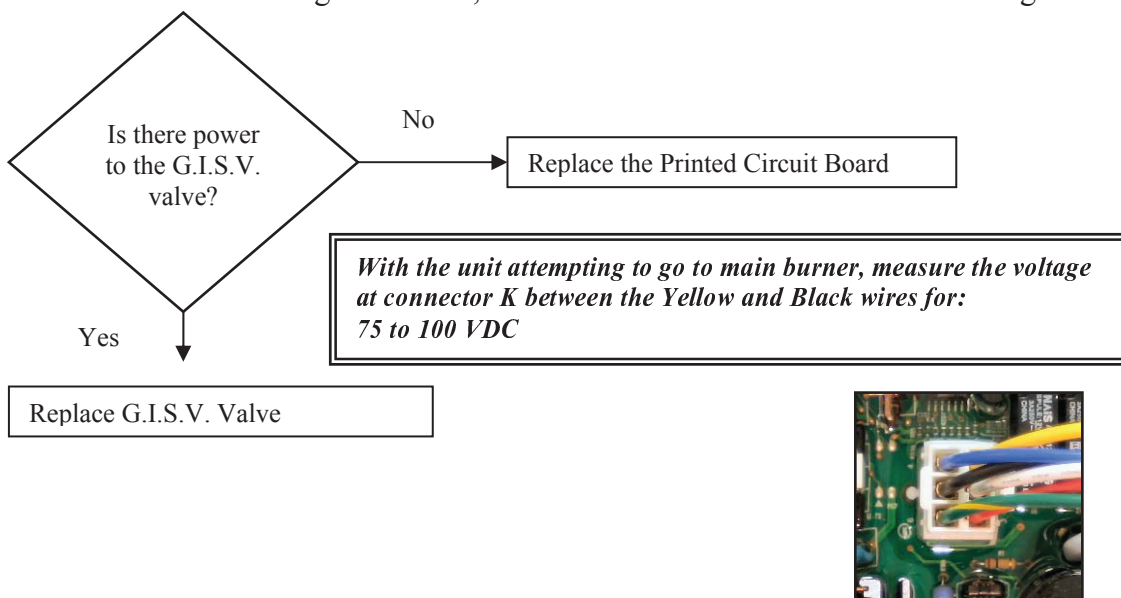




**Error Code 66 (RTG66 Only)**

**Error Code 71**

Explanation: Gas Inlet Solenoid Valve (G.I.S.V) fault. Check gas inlet solenoid valve wiring harnesses for loose or damage terminals; and connection K to the circuit board is tight.



**Error Code 72**

Explanation: Flame Sensing Device fault. The Flame Probes are sensing the presence of flame when there is not suppose to be any flame.

See and follow the same procedure as used in Error Code 51.