

2 AND 3 CIRCUIT LIGHTING CONTROL CENTER

Different Schedules Each Day Combines Photoelectric and Seven Day Time Switch Control Reserve Power Standard

T900 SERIES

MODEL 2101 IS SUPPLIED WITH UNIT



APPLICATIONS

- Use for general outdoor lighting such as parking lot and displays – Dusk-ON, Preset-OFF (Photoelectric control-ON, time Switch-OFF).
- Use for all night safety or security lighting – Dusk-ON, Dawn-OFF (Photoelectric control-ON, Photoelectric control OFF).
- Use for indoor lighting or HVAC – Preset-ON, Preset-OFF (Time Switch-ON, Time Switch-OFF).

NOTE: All models are designed to control a contactor circuit and not recommended for direct switching of most lighting loads.

CONTROLS TWO OR THREE CIRCUITS

- CIRCUIT 1** ON automatically at dusk, OFF at individual preset times each day, including skipping days when desired. Can be set to turn ON before dawn for early morning lighting.
- CIRCUIT 2** ON at dusk, OFF at dawn, automatically, daily.
- CIRCUIT 3** Individually daily ON and OFF settings at desired times, including skipping any desired day or days.

SPECIFICATIONS

- Contact Ratings:** 20 Amps per Pole, 24-277 VAC (unpowered)
- Manual By-Pass Switches:** Single pole, 20 Amps – one per circuit. Factory pre-wired to terminal strip. ON-OFF-AUTO positions for each circuit independently – will not disturb automatic settings.
- Timing Motor:** Heavy duty synchronous, self-starting, high torque. 24 hour Reserve Power is standard. Power Consumption: 5 watts.
- Automatic Operation:** Minimum ON setting: 1 Hour. Minimum OFF setting: 2 Hours. 6-1/2 inch dial accommodates up to 2 pairs of ON-OFF removable trippers per day - 7 pairs are supplied.

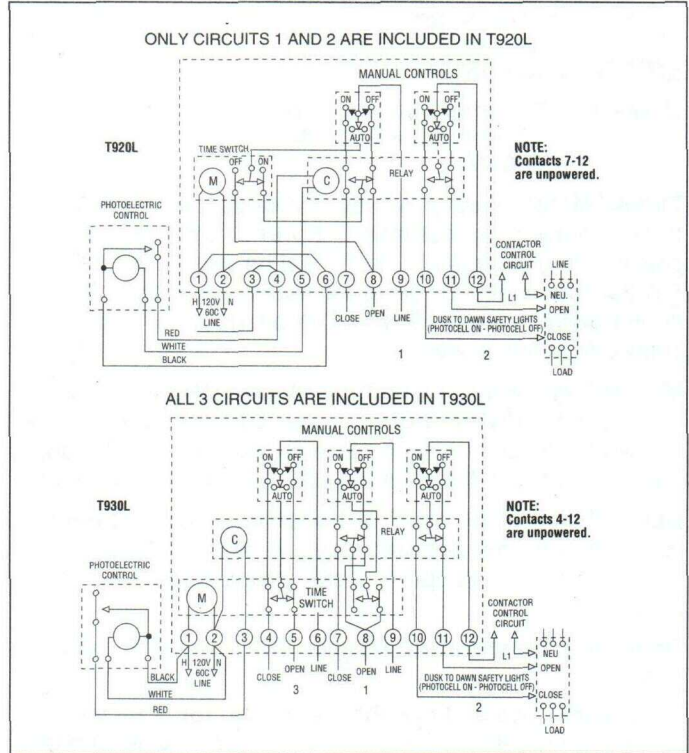
- Operating Temperature Range:** -40° to +165°F. (-40° to +74°C.)
- Enclosures:** See end of controls section for dimensions. General Purpose (NEMA 1) – Steel beige enamel, lockable hasp, with combination 1/2" - 3/4" K.O.'s on both sides, top and bottom.
- Optional "E" door (specify) available to replace standard removable cover when access to external by-pass switches are required.

- Other Mountings:
- Flush Mount with lock and key** – NEMA Type 1. (Suffix FL5) – Model 9005*.
- Metal Indoor/Outdoor** – NEMA Type 3 (Suffix O) – Model 9006*
- Bracket Mounting** – specify unit without case.
- *Use model number when ordering special enclosures separately.

ORDERING INFORMATION

Model #	Type	Amps	RESERVE POWER MOTOR			Part #	Enclosure Type
			AC Voltage	Hz			
T920L	2 circuit	20	120	60		36	Metal Indoor
T930L	3 circuit	20	120	60		36	Metal Indoor

Adding E suffix denotes case cover for external accessibility of by-pass switches, available for surface enclosure only. All models designed to control mechanically-held and magnetic contactors, when wired in accordance with manufacturers recommendations. Includes Photoelectric Control and Time Switch, reserve power timing motor and manual by-pass switches. **Contacts are unpowered control circuits rated for 24-277V contactor coils.** See notes on wiring schematics. For momentary Contact of contactor coils, see SMC-3D.



SPECIFICATION WRITER'S GUIDE

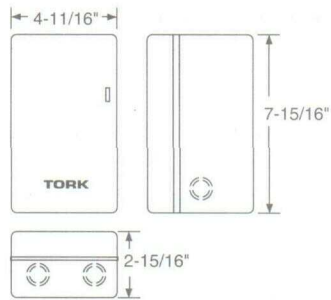
Furnish and install where shown a TORK Photo/Time Control of the 7 Day Calendar dial type, which shall be suitable to operate mechanically-held contactor(s). Photo/Time Control shall be prewired to a central terminal block which provides connecting terminals for Photocontrol and independent contactor control circuit(s). Time Switch shall function to prevent energization of lighting for preset periods each day. Time Switch dial shall permit different ON-OFF settings for each day of the week, with provision for omitting selected days. Control shall include prewired manual switching for each contactor circuit specified. Enclosure shall be NEMA 1 surface. Photocontrol to be remotely installed in appropriate outside location. It shall be fully temperature compensated and shall provide for time delay of at least 15 seconds to prevent false switching. Photocontrol shall operate control center to energize whenever natural lighting falls below 1.5 - 5.5 foot candles turn on. Spring driven reserve timing motor shall be provided sufficient to operate time switch controls at least 24 hours after power failure. On restoration of power, time switch shall transfer to synchronous motor drive and automatically rewind reserve. FOR DUSK-TO-DAWN LIGHTS: Control shall provide additional contactor circuit to above specifications except that it shall be responsive to Photocontrol only. Tork Model T-920L or equal. FOR PRESET ON/PRESET OFF: Control shall provide for additional contactor circuit to above specification except that it shall be responsive to time switch only. Tork Model T-930L.

MECHANICAL

METAL INDOOR NEMA 1 #68229

STD. FOR MODELS

1101	7122
1102	8001
1103	8004
1104	8011
1101FM	8061
1104FM	8121
7100	8301
7102	8601
7200	8602
7202	E100 Series,
7120	EH10/20



METAL INDOOR/OUTDOOR NEMA 3 Model 9000A – Suffix O (replaces Model 9000)

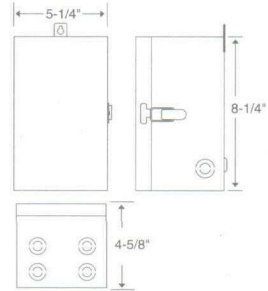
STD. FOR MODELS

7300, (L)	7302Z
7302, (L)	7300ZL
7300Z	7302ZL

AVAILABLE FOR MODELS

1101	7200, (L,Z,ZL)	1847AL	8007V
1102	7202, (L,Z,ZL)	1847AZL	8011
1103	7120, (L,Z,ZL)	8001	8061
1104	7122, (L,ZL)	8004	8121
1101FM	7220, (L)	E100 Series	8301
1104FM	7222, (L)	8001U	8601
7100	1847A	8007	8602
7102	1847AZ	8007L	

DW, DWZ, DZS, DTS Series



METAL INDOOR NEMA 1 #63100

STD. FOR MODELS

7220, (L)	1847AL	LC200
7222, (L)	1847AZL	LDS-A
7200L	8001L	LDSH-A
7202L	8007	
7120L	8007L	
1847A	8007V	
1848A	8150	
1849A	8150U	
1847AZ		

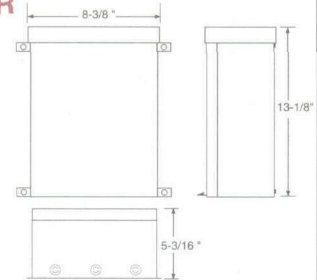


AVAILABLE FOR SERIES
DZS, DTS,
DW, DWZ,
DG

METAL INDOOR/OUTDOOR NEMA 3 Model 9006 – Suffix O

AVAILABLE FOR MODELS

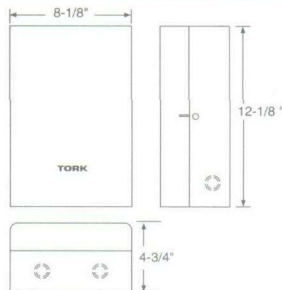
W100	W222	T920L
W200	W220L	T930L
W202	W222L	1847AW
W300	W300L	1847AWL
W302	W302L	
W120	TW220L	
W220	TW300L	



METAL INDOOR NEMA 1 #63016-1

STD. FOR MODELS

TZ220L	W302L
TZ300L	TW220L
W300	TW300L
W302	T920L
W300L	T930L



METAL INDOOR/OUTDOOR – NEMA 3 Model 9013I - Suffix O

DIMENSIONS: 10-1/2" x 7-7/8" x 4-3/4"

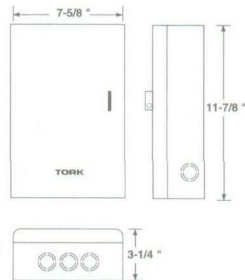
AVAILABLE FOR MODELS

W400AL
W402AL

METAL INDOOR NEMA 1 #70100

STD. FOR MODELS

W100	W222
W200	W220L
W202	W222L
W120	1847AW
W220	1847AWL



NORYL® INDOOR/OUTDOOR NEMA 3R Model 9000N – Suffix N

STD. FOR MODELS

7200Z, (L)	DG Series	DWZ Series
7202Z, (L)	DZS Series	SMC-3D
7120Z, (L)	DTS Series	
7122ZL	DW Series	

AVAILABLE FOR MODELS

1101	7202, (L,Z,ZL)	1847AZL	8602
1102	7120, (L,Z,ZL)	8001	E100 Series
1103	7122	8004	
1104	7122ZL	8001U	
1101FM	7220, (L)	8011	
1104FM	7222, (L)	8061	
7100	1847A	8121	
7102	1847AZ	8301	
7200, (L,Z,ZL)	1847AL	8601	



METAL INDOOR NEMA 1

STD. FOR MODELS

W400A	W400AL
W402A	W402AL

