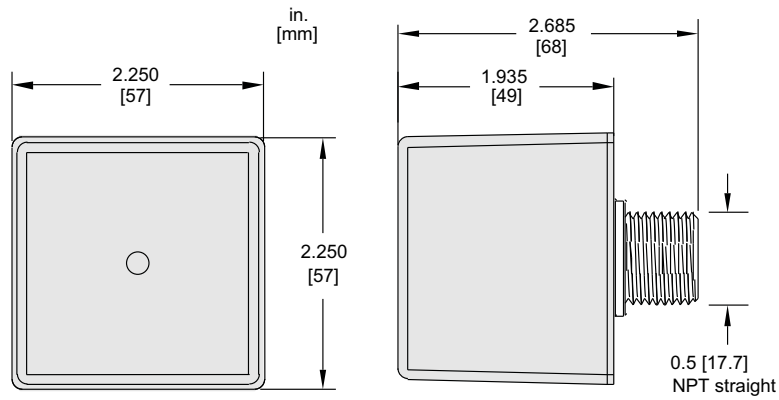
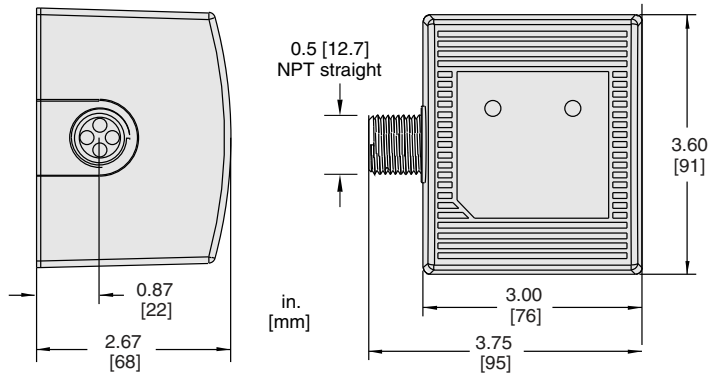


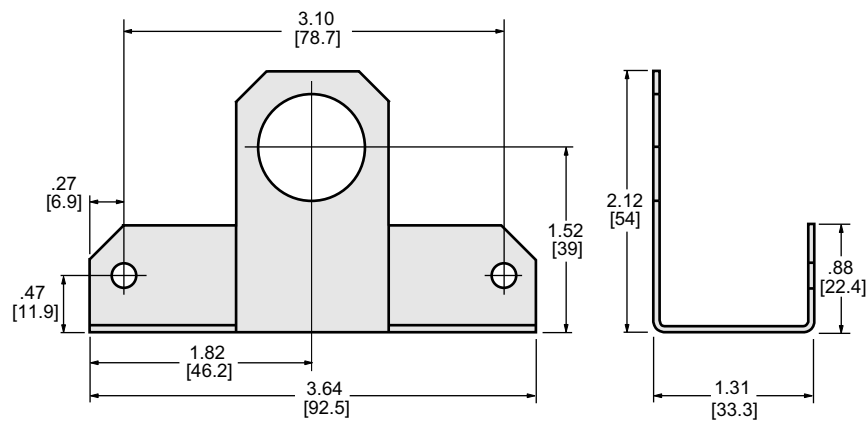
**SDSA1175 Surge Protective Device**



**HEPD Surge Protective Device**

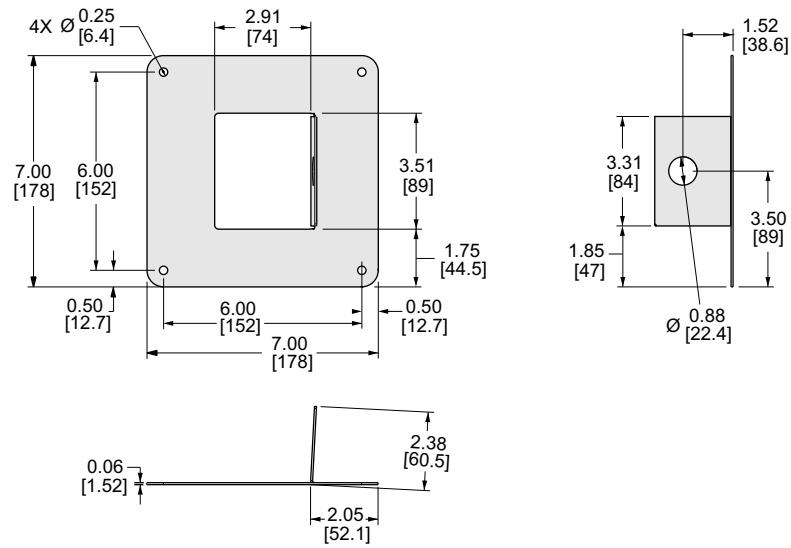


**QOSAMK Mounting Bracket**

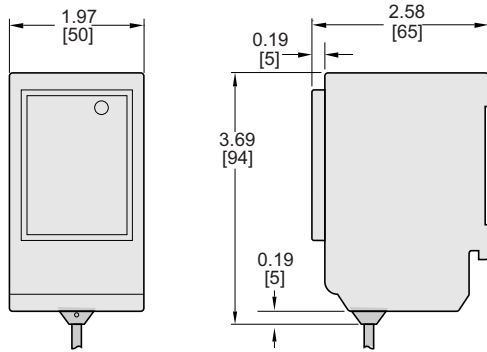


**Surge Protective Devices (SPDs)**  
**Dimensions**

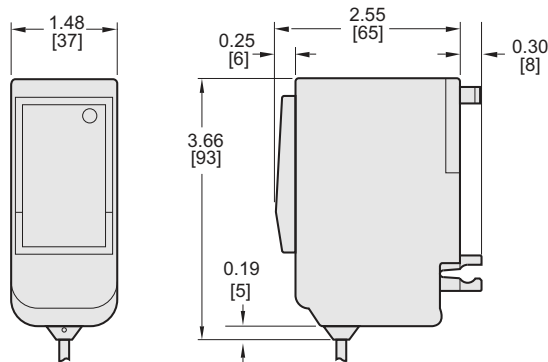
**TVSXRFMK Flush Mount Bracket**



**HOM2175SB Homeline Surge Protective Device**

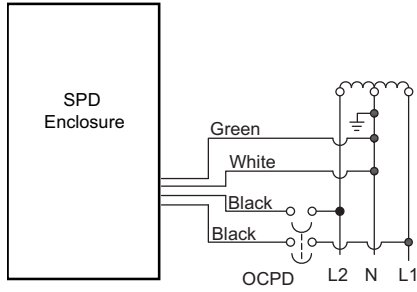


**QO2175SB QO Surge Protective Device**

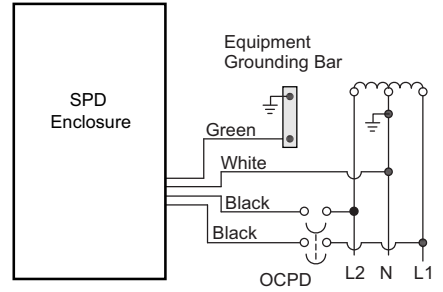


# Wiring

## SDSB1175C / SDSB1175CB or SDSB1175R / SDSB1175RB Whole House SPDs

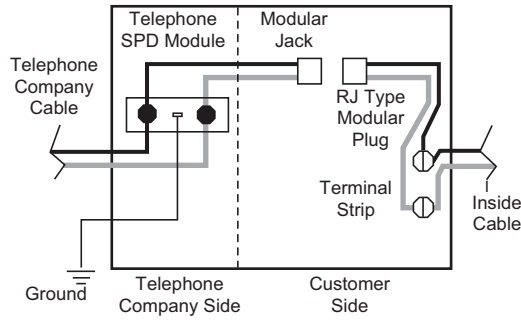


Service Entrance  
without Grounding Bar  
120/240 Vac Single-phase  
3-Wire Service

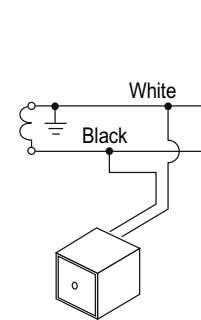


Sub-Panel or Service Entrance  
with Grounding Bar  
120/240 Vac Single-phase  
3-Wire + Ground Service

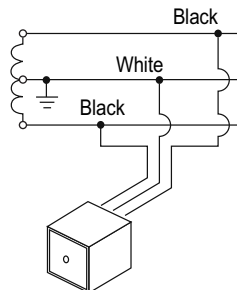
## Network Interface Device



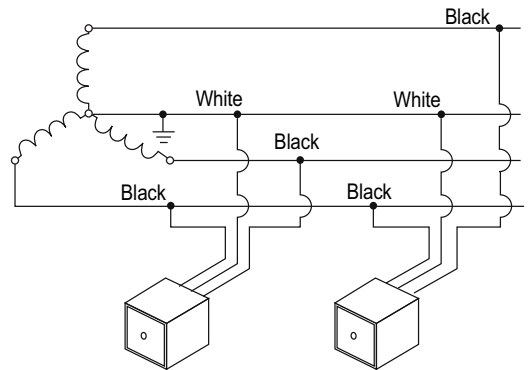
## SDSA1175 SPDs



SDSA1175T  
120 Vac Single-phase  
2-Wire Service

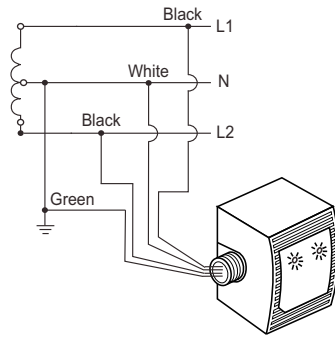


SDSA1175  
120/240 Vac Single-phase  
3-Wire Service

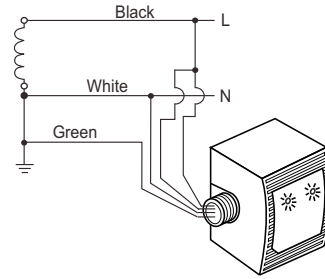


Two SDSA1175 3-wire units  
on 208Y/120 Vac  
Three-phase 4-Wire Service

## HEPD SPDs

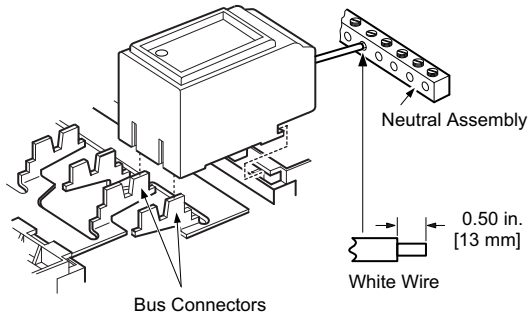


120/240 Vac Single-phase  
3-Wire + Ground Service



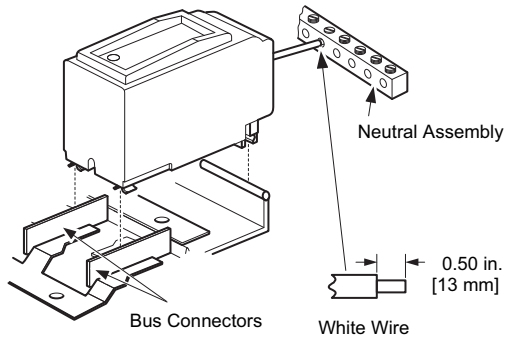
120 Vac Single-phase  
2-Wire + Ground Service

## HOM2175SB Homeline Surge Protective Device



**NOTE:** The SPD requires two adjacent mounting spaces and must be installed as close to neutral assembly and main circuit breaker or main lugs as possible. Keep wire lengths as short as possible with no sharp bends.

## QO2175SB QO Surge Protective Device



**NOTE:** The SPD requires two adjacent mounting spaces and must be installed as close to neutral assembly and main circuit breaker or main lugs as possible. Keep wire lengths as short as possible with no sharp bends.