



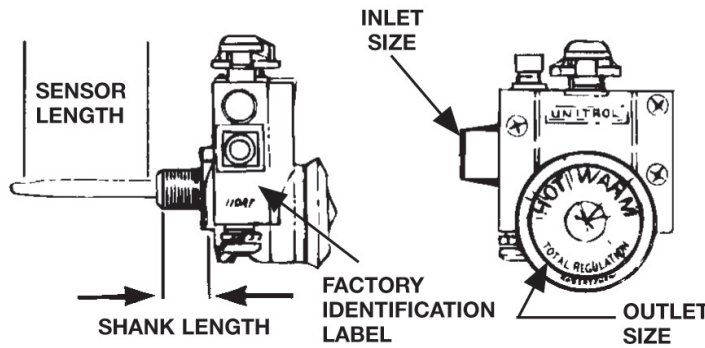
WATER HEATING

The first device ever manufactured by Robertshaw Controls Company was a Water Heating Control. In over 100 years since that first control was produced we have manufactured in excess of 20,000,000 controls for Water Heating Applications.

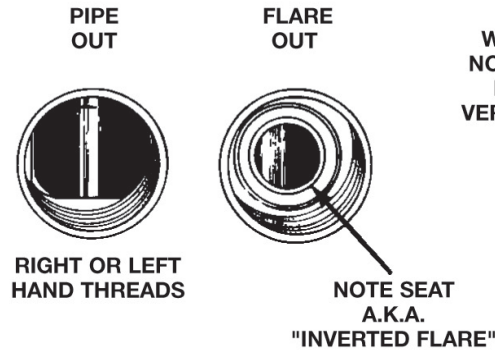
Changes in technology, regulatory standards and equipment manufacturer's individual requirements have necessitated the production of many variations of Water Heating Controls. To select a functional replacement control, as much of the following information as possible should be known.

IDENTIFICATION

GAS THERMOSTATS

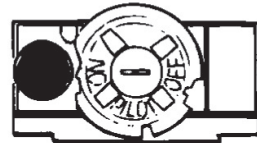
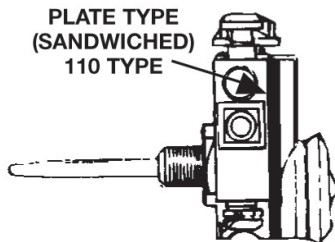


INLET/OUTLET TYPE



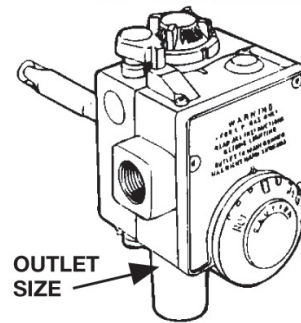
DIAL TEMPERATURE RANGE
 WARM = 120°F
 NORMAL = 140°F
 HOT = 160°F
 VERY HOT = 180°F

REGULATOR TYPE & SETTING



BALANCED TYPE (MODEL R110R)
 NOTE: CAP ON TOP OF GAS COCK REGULATOR IS GREEN AND SNAPS INTO THE GAS COCK DIAL.

L.P. GAS MODELS



IMPORTANT:
 IS CONTROL RPL OR R65RR?
 NOTE: R65RR OUTLET HAS LEFT HAND THREADS.

FACTORY MODEL IDENTIFICATION

MODEL DESIGNATIONS	DESCRIPTIONS	MODEL DESIGNATIONS	DESCRIPTIONS
HC	High Capacity Thermostat	RPL	L.P. Gas Control same as R65RR except with right hand (outlet) threads
I	Class II Regulator	R65RR	L.P. Gas Control with left hand (outlet) threads
LP	L.P. Gas Use Only	R103RV	Low Capacity Thermostat for Recreational Vehicles
P	Pilot Gas Regulated (Non-adjustable) (Model R103RV Only)	R110R	Balanced Regulator
PA	Pilot Gas Regulated (Adjustable) (Model R103RV Only)	R120R*	Special Uni-burner or Saturn Burner Control (Has No Pilot Gas Outlet)
PC	Convertible Pilot (Natural or L.P. Gas)	220R	New style Gas Control replaces R110R
R	Main Gas Regulated	220RPL	Same as 220R except for L.P. Gas
RA	Main Gas Regulation Set @ 5" W.C. or Higher	T	Built-in "Cycling" ECO Switch
RC	Convertible Regulator (Natural or L.P. Gas)	TS	Built-in "Noncycling" ECO Switch
		8	180°F High Temperature Thermostat (Commercial)

NOTE: If factory model designation does not have a "P" in it, the control will have a pilot adjustment key. * OBSOLETE - No longer available. Replace the water heater.

inven'sys

Controls
 191 E. North Avenue
 Carol Stream Illinois 60188 USA
 Customer Service Telephone 1.800.304.6563
 Customer Service Facsimile 1.800.426.0804
 HVACCustomerService@Invensys.com

For Technical Service
 Telephone 1.800.445.8299
 Facsimile 1.630.260.7294
 TechnicalService@Invensys.com

Invensys™, Robertshaw®, Simply the Right Choice™, Uni-Line® and Uni-Kits® are trademarks of Invensys plc., its subsidiaries and/or affiliated companies. All other brands mentioned may be the trademarks of their respective owners.

www.Uni-Line.com
www.InvensysControls.com
 ©2010 Invensys Controls
 2/10 - 150-2191B