



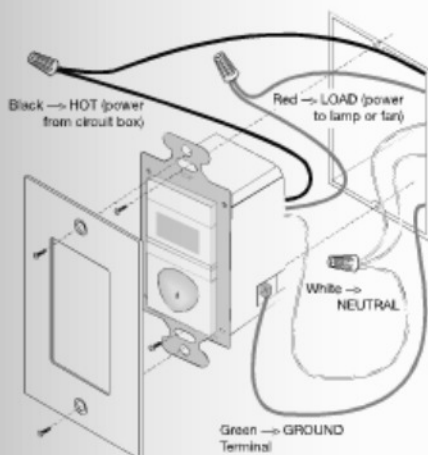
## Occupancy & Vacancy Sensors & Timers Timers

### Features

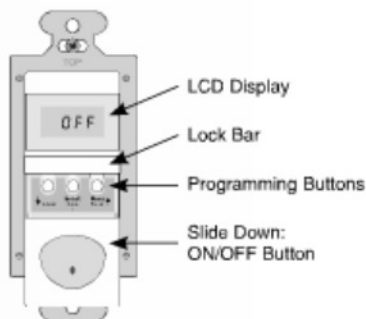
- Programmable countdown time switch
- Manual ON/OFF.
- Digital countdown display.
- Adjustable time delay from 5-55 minutes (five-minute increments) to 1-12 hours (15-minute increments).
- Audible beep and visible light flash warnings before automatic-OFF.
- Lighted switch for visibility in darkened rooms.
- Works with most common lighting types.
- cULus listed.
- 5-year warranty.
- Load: Incandescent, fluorescent, compact fluorescent (CFL), magnetic low-voltage (MLV) and electronic low-voltage (ELV), 1/6 hp

Catalog Number	Description	Rating	Load	Time-Running-Out Warning	Color
<b>Digital Timers</b>					
RT12I	12-Hour Digital Timer, Neutral required	0-600W, 1/6 hp @ 120VAC 60 Hz	All	Yes	Ivory
RT12W				Yes	White
RT12BK				Yes	Black
RT12LA				Yes	Light Almond

### RT12 Wiring



### Product Controls



RT12

### Features

- Manual or programmed ON/OFF switching.
- Real time clock with day/date calendar.
- Easy to read LED display.
- Programming by
- Audible or visual occupant warning before OFF.
- Power failure memory.

