

# MODEL RC2403RT

## AIR OPERATED SPA CONTROL

IN RAINPROOF (TYPE 3R) ENCLOSURE SUITABLE FOR SPA APPLICATIONS AND FOR DIRECT CONNECTION OF UNDERWATER LIGHTS.

FILTER PUMP AND BLOWER: 1 HP - 120V, 2 HP - 240V MAX.

AUX CIRCUIT: 20 AMP. RESISTIVE 120/240V; 1.5 HP - 120V, 3 HP - 240V



### CAUTION, RISK OF ELECTRIC SHOCK

Install at least 5 ft. (3 meters for Canadian installations) from inside edge of pool/spa. Mount at least 1 ft. (30 cm) above ground with arrows up.  
 ...do not permit children to operate this control or use the Pool/Spa unless they are closely supervised at all times.  
 ...test GROUND FAULT protection regularly. If it fails to reset, DO NOT USE THE POOL or SPA!  
 ...always disconnect electricity before servicing this control or the equipment connected to it. **THIS CONTROL IS NOT TO BE USED AS A POWER DISCONNECT.**

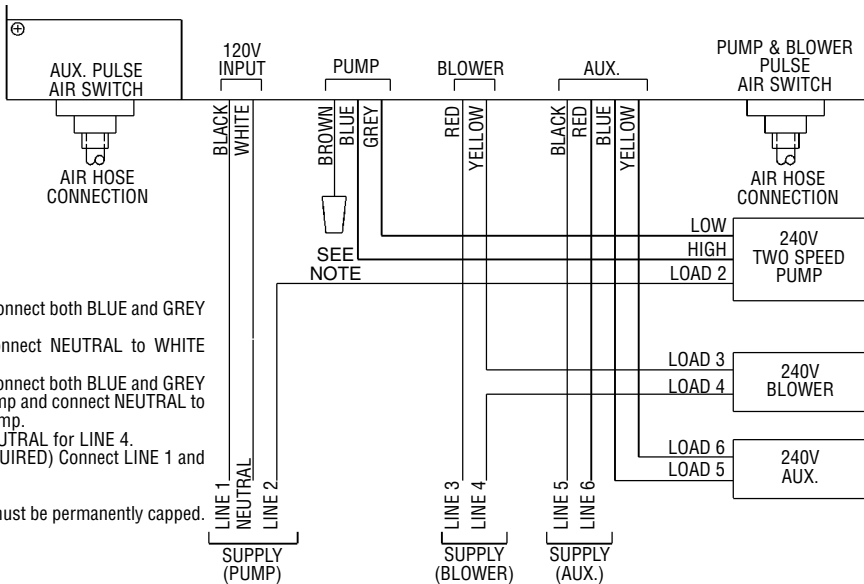
This Air Control is designed to operate the filter pump (single or two speed, 120V or 240V) on a 24 hour schedule, and blower (120V or 240V) safely, without electricity at the spa side. The timer will automatically turn ON/OFF the pump for daily filtration cycle(s). By pressing the air button on the spa side, the Pump or Blower will function in the following sequence:

EQUIPMENT	Sequence 1 (Home Position)	Sequence 2	Sequence 3	Sequence 4
<b>Filter Pump</b> One Speed Low/High Speed	Timer ON/OFF Timer Low/Off	ON High	ON High	OFF Low
<b>Blower</b>	OFF	OFF	ON	ON

There is also an independent DPST circuit and push button to control auxiliary (120V or 240V) equipment.

**TO WIRE** - Follow diagram. Use solid or stranded **COPPER** wire (only) to suit installation. All equipment must have its own separate circuit with breakers suitable for power disconnect. Properly ground (and bond if required) installation as required by NEC and other codes.

### IMPORTANT: NEUTRAL MUST BE CONNECTED TO WHITE LEAD



**240V SINGLE SPEED PUMP:** Connect both BLUE and GREY leads to LOAD 1 of pump.

**120V TWO SPEED PUMP:** Connect NEUTRAL to WHITE leads of control and pump.

**120V SINGLE SPEED PUMP:** Connect both BLUE and GREY leads to load (black lead) of pump and connect NEUTRAL to WHITE leads of control and pump.

**120 V BLOWER:** Substitute NEUTRAL for LINE 4.

**FREEZE PROTECTION:** (IF REQUIRED) Connect LINE 1 and BROWN lead to thermostat.

NOTE: Brown lead if not used must be permanently capped.

**240V 2 - SPEED PUMP WITH TIMER, 240V BLOWER AND AUX. CIRCUIT.**