

Switches Manual Controllers

15, 20 & 30A, 120/277VAC – Maintained Contact
15, 20 & 30A, 120/277VAC – Momentary Contact

Pass & Seymour

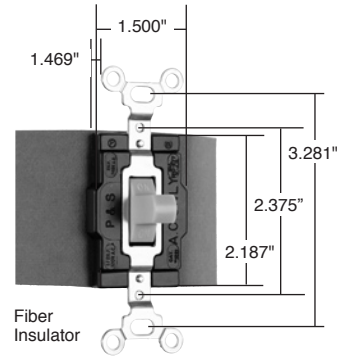


Applications

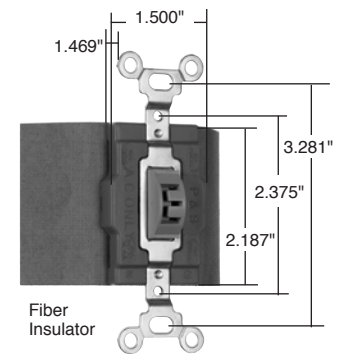
For ON-OFF control of motors on small machine tools, pumps, fans and air conditioning equipment that require heavy-duty AC Double Throw Center OFF controls.

Features

- Oversized silver alloy contacts for long life and better heat dissipation.
- Side wired terminals accept #14 – #10 AWG copper or copper-clad conductors.
- Fiber terminal insulation barriers standard.
- Can be mounted in standard device boxes or in NEMA 1 sheet steel enclosures.
- Bodies, covers and toggles molded of durable nylon.
- Single Pole-Double Throw and Double Pole-Double Throw.
- Locking Switches supplied with one 1498 NT key.
- Normally open.



Maintained and Momentary Contact



Locking

Catalog Number		Rating		Color
S.P.D.T.	D.P.D.T.	A.	VAC	
Maintained Contact Three Position – Two Circuit, Center Off				
1221I	1222I	15	120/277	Ivory
1221W	1222W	15	120/277	White
1221	1222	15	120/277	Brown
NEW 1221LA		15	120/277	Light Almond
1221L	1222L	15	120/277	Locking
1225I	1226I	20	120/277	Ivory
1225W	1226W	20	120/277	White
1225	1226	20	120/277	Brown
NEW 1225GRY		20	120/277	Gray
1225LA		20	120/277	Light Almond
1225L	1226L	20	120/277	Locking
1227I	1228I	30	120/277	Ivory
1227	1228	30	120/277	Brown
Maintained Contact Either Direction Two Position, No Center Off				
1275	1276	30	120/277	Brown
Momentary Contact Either Direction Three Position, Center Off				
1250I		15	120/277	Ivory
1250W		15	120/277	White
1250		15	120/277	Brown
1250GRY		15	120/277	Gray
1250RED		15	120/277	Red
1250L		15	120/277	Locking
1251I		20	120/277	Ivory
1251W		20	120/277	White
1251		20	120/277	Brown
1251GRY		20	120/277	Gray
1251LA		20	120/277	Light Almond
1251L		20	120/277	Locking
	NEW 1256I	30	120/277	Ivory
	NEW 1256W	30	120/277	White
1255	1256	30	120/277	Brown
1255L	1256L	30	120/277	Locking

Catalog Number	Description
Lock Switch Replacement Keys	
1498	Fits switches manufactured before 1976.
1498NT	Fits switches manufactured between 1976-present.

HP Conversion Table

1221 Series		1250 Series	
15 Amp	1/2 Horsepower at 120VAC 2 Horsepower at 240VAC	15 Amp	1/2 Horsepower at 120VAC 2 Horsepower at 240VAC
20 Amp	1 Horsepower at 120VAC 2 Horsepower at 240VAC	20 Amp	1 Horsepower at 120VAC 2 Horsepower at 240VAC
30 Amp	2 Horsepower at 120VAC 2 Horsepower at 240VAC	30 Amp	2 Horsepower at 120VAC 2 Horsepower at 240VAC

UL Listed.
CSA Certified.
All devices listed on this page conform to NEMA WD-1 and WD-6.