

<http://waterheatertimer.org/Programmable.html>

## TRADITIONAL TIME PIECES

When you're installing a timer for the first and last time, Paragon's WB100 Series is your timer of choice.

This series of In-Wall Programmable Time Controls is designed for installation in standard, single-gang, or 2-gang electrical wall boxes, and meets ASHRAE, state ventilation and indoor air quality standards for automatically controlling residential and commercial ventilation fans.

WB100's 24-hour control protects homeowners from prowlers while they are away by automatically turning lights ON and OFF, giving the home a lived-in look. When the automatic timer is unnecessary, a manual override switch allows the control to be set ON, OFF or AUTO.

### FEATURES & BENEFITS:

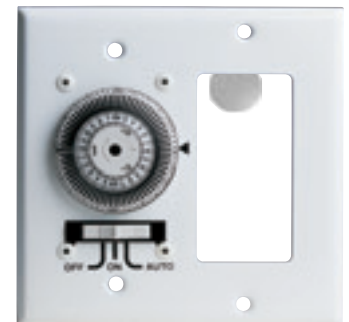
- ▶ Fast, easy installation saves contractors time and money.
- ▶ The 24-hour dial is divided into 72 separate 20-minute increments.
- ▶ Easily replaces a standard single-pole, single-throw toggle switch.
- ▶ AM/PM dial format allows for maximum settings flexibility.
- ▶ Each 20-minute increment is easily set by captive pins.
- ▶ UL and CSA listed means quality and durability are built into every time control.



WB101



WB102



WB103

## WHY ▶ *Specify Paragon*

Since 1903, Paragon has been the leader in time and process control technology. As inventor of the 24-hour time switch, Paragon's heritage of patents, unparalleled quality and solutions-driven innovations have made us one of the most recognized names in time control products.

# WB100 SERIES



## PHYSICAL

1-1/4" deep to fit into standard single-gang or 2-gang electrical wall box. Each unit is provided with 3 color coded lead wires, white wall plate, and mounting screws.

## ENVIRONMENTAL

Operating temperature range -40°F (-40°C) to 180°F (85°C)

Operating Humidity 0-95% RH non-condensing

The Paragon in-wall programmable time control should be mounted indoors in an area that is free of excessive contaminants such as oil, grease, dirt, etc.

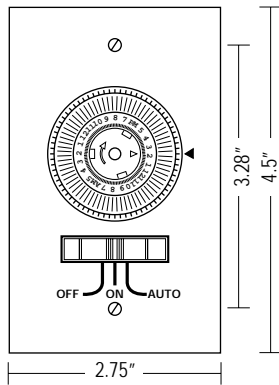
## ELECTRICAL SPECIFICATIONS

Contacts SPST, 20A @ 120 Vac, 60 Hz  
2400 W Resistive, 8A Inductive  
1350 W Tungsten, 1 Hp @ 120 Vac

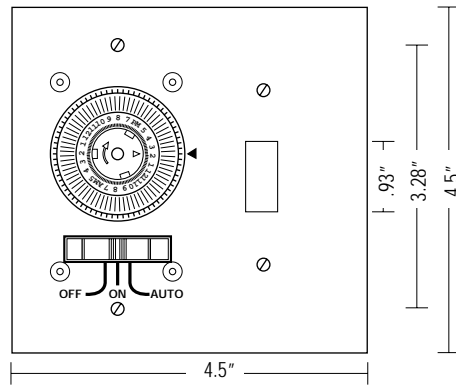
## HOW TO SPECIFY

Installer shall furnish and install Paragon In-wall programmable time control. Unit shall have the capability of being programmed for up to 36 ON/OFF cycles per 24 hour period. ON or OFF time increments are in 20 minute segments. An OFF-ON-AUTO override switch shall be provided for manual control. Control shall mount into a standard single-gang or 2-gang, 2-1/2" deep electrical wall box. Control contact ratings to be 20A resistive, 8A inductive 1 HP @ 120 Vac.

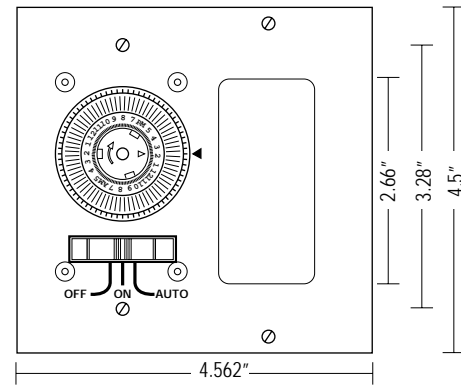
## DIMENSIONS



WB101

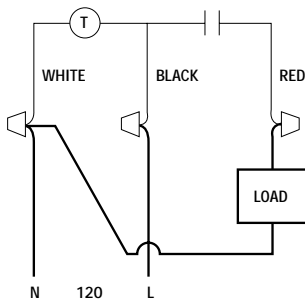


WB102



WB103

## TYPICAL WIRING DIAGRAM



Maple Chase Company  
2820 Thatcher Road  
Downers Grove, Illinois 60515-4040  
United States of America  
Telephone +1 800 951 5526  
Facsimile +1 630 963 0650

Canada  
Director of Canada Sales  
5785 Kennedy Road  
Mississauga, Ontario L4Z 2G3  
Telephone 1 905 890 5956  
Facsimile 1 905 890 6098

An Invensys company



Part Number 150-1442