



<http://waterheatertimer.org/Paragon-timers-and-manuals.html#7000>

DOUBLE DUTY CLOCKS

Flexibility escalates with Paragon's 7000 Series, which features a 7-day calendar allowing different ON/OFF schedules on different days of the week. This series is most often found in applications involving HVAC, fans, motors, 3-phase loads, and indoor/outdoor lighting. A maximum of four ON/OFF operations per day and 28 per week are enabled by this reliable switch. The switch allows for a three-hour minimum and 21-hour maximum ON or OFF time daily.

FEATURES & BENEFITS:

- ▶ Wiping contact blades maintain a consistent contact surface.
- ▶ Fast, easy, low-cost installation saves contractors time and money.
- ▶ Independent four-pole design.
- ▶ Robust, synchronous sealed motor is more durable and reliable.
- ▶ Clutched clock dial allows immediate testing of the load's ON/OFF status.
- ▶ Easy-to-read dial clearly indicates day (light) and night (dark).
- ▶ Heavy-duty terminals accommodate up to #8 AWG wire.
- ▶ Hasp for padlock or seal gives heightened security.
- ▶ UL and CSA listed means quality and durability are built into every time control.



WHY ▶ *Specify Paragon*

Since 1903, Paragon has been the leader in time and process control technology. As inventor of the 24-hour time switch, Paragon's heritage of patents, unparalleled quality and solutions-driven innovations have made us one of the most recognized names in time control products.

7000 SERIES



PHYSICAL

In NEMA 1 enclosure
 Weight Approximately 6.5 lbs.
 Dimensions Width 7-3/8"
 Height 11-3/8"
 Depth 3-19/32"

ENVIRONMENTAL

Models 7007-00, 7007-06, 7007-71, 7008-00, 7008-06, and 7008-71 are housed in a NEMA 1 indoor metal enclosure.

HOW TO SPECIFY

Installer shall furnish and install Paragon (Model No.) 7-Day General Purpose Time Control with (4PST-4 NO, 2 NO-2 NC) switch. Contacts to be rated at (40 amperes tungsten, 40 amperes non inductive) per pole up to 277 volts. Control shall have NEMA 1 indoor metal enclosure.

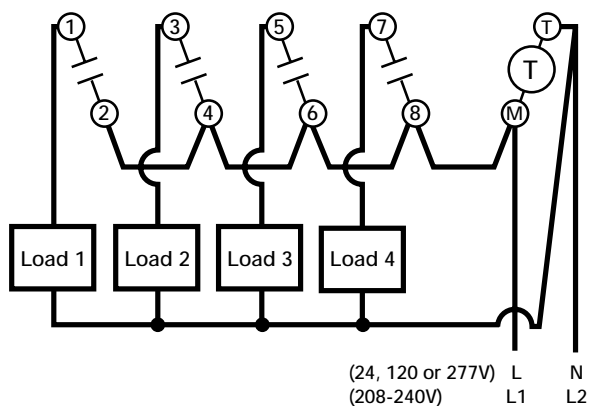
ELECTRICAL SPECIFICATIONS

Model	Switch Type	Switch Rating Per Pole			Wiring Diagram	AC Line Volts	Enclosure Type NEMA	Shipping Wgt.	
		Amp T	VA	Hp				Lb.	Kg.
7007-00	4PST-4 NO	40	690	-	1	120	1	6-1/2	2.9
7007-06*	4PST-4 NO	-	345	-	1	24	1	6-1/2	2.9
7007-71**	4PST-4 NO	40	690	-	1	208-277	1	6-1/2	2.9
7008-00	2 NO-2 NC	-	690	1	2	120	1	6-1/2	2.9
7008-06*	2 NO-2 NC	-	345	-	2	24	1	6-1/2	2.9
7008-71	2 NO-2 NC	-	690	1	2	208-277	1	6-1/2	2.9

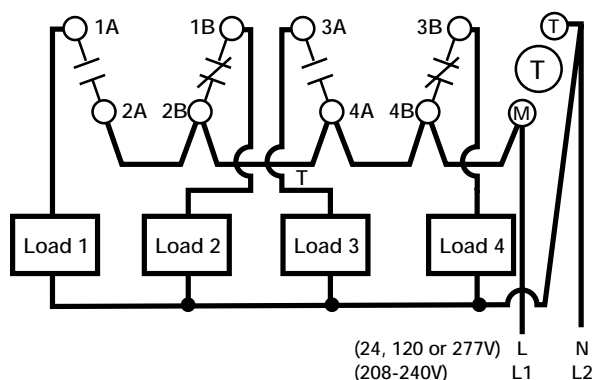
*Not UL or CSA listed.
 **Available in 50 Hz.

Hp rating (one pole only).
 Furnished with 7 sets on/off trippers.
 Switch rating per pole = 40 amp. Hertz = 60.

TYPICAL WIRING DIAGRAMS



#1 - 4PST-4 NO



#2 - 2 NO-2 NC

Maple Chase Company
 2820 Thatcher Road
 Downers Grove, Illinois 60515-4040
 United States of America
 Telephone +1 800 951 5526
 Facsimile +1 630 963 0650

Canada
 Director of Canada Sales
 5785 Kennedy Road
 Mississauga, Ontario L4Z 2G3
 Telephone 1 905 890 5956
 Facsimile 1 905 890 6098

An Invensys company



Part Number 150-1452