

Installation and Operating Instructions



CLOCK-OPERATED
SWITCH
521H

WIRING INSTRUCTIONS: Wire in accordance with National and Local Electrical Code requirements.

TO SET TRIPPERS: Place A (Bright) trippers at time load circuits should close. Place B (Dark) trippers at time load circuits should open. Extra trippers and bridges may be found in envelope. Trippers must be tight against dial rim. Tighten tripper screws with fingers only.

TO SET TIME: Grasp dial and rotate **CLOCKWISE ONLY** until correct day and time of day appear at time pointer.

DO NOT TURN TIME POINTER

TO REMOVE MOVEMENT FROM CASE: Remove terminal insulator and depress spring locking tab at top of case. Grasp dial and lift outward and upward.

TO REPLACE MOVEMENT: Slide terminal board into the grooves provided. Press at top of plate and movement will snap in.

THIS TIME SWITCH CONTROLS:

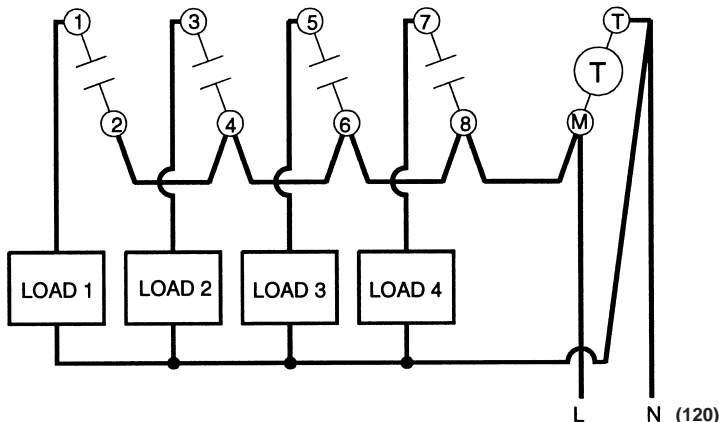
Load 1:

Load 2:

Load 3:

Load 4:

Contacts shown with hand trip lever in off position.



MAXIMUM LOAD RATING Per Pole

40A	Tungsten	120-277 Vac
40A	Resistive	120-277 Vac
690VA	Pilot Duty	120-277 Vac

Timing Motor 24V 60Hz



Maple Chase Company
2820 Thatcher Road
Downers Grove, Illinois 60515
Customer Service 800-951-5526
Technical Support 800-732-8400
Made in Mexico
ISO 9002 registered

Paragon Electric Canada, Ltd.
5785 Kennedy Road
Mississauga, Ontario L4Z 2G3
From outside North America
630-719-5500