

## Product Detail

632-00  
632 SERIES DEFROST CONTROLS



### Operating Instructions

**Load 1: Compressor.** Upon initiation of the defrost cycle, the bottom switch transfers, opening terminal contacts 1-4 (load 1) and closing terminal contacts 4-5 (load 4). This period is adjustable from 0 to 30 minutes.

**Load 2: Defrost.** At the end of this period, the top switch transfers opening terminal contacts 3-4 (load 3) and closing terminal contacts 2-4 (load 2). This period is adjustable from 3 to 45 minutes.

**Load 3: Fan Delay.** At the end of this period, the top switch transfers to its original position opening terminal contacts 2-4 (load 2) and closing terminal contacts 3-4 (load 3). This period is adjustable from 3 to 15 minutes.

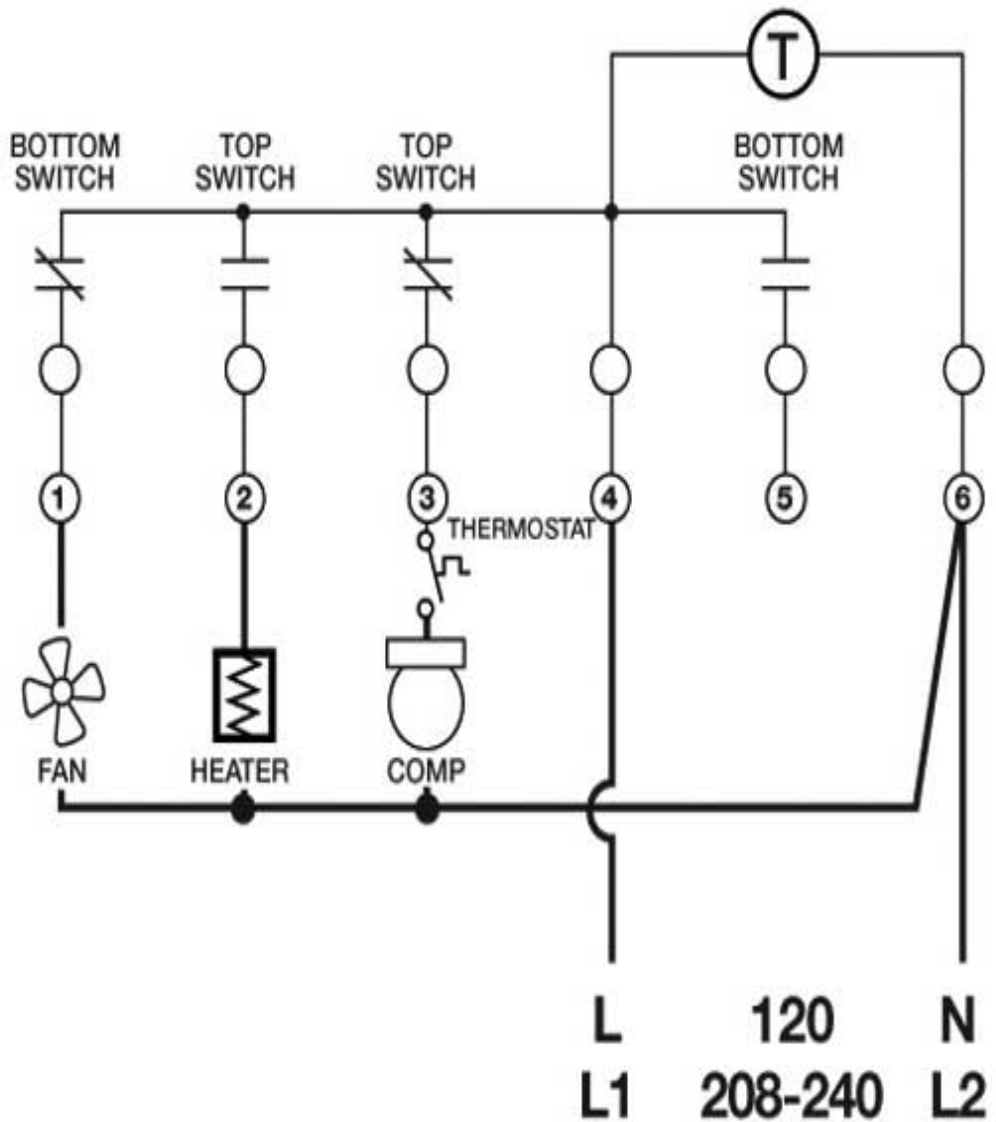
**Load 4: Drain Normally Closed Valve.** At the end of this period, the bottom switch transfers to its original position opening terminal contacts 4-5 (load 4) and closing terminal contacts 1-4 (load 1). This completes the defrost cycle and the system is back to its refrigeration cycle.

### Outline of Timing Sequence

1. At the initiation of the defrost cycle, load 1 opens and 4 closes.
2. 0 to 30 minutes later load 3 opens and load 2 closes.
3. 3 to 45 minutes later load 2 opens and load 3 closes.
4. 3 to 15 minutes later load 4 opens and load 1 closes, thus initiating the refrigeration cycle.

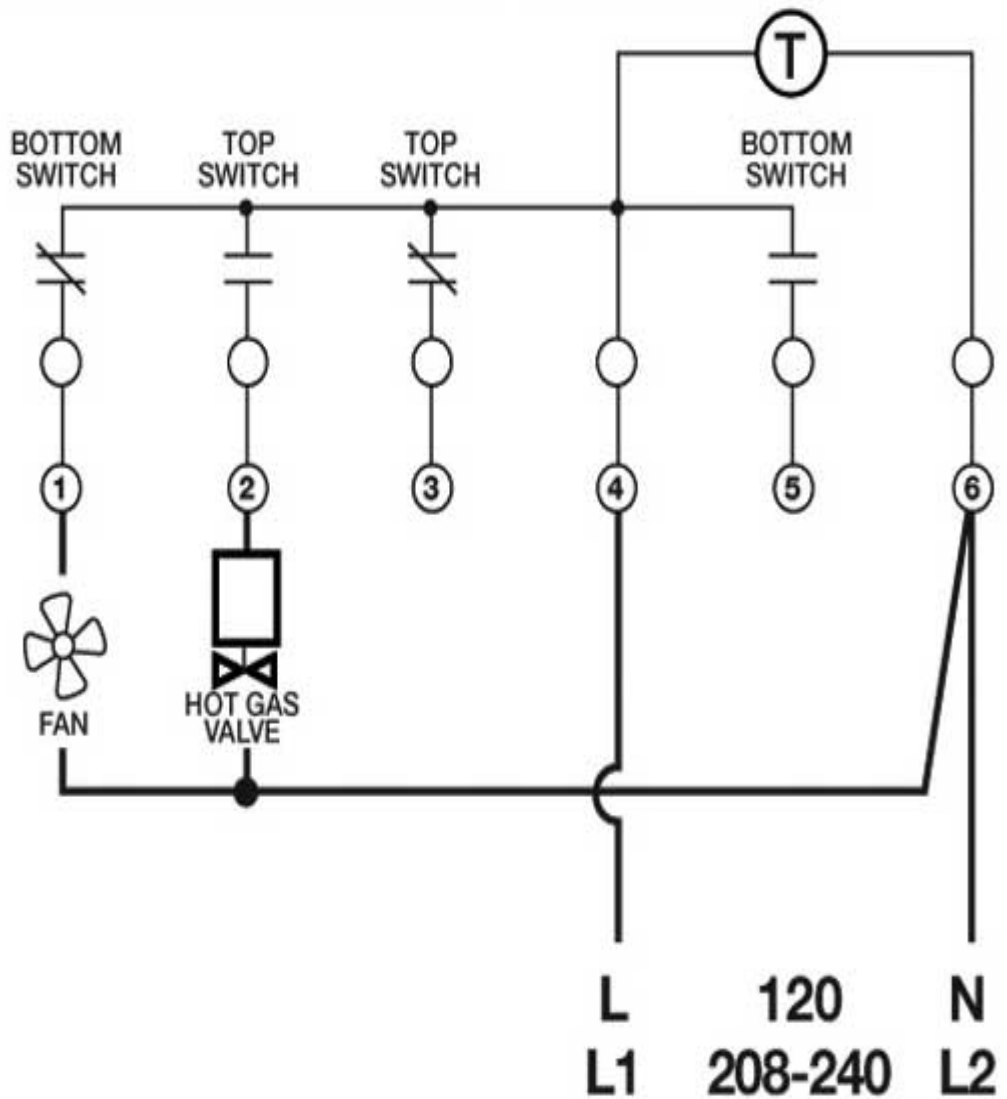
- Defrost initiation is adjustable from 1-8 cycles per day; minimum three hours between successive cycles.
- Delay or pump down cycle is adjustable from 0-30 minutes; 3 minute graduation: for stopping fans, reducing refrigerant pressure, or hot gas pump down cycle.
- 3-45 minutes defrost cycle; 3 min. graduation.
- Drain or fan delay cycle is adjustable from 3-15 minutes; 3 minute graduation.
- Sequence switching: 2 NO 2 NC.
- Switch ratings: 10 amps, 345 VA pilot duty 120-240 Vac. Switches 2-4 and 3-4 carry 1/2 Hp rating.
- Heavy steel gasketed case; gray finish, knockouts on bottom, side and back; hasp and staple for padlock. Available on bracket for sub-panel mounting.
- Shipping Weight: 4-3/4 lbs. (2.2 kgs.).
- Ru recognized and CSA approved.

# MODELS 632-00 AND 632-20



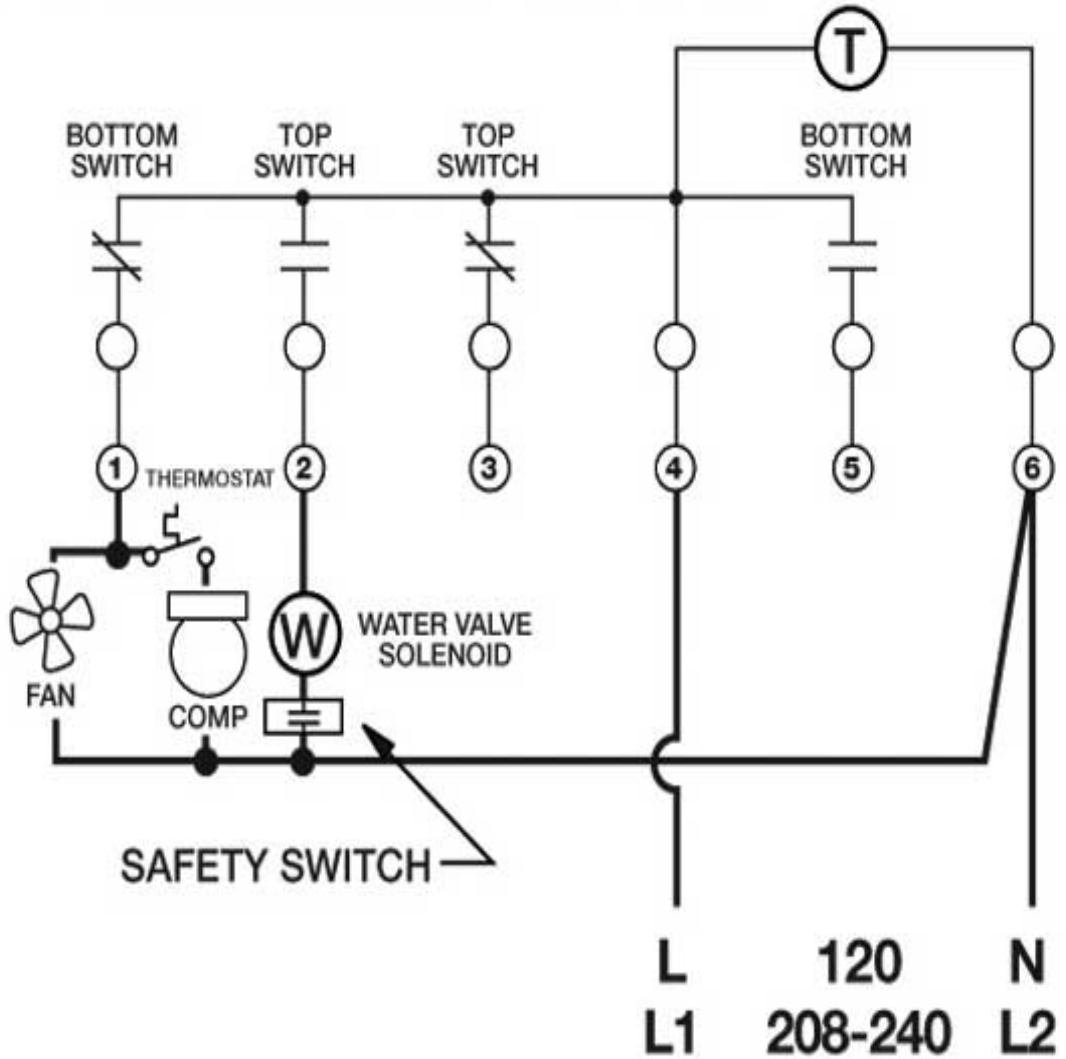
Electric heat defrosting with fan delay.

# MODELS 632-00 AND 632-20



Hot gas defrosting with fan delay.

# MODELS 632-00 AND 632-20



Water spray defrosting.