

<http://waterheatertimer.org/Paragon-timers-and-manuals.html>

PROCESS CONTROLS

The 42000 Series is ideal for applications that have the same required ON/OFF schedule of operations every 24 hours. These time switches are most often found in agricultural or livestock applications where plants and animals need daily attention, year-round.

FEATURES & BENEFITS:

- ▶ Fast, easy installation saves contractors time and money.
- ▶ 96 self-contained trippers enable 48 ON/OFF operations per day and 15-minute minimum ON or OFF time.
- ▶ Available in both 120 volt and 208-240 volts.
- ▶ Robust, sealed synchronous motor is more durable and reliable.
- ▶ Clutched clock dial allows immediate testing of the load's ON/OFF status.
- ▶ Metal NEMA 3 enclosure includes hasp for padlock or seal for heightened security.
- ▶ Available in SPST or DPST.
- ▶ UL and CSA listed means quality and durability are built into every time control.



WHY ▶ *Specify Paragon*

Since 1903, Paragon has been the leader in time and process control technology. As inventor of the 24-hour time switch, Paragon's heritage of patents, unparalleled quality and solutions-driven innovations have made us one of the most recognized names in time control products.

42000 SERIES



PHYSICAL

In NEMA 3 enclosure

Weight Approximately 7 lbs. (3.2 kg)

Dimensions Width 5-3/8"
Height 9-5/8"
Depth 4-3/16"

ENVIRONMENTAL

Models 42011-00, 42011-20, 42013-00, and 42013-20 are housed in a NEMA 3 indoor/outdoor metal enclosure.

HOW TO SPECIFY

Installer shall furnish and install Paragon (Model No.) 15-Minute Multiple Interval Time Control with 24-hour dial and (SPDT, SPST, DPST) switch. Isolated contacts to be rated at (10 amps at 120 volts, 5 amps at 208-240 volts, 5 amps at 480 volts) 125 VA pilot duty. Control shall have NEMA 3 indoor/outdoor metal enclosure.

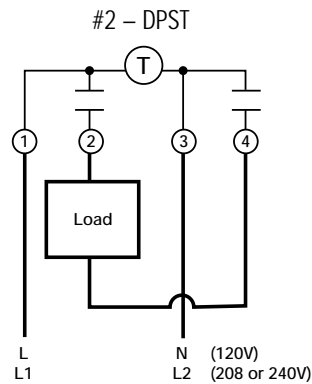
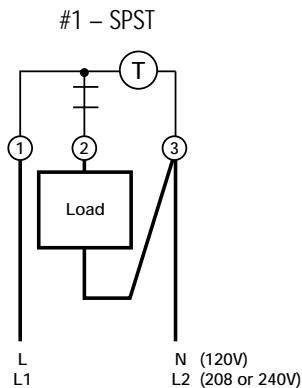
ELECTRICAL SPECIFICATIONS

Model	Switch Type	Switch Rating Per Pole			Wiring Diagram	AC Line Volts	Enclosure Type NEMA	Shipping Wgt.	
		Amp T	VA	Hp				Lb.	Kg.
42011-00	SPST	15	345	1	1	120	3	7	3.2
42011-20*	SPST	10	345	1	1	208-240	3	7	3.2
42013-00	DPST	15	345	1	2	120	3	7	3.2
42013-20	DPST	10	345	2	2	208-240	3	7	3.2

*Available in 50 Hz.

Models with suffix "B" are recognized under the component program of UL and CSA.
Hertz = 60.

TYPICAL WIRING DIAGRAMS



Maple Chase Company
2820 Thatcher Road
Downers Grove, Illinois 60515-4040
United States of America
Telephone +1 800 951 5526
Facsimile +1 630 963 0650

Canada
Director of Canada Sales
5785 Kennedy Road
Mississauga, Ontario L4Z 2G3
Telephone 1 905 890 5956
Facsimile 1 905 890 6098

An Invensys company



Part Number 150-1506