



24 HOUR TIME CONTROLS

4000, 4010 and 4210 Series -- One and One Half Hour Minimum ON or OFF Time -- One to 7 ON/OFF Operations per Day

24-hour dial with two to 14 replaceable trippers for one to 7 ON/OFF operations per day. One and one half hour minimum and 22-1/2 hour maximum ON or OFF time. Manual override lever temporarily reverses switch operation without permanently disturbing preset schedule. Switch slider bar assures positive switching. Heavy duty industrial type synchronous motor. Heavy duty terminals accommodate AWG #8 wire.

4000 Series - Standard NEMA 1 indoor metal enclosure side hinged with combination 1/2-3/4 inch knockouts in bottom and sides.

4010 Series - Standard NEMA 3 indoor/outdoor metal or NEMA Type 3R plastic enclosure side hinged with combination 1/2-3/4 inch knockouts in bottom and sides.

4210 Series - Standard NEMA 3 indoor/outdoor metal enclosed side hinged with combination 1/2 - 3/4 inch knockouts in bottom and sides. All have hasp for padlock or seal.

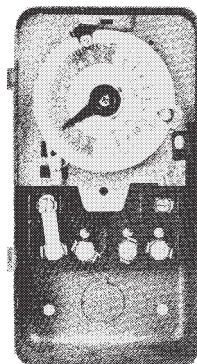
Optional skip-a-day feature allows schedule to be omitted on any day or days of the week without permanently disturbing preset schedule. Optional Astro Dial control adjusts for seasonal changes turning lights ON automatically at sunset and permitting OFF between 9:30 pm and 2:30 am or OFF at sunrise.

APPLICATIONS

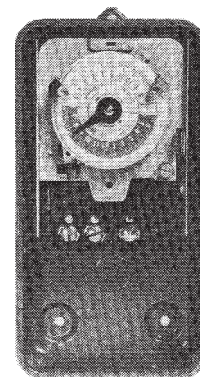
Indoor/Outdoor Lighting - Heating/Ventilating Systems - Post Lanterns - Signs - Pool Heaters - Air Conditioning - Music and Signal System - Conveyors - Blowers - Electric Fences - Motors - Pumps - Fans - Poultry - Foggers - Filters

HOW TO SPECIFY

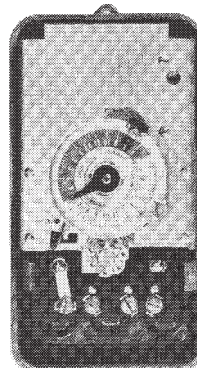
Installer shall furnish and install Paragon (model No.) 24-Hour General Purpose Time Control with (SPST, DPST, SPDT) switch. Contacts to be rated at 40 amperes tungsten per pole up to 277 volts. Control shall be in (NEMA 1 indoor metal, NEMA 3 indoor/outdoor metal, NEMA type 3R plastic) enclosure. Optional: Control shall have skip-a-day feature. Optional: Control shall have Astro Dial feature.



4000 Series



4010 Series



4210 Series



Time Control Model No.	EDP No. 4988 -	Switch Type	Switch Rating Per Pole				Wiring Diagram #	AC Line		Enclosed Type NEMA	Lb.	Price
			Amp	Amp T	VA	hp		Volts	Hz			
4000 Series - Standard NEMA 1 indoor metal enclosed.												
*4001-00	21250	SPST	40	40	690	1	1	120	60	1	2-1/2	\$45.61
4001-00B	21255	SPST	40	40	690	1	1	120	60	-	2-1/2	46.41
4001-00M	21251	SPST	40	40	690	1	1	120	60	-	1-1/8	44.27
4002-71	21210	SPST	40	40	690	1	2	208-277	60	1	2-1/2	50.80
4002-71B	21211	SPST	40	40	690	1	2	208-277	60	-	2-1/2	54.39
4003-00	21290	DPST	40	40	690	1	3	120	60	1	2-1/2	50.54
4003-00M	21291	DPST	40	40	690	1	3	120	60	-	1-1/8	48.40
4004-71	21220	DPST	40	40	690	1	4	208-277	60	-	2-1/2	52.97
4004-71B	21225	DPST	40	40	690	1	4	208-277	60	1	2-1/2	57.04
4004-71M	21385	DPST	40	40	690	1	4	208-277	60	-	1-1/8	51.55
4005-00B	21389	SPDT	40	40	690	1	5	120	60	-	2-1/2	52.24
With Skip-A-Day - Allows schedule to be omitted on any day or days of the week without permanently disturbing preset schedule.												
4003-00S	21350	DPST	40	40	690	1	3	120	60	1	2-1/2	64.59
*4003-00SB	21355	DPST	40	40	690	1	3	120	60	-	2-1/2	67.31
4006-71S	20420	SPDT	40	40	690	1	6	208-277	60	1	2-1/2	77.41
*4003-00SM	21351	DPST	40	40	690	1	3	120	60	-	1-1/8	68.61
4004-06S	21316	DPST	40	40	690	-	7	24	60	1	2-1/2	84.12
4004-71S	21380	DPST	40	40	690	1	4	208-277	60	1	2-1/2	75.21
4005-00S	21390	SPDT	40	40	690	1	5	120	60	1	2-1/2	67.21
4005-00SB	21391	SPDT	40	40	690	1	5	120	60	-	2-1/2	69.80
4007-06S	21552	SPDT	40	40	690	-	8	24	60	1	3-1/2	80.48
4007-06SB	21553	SPDT	40	40	690	-	8	24	60	-	2	85.77
With Skip-A-Day and Astro Dial - Adjusts for seasonal changes in sunrise and sunset times.												
**4003-00SZ32	40415	DPST	40	40	690	1	3	120	60	1	3	105.62
**4004-71SZ32	40440	DPST	40	40	690	1	4	208-277	60	1	3	118.61
**4005-00SZ32	40465	SPDT	40	40	690	1	5	120	60	1	3	109.29
**4006-71SZ32	40490	SPDT	40	40	690	1	6	208-277	60	1	3	118.10

* Available in 50Hz

**1 ON and 1 OFF operation per day.

Models with suffix "B" or "M" are recognized under the component program of UL and CSA.

When ordering Astro Dial, indicate city and state nearest installation.

For enclosure dimensions just call any of the toll free numbers on the back of this catalog.

Furnished with one set of ON/OFF trippers additional trippers available.

Suffix Key:

B=Bracket Mount

M=Movement

R=Resistor

S=Skip-A-Day

T=Transformer

Z=Astro Dial

Enclosure Key

1=NEMA 1 Indoor Metal

3=NEMA 3 Indoor/Outdoor Metal

3R=NEMA Type 3R Indoor/Outdoor Plastic

24 HOUR TIME CONTROLS Continued

Time Control Model No.	EDP No. 4988 -	Switch Type	Switch Rating Per Pole				Wiring Diagram #	AC Line		Enclosed Type NEMA	Lb.	Price
			Amp	Amp T	VA	hp		Volts	Hz			
Leaves load ON during days scheduled to be skipped												
4008-20S	21560	DPST	40	40	690	1	4	208-240	60	1	2-1/2	\$75.29
4010 Series - Standard NEMA 3 indoor - outdoor metal or NEMA type 3 R plastic enclosure.												
4011-00	21580	SPST	40	40	690	1	1	120	60	3	4-3/4	72.40
4011-00P	21585	SPST	40	40	690	1	1	120	60	3R	1-3/8	53.97
4013-00	21620	DPST	40	40	690	1	3	120	60	3	4-3/4	80.99
4013-00P	21621	DPST	40	40	690	1	3	120	60	3R	1-3/8	58.82
4014-71	21640	DPST	40	40	690	2	4	208-277	60	3	4-3/4	78.24
4014-71P	40147	DPST	40	40	690	2	4	208-277	60	3R	1-3/8	61.18
With Skip-Day - Allows schedule to be omitted on any day or days of the week without permanently disturbing preset schedule.												
4013-00S	21670	DPST	40	40	690	1	3	120	60	3	4-3/4	96.10
4014-71S	21698	DPST	40	40	690	1	4	208-277	60	3	4-3/4	101.77
With Skip-A-Day and Astro Dial - Adjusts for seasonal changes in sunrise and sunset times.												
**4013-00SZ32	40515	DPST	40	40	690	1	3	120	60	3	5-1/2	132.18
**4014-71SZ32	40540	DPST	40	40	690	1	4	208-277	60	3	5-1/2	134.85
**4015-00SZ32	40565	SPDT	40	40	690	1	5	120	60	3	5-1/2	134.85
4210 Series - Standard NEMA 3 indoor/outdoor metal enclosure with spring wound carry-over and Skip-A-Day.												
4213-00S	21810	DPST	40	40	690	1	3	120	60	3	6	302.77
4214-20S	21838	DPST	40	40	690	1	4	208-240	60	3	6	307.61
4214-27S	21931	DPST	40	40	690	1	4	277	60	3	6	307.61
4215-00S	21850	SPDT	40	40	690	1	5	120	60	3	6	302.77
With Skip-A-Day and Astro Dial												
**4213-00SZ32	40590	DPST	40	40	690	1	3	120	60	3	6-1/2	402.28
**4214-20SZ32	40615	DPST	40	40	690	1	4	208-240	60	3	6-1/2	407.60
**4214-27SZ32	40640	DPST	40	40	690	-	4	277	60	3	6-1/2	407.60
**4215-00SZ32	40665	SPDT	40	40	690	1	5	120	60	3	6-1/2	402.28

* Available in 50Hz

**1 ON and 1 OFF operation per day.

Models with suffix "B" or "M" are recognized under the component program of UL and CSA.

When ordering Astro Dial, indicate city and state nearest installation.

For enclosure dimensions just call any of the toll free numbers on the back of this catalog.

Furnished with one set of ON/OFF trippers additional trippers available.

Suffix Key:

B=Bracket Mount

M=Movement

R=Resistor

S=Skip-A-Day

T=Transformer

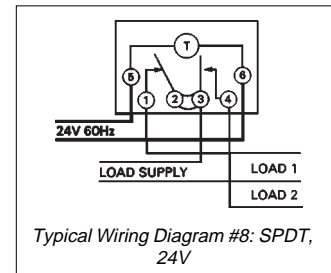
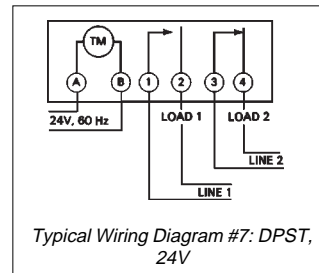
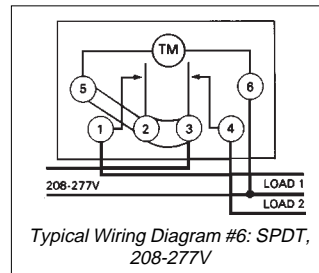
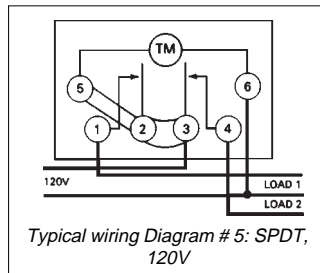
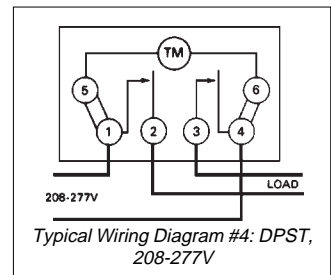
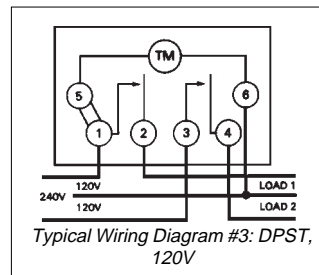
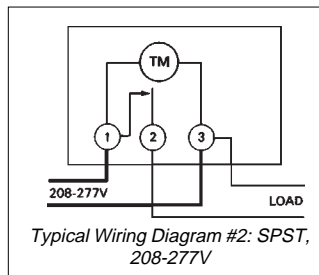
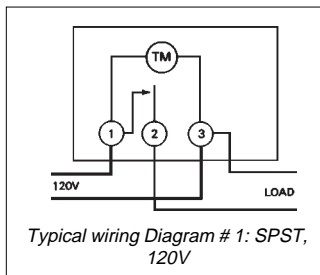
Z32=Astro Dial preset

Enclosure Key

1=NEMA 1 Indoor Metal

3=NEMA 3 Indoor/Outdoor Metal

3R=NEMA Type 3R Indoor/Outdoor Plastic



EC7000

Series are single-channel, electronic time controls that provide simple, inexpensive control of electrical loads with a time-of-day schedule. When schedules vary from day to day, the 7-day programming capability allows a different schedule for each day of the week. With 16 setpoints available, the EC7000 Series provides programming versatility.

Models are also available to provide two individually programable durations of one to 59 seconds in addition to the maintained ON and OFF setpoints. This provides ideal control for bell or chime ringing in schools and factories.

The EC7000 Series Controls are ideal for indoor and outdoor lighting, billboard and security lighting, school crossing lights, heating, ventilating, bell, chime and buzzer ringing, water heater and security system control.

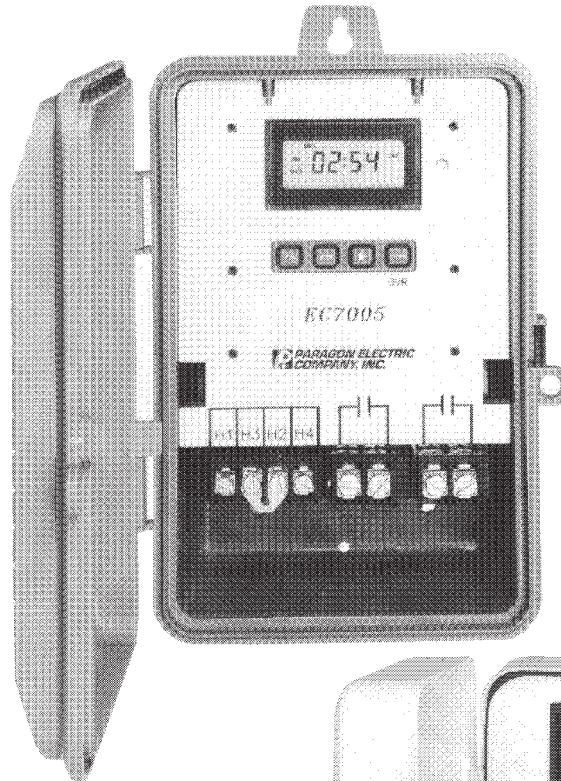
24-hour or 7-day programming - 7-day programming allows greater flexibility thus added energy savings by allowing loads to remain on only when needed

4-day minimum power outage carry-over without the use of batteries. Eliminates the need to replace batteries and the environmental concerns of battery disposal

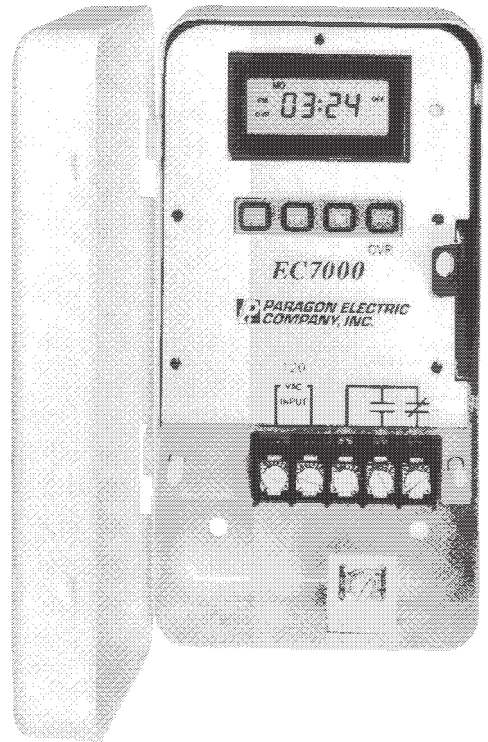
16 setpoints

30 amp heavy duty relay output allows switching most electrical loads without the use of contactors

To-the-minute programming with just four keys and a large easy to read display that uses visual prompts for ease of programming



NEW



SPST, SPDT, DPST switching

Designed for high immunity to electrical noise

Momentary feature available

Recessed reset button

Available in NEMA Type 3R (EC7005) or NEMA 1 (EC7000) enclosures

SPECIFICATIONS

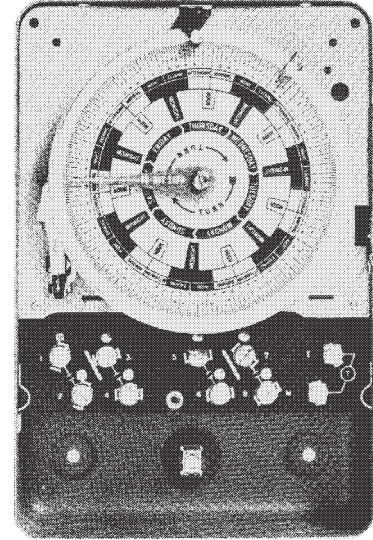
Model No.	EDP No. 4988 -	Rating Per Pole	Type of Output	Enclosure Type	Price
One-Channel / 7-Day with Batteryless Carry-Over					
EC7000/24V	70024	20A	SPDT	NEMA 1	\$ 112.81
EC7000/120V	70120	20A	SPDT	NEMA 1	110.34
EC7000/208-277V	70087	20A	SPDT	NEMA 1	110.34
EC7004/120V	74120	30A	SPST	NEMA 1	107.95
EC7004/208-277V	74208	30A	SPST	NEMA 1	107.95
EC7005PC/120,208-240V	43740	30A	DPST	NEMA 3R	123.34
EC7005PC/277V	43745	30A	DPST	NEMA 3R	134.84
One-Channel / 7-Day with Momentary Contact Signal Feature					
EC7001/24V	70124	20A	SPDT	NEMA 1	155.88
EC7001/120V	71120	20A	SPDT	NEMA 1	147.68
EC7001/208-277V	70107	20A	SPDT	NEMA 1	147.68

7000 and 7210 Series

Four Pole, Three Hour Minimum ON or OFF Time. Four ON/OFF Operations per day, 28 per Week

7-day calendar permits different ON/OFF schedules on different days of the week. Maximum of four ON/OFF operations per day and 28 per week. Three hour minimum and 21 hour maximum ON or OFF time per day. Independent four pole design allows for SPST, DPST or SPDT switching. Manual override lever temporarily reverses switch operation without permanently disturbing preset schedule. Switch slider bar assures positive switching. Heavy duty industrial type synchronous motor. Heavy duty terminals accommodate up to AWG #8 wire. Optional spring wound carry-over to take over during power outage, keeping control running up to 10 hours. Only two hour wind up required for each hour of power outage.

7000 Series - Standard NEMA 1 indoor metal enclosure side hinged with combination 1/2-3/4 inch knockouts in bottom and side. Hasp for padlock or seal. Standard 7210 Series - NEMA 3 indoor/outdoor metal enclosure side hinged with combination 1/2-3/4 inch knockouts in bottom and sides. Hasp for padlock or seal.



Applications

· HVAC · Indoor/Outdoor Lighting · Fans · Pumps · Motors · 3 Phase Loads

How to Specify

Installer shall furnish and install Paragon (Model No.) 7-Day General Purpose Time Control with (4PST-4 NO, 2 NO-2NC) switch. Contacts to be rated at (40 amperes tungsten, 40 amperes noninductive) per pole up to 277 volts. Control shall have (NEMA 1 indoor metal, NEMA 3 indoor/outdoor metal) enclosure. Optional: Control shall have spring wound carry-over.

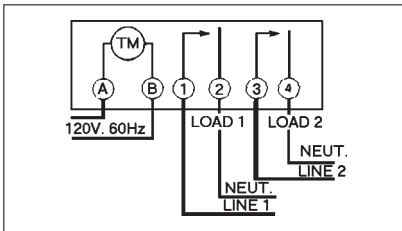
Time Control Model No.	EDP No. 4988 -	Switch Type	Switch Rating Per Pole				Wiring Diagram #	AC Line		Enclosed Type NEMA	Lb.	Price
			Amp	Amp T	VA	hp		Volts	Hz			
**7007-00	22050	4PST-4 NO	40	40	690	-	1	120	60	1	6-1/2	\$102.04
*7007-06	22056	4PST-4NO	40	-	345	-	1	24	60	1	6-1/2	115.71
7007-71	22069	4PST-4 NO	40	40	690	-	1	208-277	60	1	6-1/2	106.47
7008-00	22070	2 NO-2 NC	40	-	690	1	2	120	60	1	6-1/2	102.04
*700806	22076	2 NO-2 NC	40	-	345	-	2	24	60	1	6-1/2	115.97
7008-71	22090	2 NO-2 NC	40	-	690	1	2	208-277	60	1	6-1/2	106.47

7210 Series - With spring wound carry-over

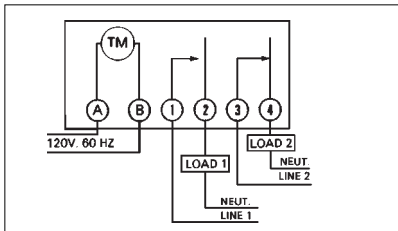
7217-00	22160	4PST-4 NO	40	40	690	-	1	120	60	3	10	292.58
7217-20	22168	4PST-4 NO	40	40	690	-	1	208-240	60	3	10	314.02
7218-00	22180	2 NO-2 NC	40	-	690	1	2	120	60	3	10	292.58
7218-20	22188	2 NO-2 NC	40	-	690	1	2	208-240	60	3	10	314.02

*Not UL or CSA listed
** Available in 50 Hz

Furnished with 7 sets of ON/OFF trippers for additional sets just call any of the toll free numbers on the back of this catalog. SPDT, DPST or DPDT operation possible by using extra bridges (furnished). HP rating (one pole only).



Typical Wiring Diagram #1:
DPST, 120V



Typical Wiring Diagram #2"
1SPST-NO; 1SPST-NC, 120V

Prices listed in this catalog are for estimating purposes. Prices were correct first column net at the time the pages were composed. Prices are subject to change without notice. Quantity prices are available. Please call any of the toll free numbers on the back cover for current and/or quantity prices.

MULTI-CHANNEL 7-DAY ELECTRONIC TIME CONTROLS ARE AVAILABLE FROM PARAGON

Series EC72 and EC72D are seven-day, two-channel, time controls that are used for switching two different electrical circuits according to a preset, time-of-day program, providing precise control from a central location and common time base. Each channel can be programmed for 16 events per day, for a total capacity of 112 events per week per channel.

The EC74 family of controls are designed for control of up to four different loads with different ON/OFF time-of-day schedules. Each of the four channels are independently programmable for each day of the week, plus a special eighth day holiday program. The astro dial feature on some models eliminates need for a photocell. The control can be programmed for automatic daylight savings time changeover for spring and fall.

The model EC74/192MA is capable of 192 total events, or 48 events available for each of 4 channels. 16 events available per program; each day of the week can be assigned an A, B and C set of events or SKIP (no ON operating). The A, B and C programs of each channel can contain up to 8 ONs and 8 OFFs, or one momentary duration

**NEW!!! EC4000 Series
24-Hour, Single-Channel, Capacitor Carry-Over**

The EC4000 Series are 24-hour, single-channel, electronic time controls that provide simple, inexpensive control of electrical loads with a time-of-day schedule. As a 24-hour control, the same ON/OFF schedule is utilized each day. Saturday and/or Sunday, or any other day(s) of the week may be skipped. The skipped day(s) can be either load ON all day or load OFF all day, depending upon the application. Sixteen events are available to provide programming versatility. An event defines an activity either load ON or load OFF. The EC4000 Series are available in either a NEMA 1 metal enclosure or a NEMA Type 3R non-metallic enclosure for indoor or outdoor use.

Features

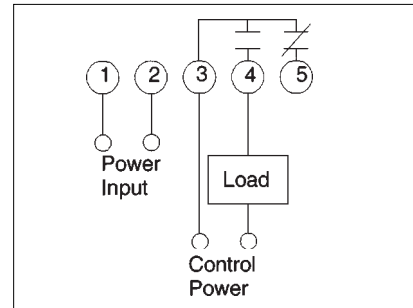
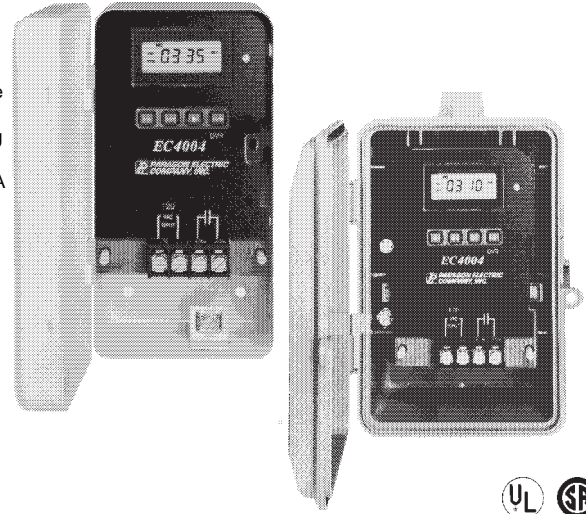
- Power outage carry-over maintains time and program in the event of a power outage for a minimum of four days without a battery.
- 16 events per day can accommodate almost any schedule.
- Low cost to provide fast return on investment.
- 20 or 30 amp heavy duty relays available to allow switching of most electrical loads without the use of contactors.
- Just four keys and a large easy to read display for easy programming.

Applications

Indoor/Outdoor Lighting · Security Lighting · Water Heaters Ventilating · Air Conditioning · Heating · Security Systems

How to Specify

Installer shall furnish and install Paragon EC4000, EC4004 or EC4005 Electronic Time Control. The single-channel control shall have 24-hour capability with 16 events available. Control shall have keyboard override until overridden again or until next event is reached. Control shall provide 4 days power outage carry-over without a battery. The digital time display shall be 5/8" in height. Clock format shall be selectable, allowing a choice of 12 hour (AM/PM) or 24 hour format. An "ON" or "OFF" display will indicate the current status of the load control contacts. Wiring terminals shall have the capability to accommodate #16 to #10 AWG wire. Control shall be housed in a NEMA 1 lockable steel enclosure or a NEMA type 3R nonmetallic lockable enclosure to guard against vandalism or tampering.

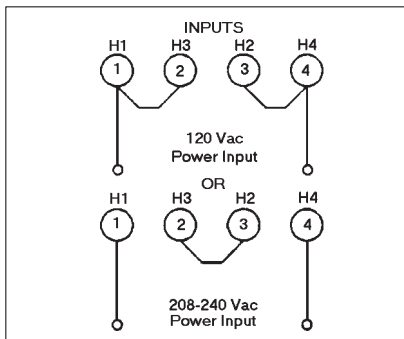


Typical Wiring Diagram For EC4000

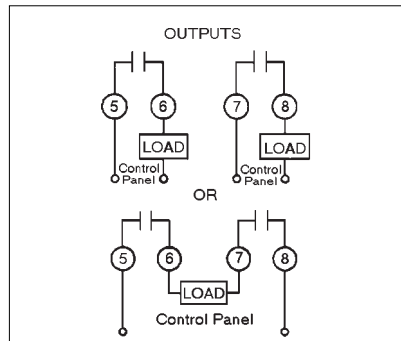
Time Control Model No.	EDP No. 4988 -	Voltage	Hz	Power Consumption	Output Switch Rating - 1 SPDT relay with contacts rated as follows:				Enclosure Type NEMA	Lb.	Price
					Normally Open		Normally Closed				
					Amp	hp	Amp	hp			
EC4000/120	40120	120Vac	50/60	4 VA	20	1	10	1/4	1	2	\$55.56
EC4000P/120	47120	120Vac	50/60	4 VA	20	1	10	1/4	3R	2-1/2	79.77
EC4000/240	40240	208-240Vac	50/60	4 VA	20	2	10	1/2	1	2	72.55
EC4000P/240	42240	208-240Vac	50/60	4 VA	20	2	10	1/2	3R	2-1/2	92.83
EC4004/120	44120	120Vac	50/60	4 VA	30	1	-	-	1	2	55.38
EC4004P/120	43120	120Vac	50/60	4 VA	30	1	-	-	3R	2-1/2	78.06
EC4004/240	44240	208-240Vac	50/60	4 VA	30	2	-	-	1	2	70.04
EC4004P/240	43240	208-240Vac	50/60	4 VA	30	2	-	-	3R	2-1/2	80.63
*EC4005/120, 208-240	45120	120/208-240Vac	50/60	4 VA	30	-	-	-	3R	2	102.85

For additional information please call any of the toll free numbers on the back of this catalog and request Spec Data Sheet #2216

* DPST, 1 hp at 120Vac, 3 hp at 240 Vac.



Typical Wiring Diagram For EC4005



Typical Wiring Diagram For EC4005

Enclosure Key:
1=NEMA 1 indoor Metal
3=NEMA Indoor/Outdoor Metal
3R=NEMA Type 3R Indoor/Outdoor Plastic