

Replacement 120 volt timer from Intermatic

<http://waterheatertimer.org/How-to-wire-T101-timer.html>

PROCESS CONTROLS

Paragon's 1015 Series is ideal for those who want to omit a day or days of the week without disturbing a preset schedule. Each SPDT time switch model includes the Skip-A-Day feature which is most often found on oil well pumps or in applications such as schools or businesses closing down for weekends or holidays.

If voltage flexibility is an issue, the 1015 series offers multiple voltages depending on the wiring, such as the 1015-00RS at 120V or 208-240V dual voltage or the 1015-40TS at 480 voltage.

FEATURES & BENEFITS:

- ▶ Fast, easy installation saves contractors time and money.
- ▶ Skip-A-Day feature allows maximum programming flexibility.
- ▶ NEMA 3 enclosure provides protection from the elements. Metal enclosure includes hasp for padlock or seal for heightened security.
- ▶ 96 self-contained trippers enable 48 ON/OFF operations per day and 15-minute minimum ON or OFF time.
- ▶ Robust, synchronous sealed motor is more durable and reliable.
- ▶ Clutched clock dial allows immediate testing of the load's ON/OFF status.
- ▶ UL and CSA listed means quality and durability are built into every time control.



WHY ▶ *Specify Paragon*

Since 1903, Paragon has been the leader in time and process control technology. As inventor of the 24-hour time switch, Paragon's heritage of patents, unparalleled quality and solutions-driven innovations have made us one of the most recognized names in time control products.

1015 SERIES



PHYSICAL

In NEMA 3 enclosure

Weight Approximately 9 lbs. (4.1 kg)

Dimensions Width 5-3/8"

Height 9-5/8"

Depth 4-3/16"

ENVIRONMENTAL

Models 1015-00RS and 1015-40TS are housed in a NEMA 3 indoor/outdoor metal enclosure.

HOW TO SPECIFY

Installer shall furnish and install Paragon (Model No.) 15-Minute Multiple Interval Time Control with 24-hour dial and (SPDT, SPST, DPST) switch. Isolated contacts to be rated at (10 amps at 120 volts, 5 amps at 208-240 volts, 5 amps at 480 volts) 125 VA pilot duty. Control shall have skip-a-day feature. Control shall have NEMA 3 indoor/outdoor metal enclosure.

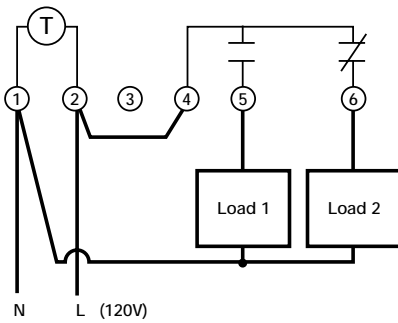
ELECTRICAL SPECIFICATIONS

Model	Switch Type	Switch Rating Per Pole			Wiring Diagram	AC Line Volts	Enclosure Type NEMA	Shipping Wgt.	
		Amp T	VA	Hp				Lb.	Kg.
1015-00RS	SPDT	10	-	-	1	120	3	9	4.1
		5	125	-	2	208-240	3	9	4.1
1015-00RSB	SPDT	10	-	-	1	120	-	8-1/2	3.9
		5	125	-	2	208-240	-	8-1/2	3.9
1015-40TS	SPDT	5	125	-	3	480	3	9	4.1

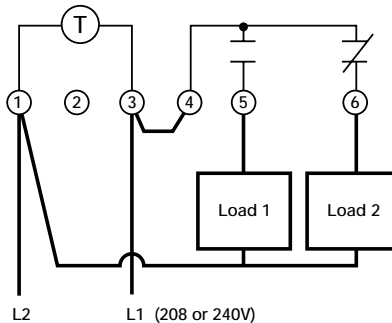
*Available in 50 Hz.

Models with suffix "B" are recognized under the component program of UL and CSA. Hertz = 60.

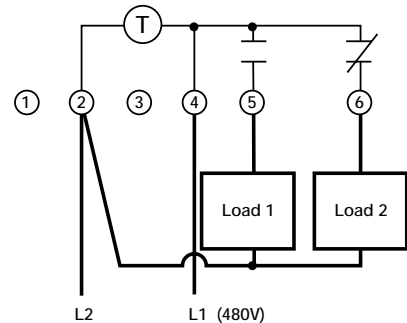
TYPICAL WIRING DIAGRAMS



#1 - SPDT



#2 - SPDT



#3 - SPDT

Maple Chase Company
2820 Thatcher Road
Downers Grove, Illinois 60515-4040
United States of America
Telephone +1 800 951 5526
Facsimile +1 630 963 0650

Canada
Director of Canada Sales
5785 Kennedy Road
Mississauga, Ontario L4Z 2G3
Telephone 1 905 890 5956
Facsimile 1 905 890 6098

An Invensys company



Part Number 150-1451