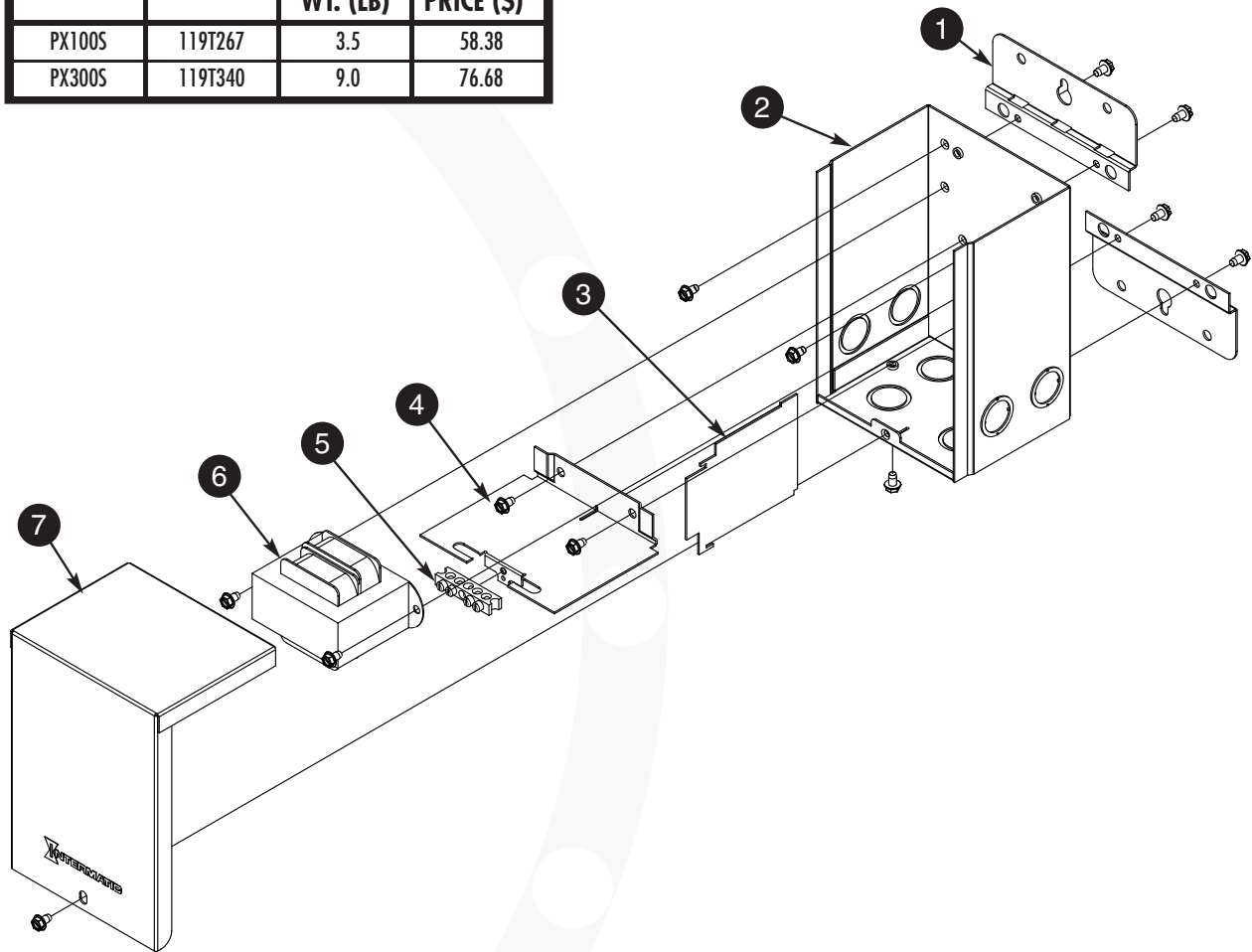


Genuine Pool & Spa Replacement Parts

INTERMATIC® REPLACEMENT PARTS - POOL/SPA CONTROLS

PX100S and PX300S Pool/Spa Light Transformers

MODEL NO.	ITEM NO. 6	SHIPPING WT. (LB)	LIST PRICE (\$)*
PX100S	119T267	3.5	58.38
PX300S	119T340	9.0	76.68



Item No.	Description	Part No.	SHIPPING WT. (LB)	LIST PRICE (\$)*
1	Bracket - Mounting (1) per pack	22T698	0.5	15.70
2	Housing - Enclosure	24T5917	3.0	63.16
3	Plate - Divider, Vertical	24T5661	0.5	14.20
4	Plate - Divider, Horizontal	24T5169	0.5	14.98
5	Terminal Bar - Grounding	130T1103	0.3	12.58
6	Transformer	See table above.	-	-
7	Cover - Enclosure	6T2395-CLR	1.5	39.10

* Prices are subject to change without notice