

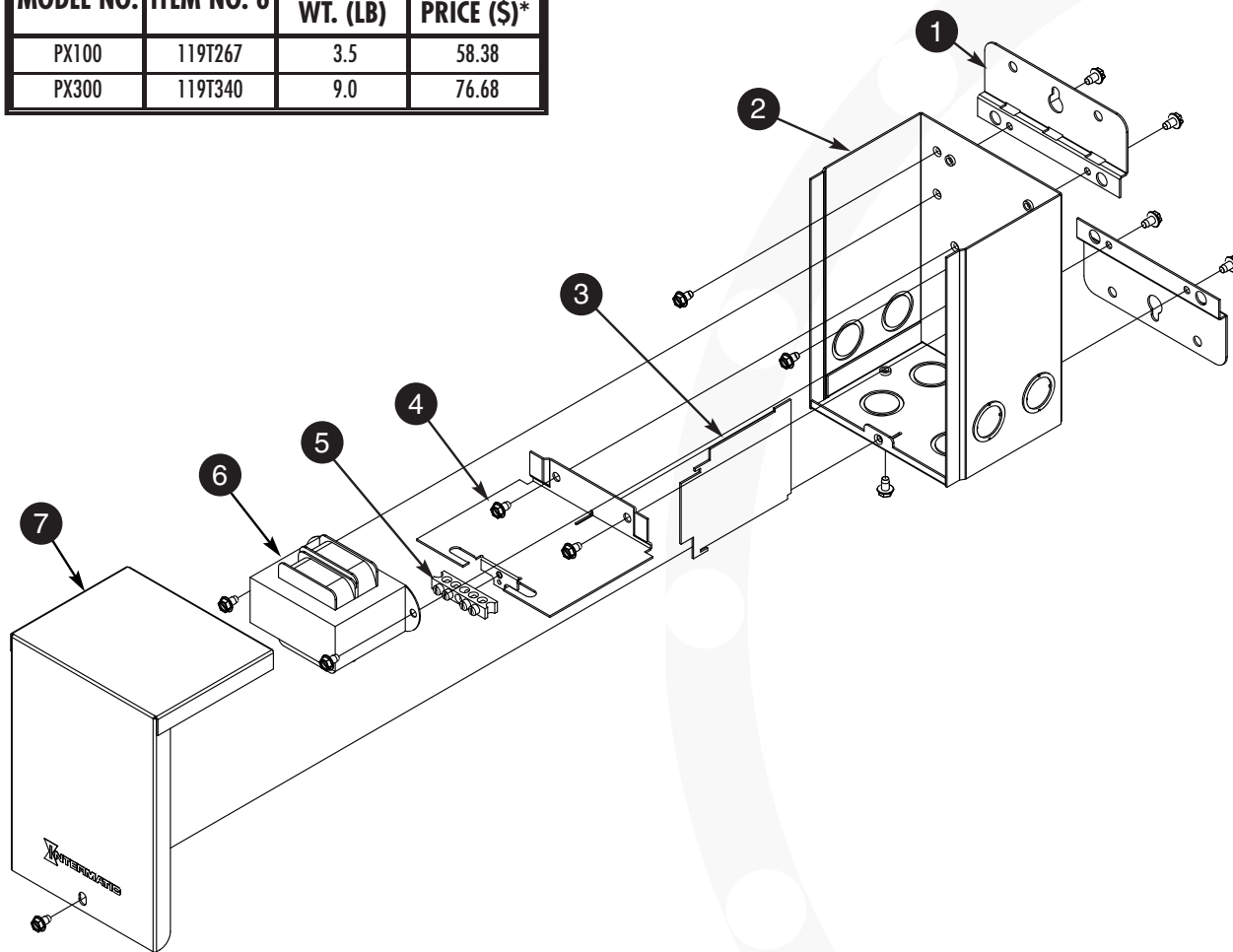


Genuine Pool & Spa Replacement Parts

INTERMATIC® REPLACEMENT PARTS - POOL/SPA CONTROLS

PX100 and PX300 Pool/Spa Light Transformers

| MODEL NO. | ITEM NO. 6 | SHIPPING WT. (LB) | LIST PRICE (\$)* |
|-----------|------------|-------------------|------------------|
| PX100 | 119T267 | 3.5 | 58.38 |
| PX300 | 119T340 | 9.0 | 76.68 |



| Item No. | Description | Part No. | SHIPPING WT. (LB) | LIST PRICE (\$)* |
|----------|---------------------------------|------------------|-------------------|------------------|
| 1 | Bracket - Mounting (1) per pack | 22T608 | 0.5 | 13.24 |
| 2 | Housing - Enclosure | 24T5155 | 3.0 | 34.60 |
| 3 | Plate - Divider, Vertical | 24T5154 | 0.5 | 12.10 |
| 4 | Plate - Divider, Horizontal | 24T5169 | 0.5 | 14.98 |
| 5 | Terminal Bar - Grounding | 130T1103 | 0.3 | 12.58 |
| 6 | Transformer | See table above. | - | - |
| 7 | Cover - Enclosure | 6T1930 | 1.5 | 21.94 |

* Prices are subject to change without notice