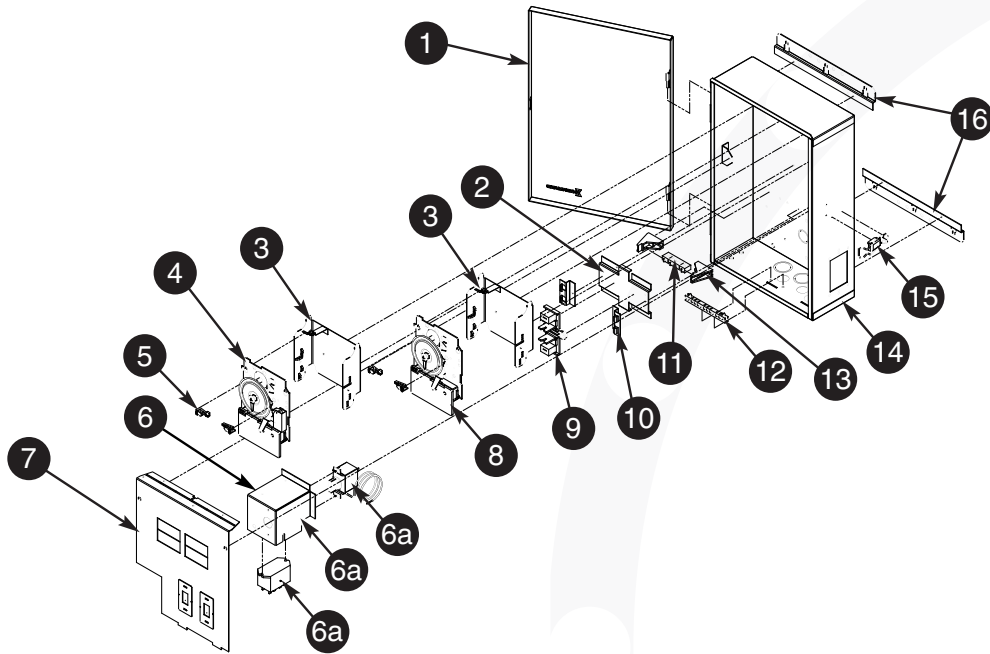


# Genuine Pool & Spa Replacement Parts

## INTERMATIC® REPLACEMENT PARTS - POOL/SPA CONTROLS

### PF1222TB Freeze Protection Control



Item No.	Description	Part No.	SHIPPING WT. (LB)	LIST PRICE (\$)*
1	Cover - Enclosure	6RC2344A	4.0	44.15
2	Plate - Breaker Mounting	24T5493	1.0	11.66
3	Bracket - Time Switch	22T338GR	0.8	8.08
4	Time Switch Mechanism #1	T104M201	1.8	152.80
5	Tripper - Time Switch (1) ON (1) OFF per pack	156T1978A	0.3	2.80
6	Complete Thermostat Assembly - Pre Wired	PA102	2.5	79.52
7	Plate - Dead Front	24T5473	2.0	28.78
6a	Relay	143T135	0.5	39.72
6b	Plate - Thermostat Housing	24T5189	1.0	18.76
6c	Thermostat	178T24	1.0	43.33
8	Time Switch Mechanism #2	T104M	1.5	113.37
9	Breaker Base	124T2375	0.5	28.55
10	Bracket - Breaker	22T675	0.3	6.76
11	Terminal Bar - Neutral	130T1181	0.5	13.60
12	Terminal Bar - Grounding	PA116	0.5	15.04
13	Bracket - Terminal Mounting	22T676	0.3	5.86
14	Case - Enclosure	2PF3380A-WWH	6.5	66.28
15	Latch - Enclosure	PA117	0.3	12.72
16	Bracket - Enclosure	PA101	1.0	18.05

\* Prices are subject to change without notice