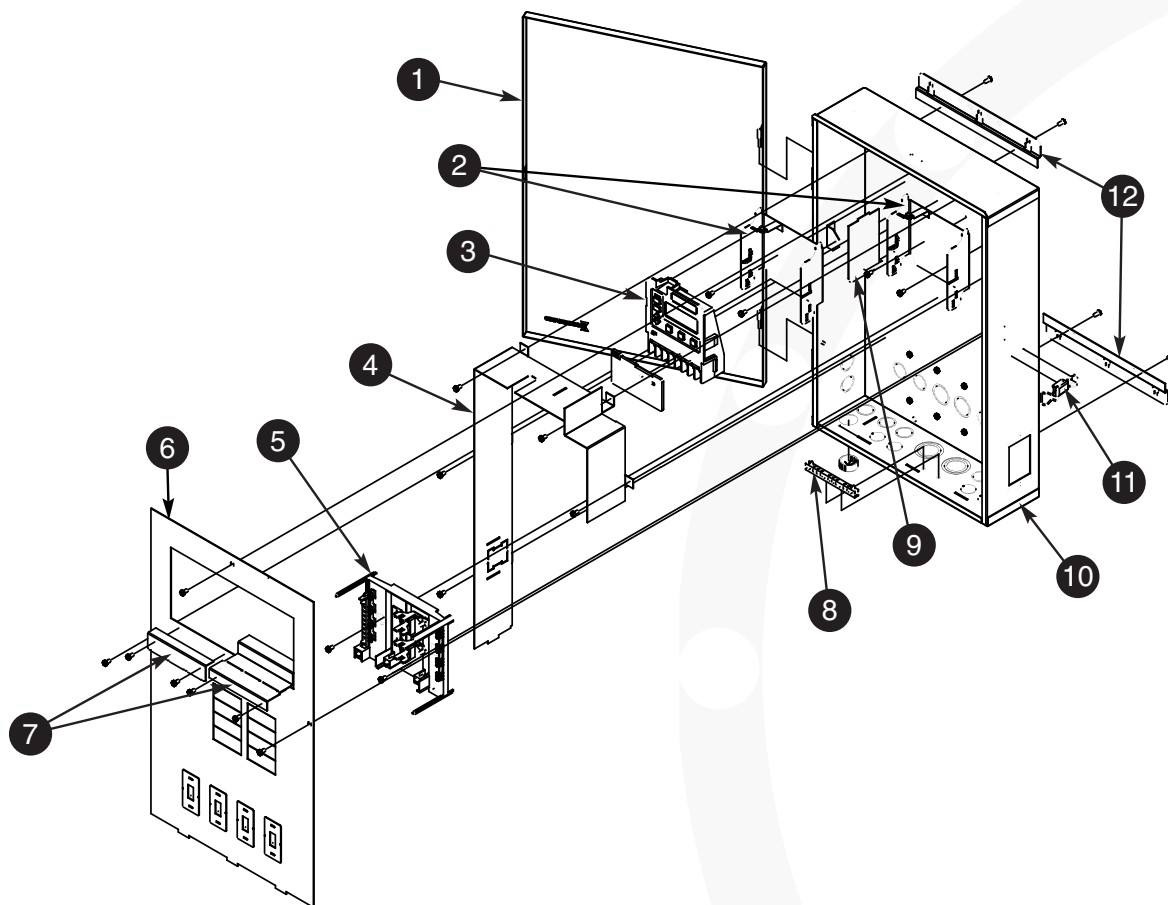


Genuine Pool & Spa Replacement Parts

INTERMATIC® REPLACEMENT PARTS - POOL/SPA CONTROLS

PE45300 Electronic Control Panel



Item No.	Description	Part No.	SHIPPING WT. (LB)	LIST PRICE (\$)*
1	Cover - Enclosure	6PE2816A-WWH	6.0	61.72
2	Bracket - Timer	22T338GR	0.8	8.08
3	3 Circuit Timer Mechanism	P1353ME	1.5	302.47
4	Plate Barrier	24PE6032-WWH	2.0	28.48
5	Breaker Base	124T2530A	1.5	32.74
6	Plate - Dead Front	24PE6031-WWH	4.5	42.88
7	Plate - Filler	24PE6035-WWH	0.8	27.64
8	Terminal Bar - Grounding	PA116	0.5	15.04
9	Plate - Barrier, Vertical	24PE6056-WWH	0.5	20.62
10	Case - Enclosure	2PE3385A-WWH	12.0	92.44
11	Latch - Enclosure	PA117	0.3	12.72
12	Bracket - Enclosure	PA101	1.0	18.05

* Prices are subject to change without notice