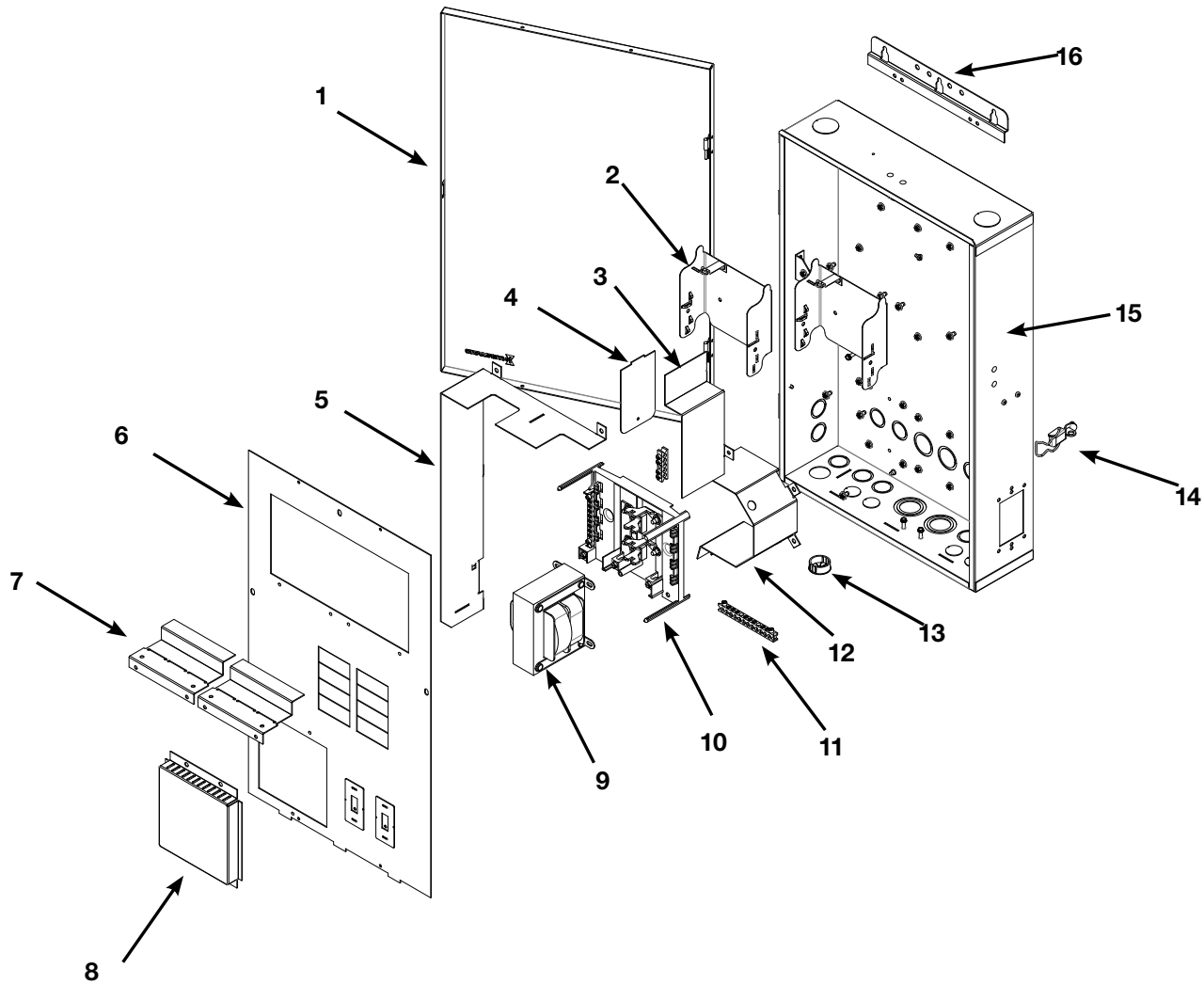


PE3000T3 Series Control Systems



Item No.	Description	Part No.	Shipping Weight (lb.)	*List Price (\$)
1	Cvr-Pntd, 14X22	6PE2816A-WWH	4.5	71.84
2	Brkt Assy-Mtg, Timer	22T338GR	0.8	10.61
3	Plt-Pntd, Dvdr, Tmr	24PE6279-WWH	1.0	8.40
4	Plt-Flat, Tmr, Filler	24PE6056-WWH	0.4	4.05
5	Plt-Pntd, Divider	24PE6289-WWH	2.1	22.95
6	Plt-Pntd, Deadfront	24--00176-WWH	2.1	55.80
7	Plt-Pntd, Filler	24PE6035-WWH	0.5	8.60
8	Plt-Pntd, Cvr Vent Xfmr	24--00178-WWH	1.4	15.61
9	Trans-120V/60HZ, 300VA	119T340	9.0	97.86
10	Insltr-Bus Bar	124T2530A	1.5	38.26
11	Insltr-Bus Bar	124T2530A	1.5	38.26
12	Plt-Pntd, Cvr Xfmr	24--00175-WWH	2.5	16.62
13	Insltr Grommet	124PA2545	0.1	3.56
14	Latch-Enclosure	8--00008A	0.3	8.05
15	Case Assy-Pntd, 14X22	2--00067A-WWH	4.1	77.48
16	Mntg. Bracket - Enclosure	22T713	1.0	4.10

* Prices are subject to change without notice