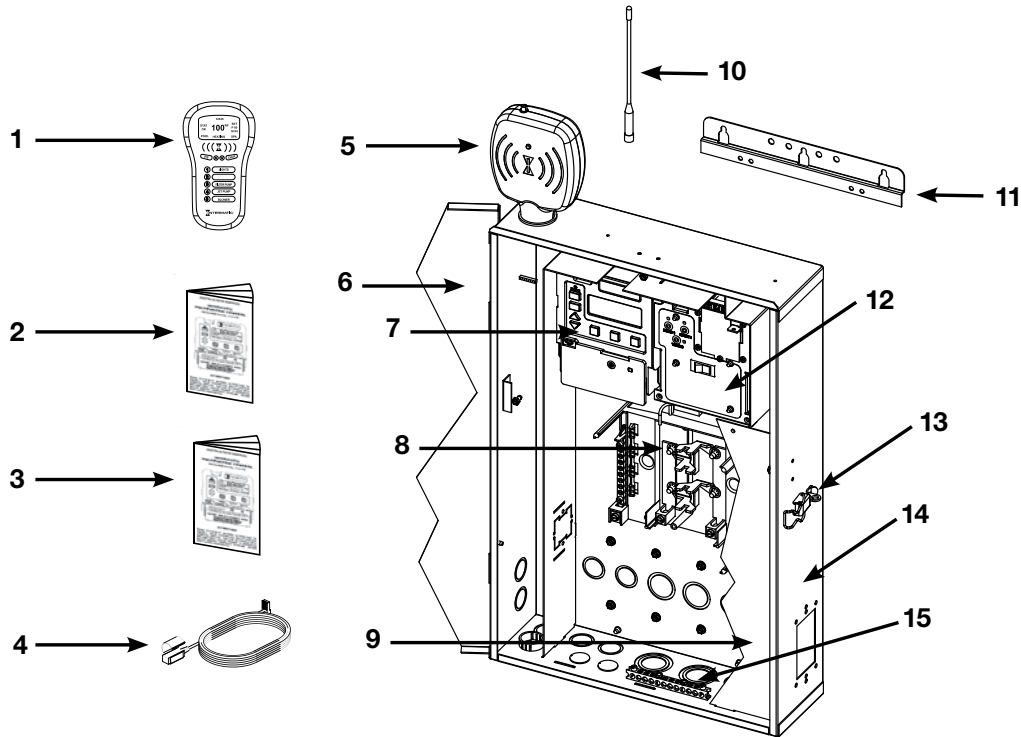


PE30000 Electronic Pool, Spa, and Pool-to-Spa Controls

| Model No. | Item No. 1 | Item No. 3 | Item No. 4 | Item No. 5 | Item No. 7 | Item No. 10 | Item No. 12 |
|-----------|------------|------------|------------|------------|------------|-------------|-------------|
| PE30000 | No | No | No | No | No | No | No |
| PE35300 | No | No | No | No | Yes | No | No |
| PE35300RC | Yes | Yes | Yes | Yes | Yes | Yes | No |
| PE35343RC | Yes | Yes | Yes | Yes | Yes | Yes | Yes |



| Item No. | Description | Part No. | Shipping Weight (lb.) | *List Price (\$) |
|----------|-------------------------------|--------------|-----------------------|------------------|
| 1 | Hand Held Transmitter | PE953 | 1.5 | 313.24 |
| 2 | Instruction Booklet P1353ME | 158PE12523 | 0.3 | 9.25 |
| 3 | Instruction Booklet PE650/950 | 158--00700 | 0.3 | 9.25 |
| 4 | Water Probe | PA122 | 1.2 | 69.80 |
| 5 | Receiver (Antenna included) | PE650 | 1.5 | 286.00 |
| 6 | Cover - Enclosure | 6PE2816A-WWH | 4.5 | 71.84 |
| 7 | 3-Circuit Timer Mechanism | P1353ME | 1.5 | 350.15 |
| 8 | Breaker Base | 124T2530A | 1.5 | 41.79 |
| 9 | Plate - Dead Front | 24PE6031-WWH | 2.5 | 65.60 |
| 10 | Antenna for PE650 | 214PE36 | 0.5 | 32.40 |
| 11 | Bracket - Enclosure, each | 22T713 | 1.5 | 4.10 |
| 12 | Valve Actuator Control Mech. | P4243ME | 2.5 | 384.05 |
| 12A | PC Board Assembly (not shown) | 188--00021A | 1.0 | 209.19 |
| 12B | Transformer (not shown) | 119--00065A | 2.2 | 60.75 |
| 13 | Latch - Case | 8--00008A | 0.3 | 8.05 |
| 14 | Case - Enclosure | 2PE3475A-WWH | 6.5 | 141.75 |
| 15 | Terminal Bar - Grounding | 130T1042 | 0.5 | 7.37 |

* Prices are subject to change without notice