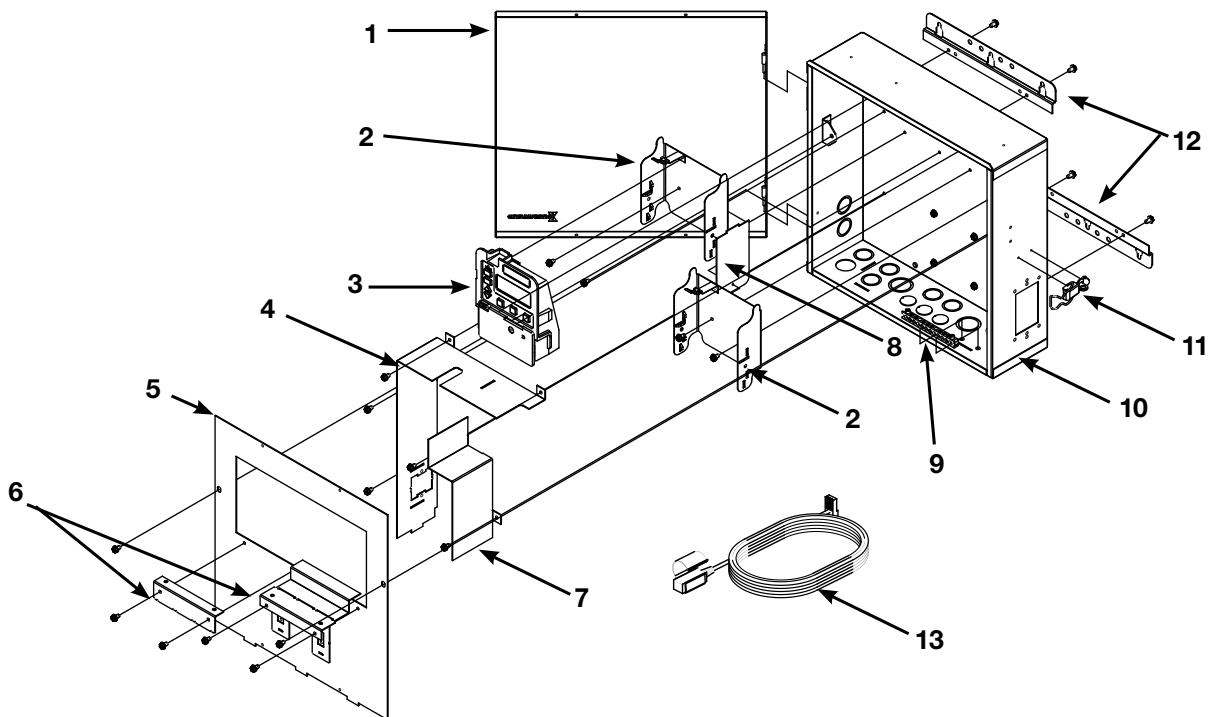


PE15300 Series Electronic Control Centers

Model No.	Item No. 3	Item No. 13
PE10000	None	None
PE15300	P1353ME	None
PE15300F	P1353ME	178PA28A



Item No.	Description	Part No.	Shipping Weight (lb.)	*List Price (\$)
1	Cover	6PE2817A-WWH	3.5	51.80
2	Bracket - Timer	22T720A	0.8	10.61
3	3 Circuit Timer Mechanism	P1353ME	1.5	350.15
4	Plate - Barrier	24PE6280-WWH	1.5	25.40
5	Plate - Dead Front	24PE6037-WWH	3.5	35.60
6	Plate - Filler	24PE6035-WWH	0.8	7.10
7	Plate - Divider	24PE6279-WWH	0.8	8.40
8	Plate - Barrier, Vertical	24PE6056-WWH	0.5	4.10
9	Terminal Bar - Grounding	130T1042	0.5	7.37
10	Case - Enclosure	2PE3467A-WWH	4.0	109.70
11	Latch - Enclosure	8--00008A	0.3	8.05
12	Bracket - Enclosure Each	22T713	1.0	4.10
13	Thermostat - Freeze Protection	See Table Above	1.5	87.74
14	Instruction Booklet P1353ME	158PE12523	0.3	9.25

* Prices are subject to change without notice