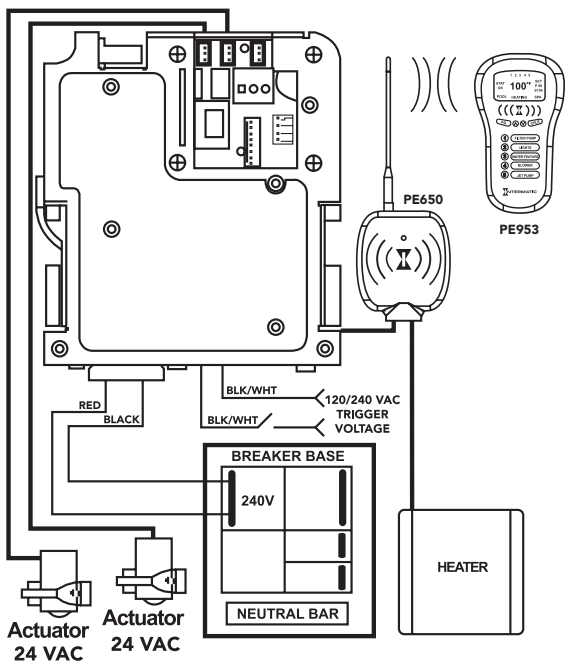


Actuator Controller & Valve/Pump Switch Applications

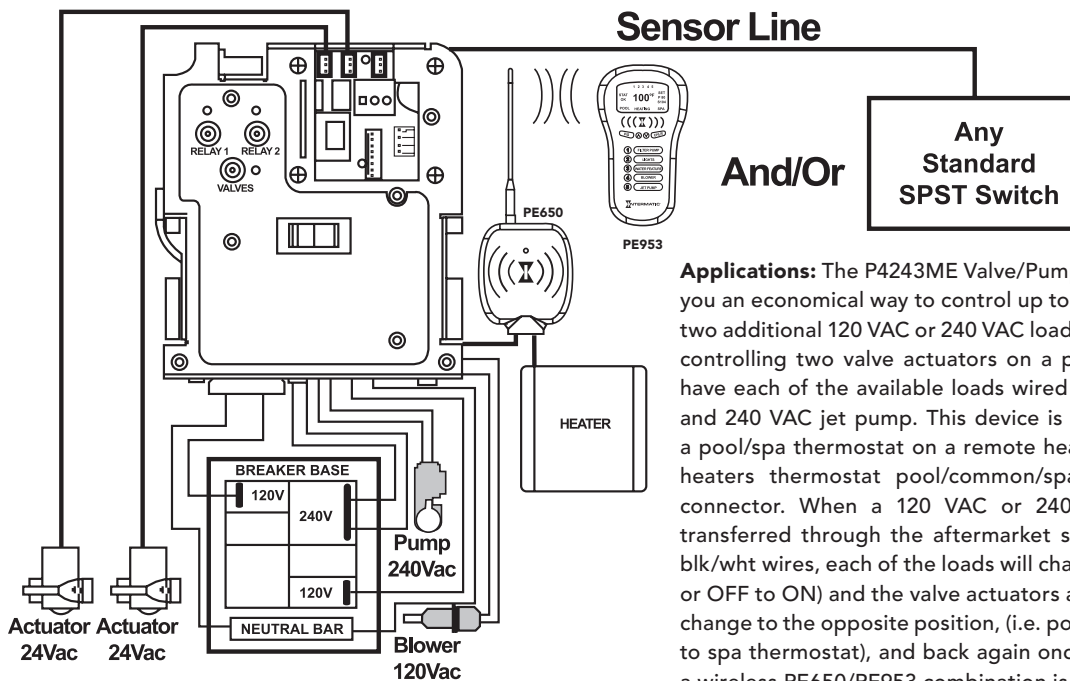
P4043ME Application



Applications: The P4043ME Actuator Control Mechanism gives you an economical way to control up to three valve actuators with either a simple aftermarket switch, a sophisticated PE650/PE953 wireless control or both. In the example, we illustrate controlling two valve actuators most commonly found in a fountain control, solar control or pool/spa control system. This device is also capable of switching a pool/spa thermostat on a remote heater by wiring the remote heaters thermostat pool/common/spa wires to the onboard connector. When a 120 VAC or 240 VAC trigger voltage is transferred through the aftermarket switch to the mechanism's blk/wht wires, the valve actuators and heater thermostat will change to the opposite position, (i.e. pool to spa, pool thermostat to spa thermostat), and back again once the switch is opened. If a wireless PE650/PE953 combination is added to the mechanism, a wireless full thermostat control system along with actuator control would now be available.

P4243ME Application

Sensor Line



Applications: The P4243ME Valve/Pump Switch Mechanism gives you an economical way to control up to three valve actuators and two additional 120 VAC or 240 VAC loads. The example, illustrates controlling two valve actuators on a pool/spa combination and have each of the available loads wired to a 240 VAC spa blower and 240 VAC jet pump. This device is also capable of switching a pool/spa thermostat on a remote heater by wiring the remote heaters thermostat pool/common/spa wires to the onboard connector. When a 120 VAC or 240 VAC trigger voltage is transferred through the aftermarket switch to the mechanisms blk/wht wires, each of the loads will change state, (i.e. ON to OFF or OFF to ON) and the valve actuators and heater thermostat will change to the opposite position, (i.e. pool to spa, pool thermostat to spa thermostat), and back again once the switch is opened. If a wireless PE650/PE953 combination is added to the mechanism, a wireless full thermostat control system along with actuator control and individual load control would now be available.