

# TIMER

DH48S-S	TWIN TIMER	DH48S-S
---------	------------	---------

- DIN-sized 48×48mm
- Time ranges (1s~99min).
- T1, T2 can replace 2 relays.
- Adding M48, DIN-sized 58×88mm expandable.
- High accuracy, small volume, high reliability.
- Working modes: loop around, one time.

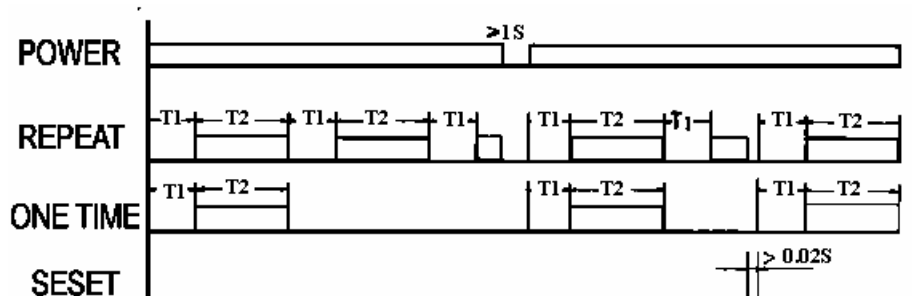
## ■ CHARACTERISTICS

● Time ranges:

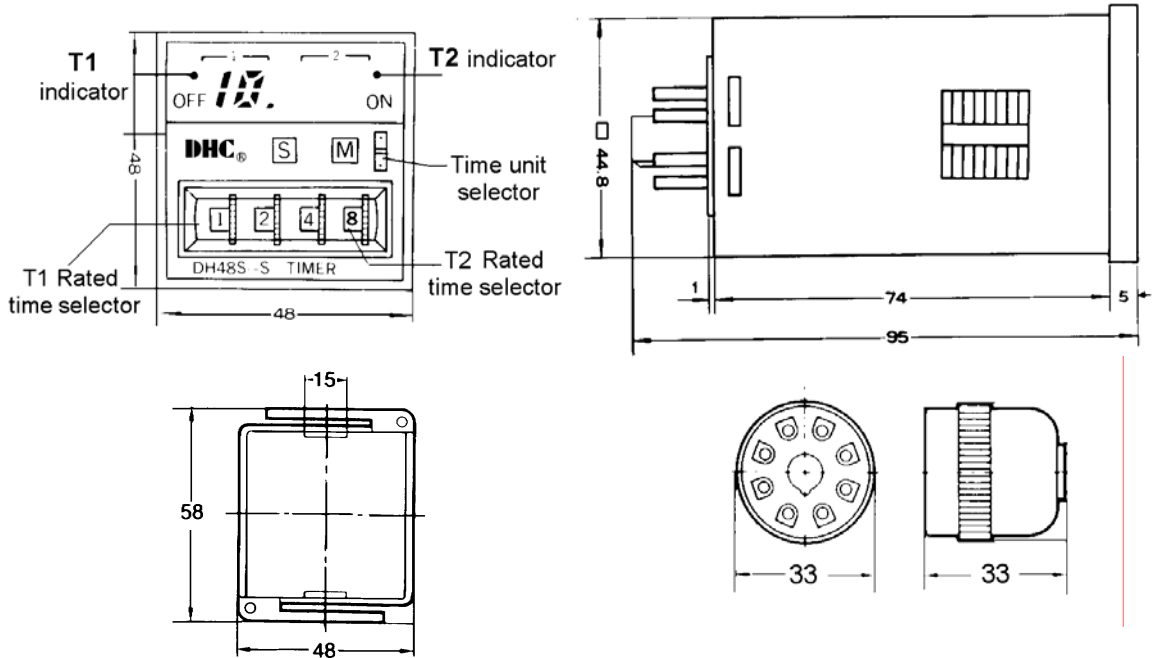
Select switch:	S/S	S/M	M/S	M/M
T1 time ranges:	1s~99s	1s~99s	1m~99m	1m~99m
T2 time ranges:	1s~99s	1m~99m	1s~99s	1m~99m

- |   |  |
|---|--|
| ● Supply voltage: AC220V (50/60Hz)              | ● Control output: AC 250V 3A (Resistive) |
| ● Operating voltage range: Ue85%~110%           | ● Contact: 1c                            |
| ● Setting error: 0.01%+0.05s                    | ● Panel cutout: 45×45 mm                 |
| ● Ambient temperature: Operating: -10°C to 55°C | ● Weight: 0.3kg                          |
| ● Power consumption: ≤3VA                       |  |

## ■ OPERATION MODE



## DIMENSIONS



## CONNECTIONS

