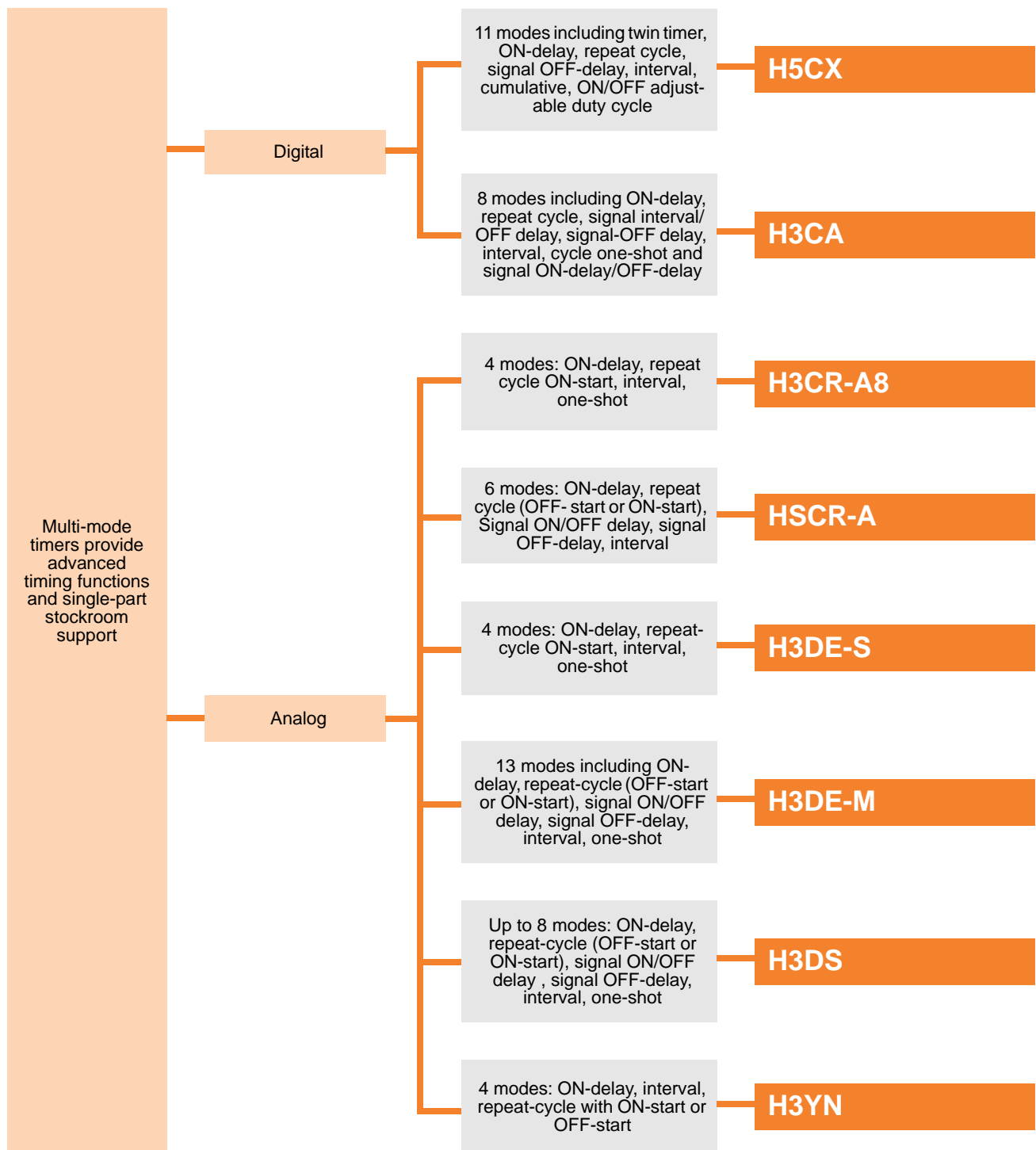


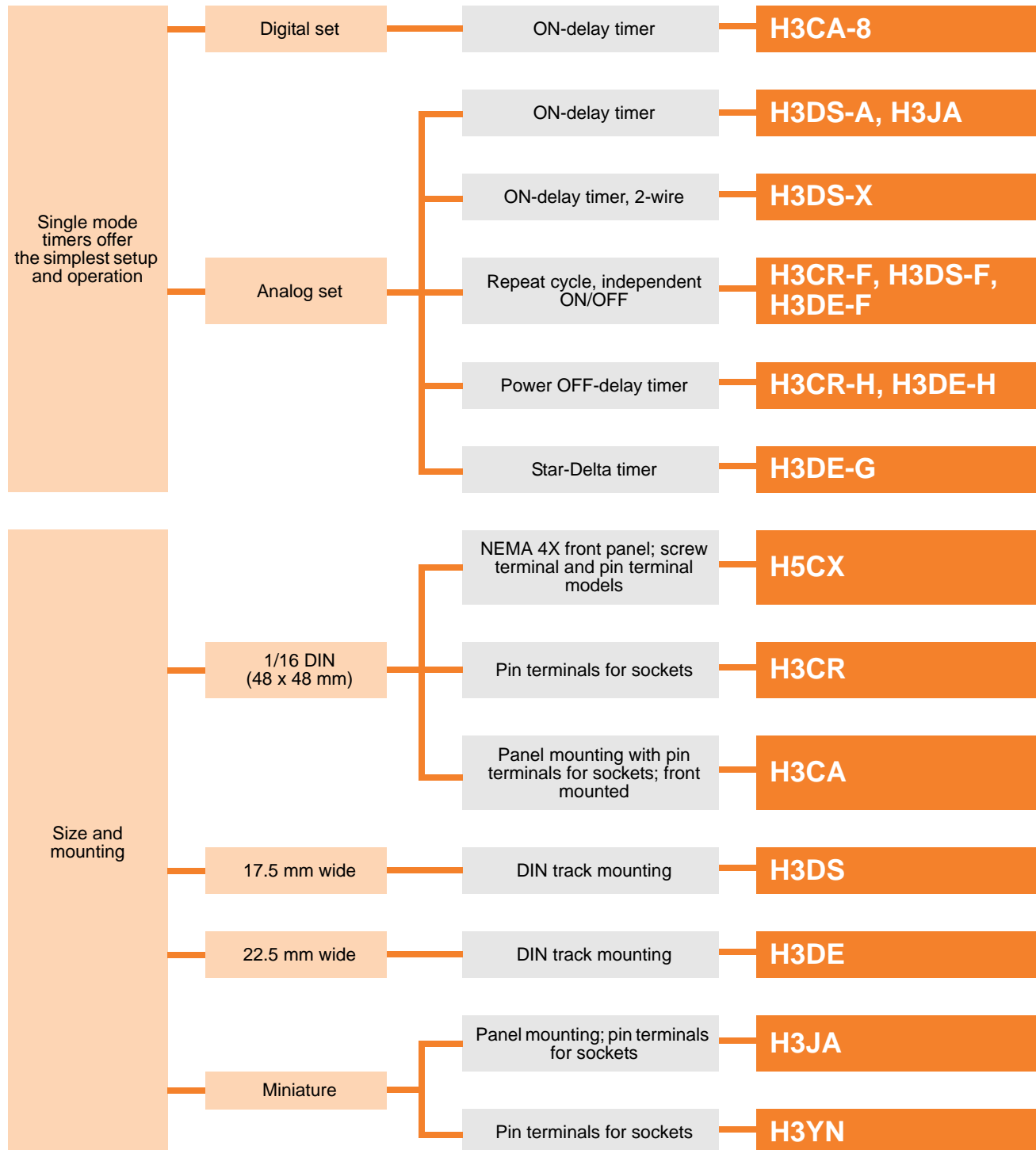
## Contents

<b>Selection Guide</b>	S-ii
<b>Digital Timers</b>	
<b>H5CX</b>	Digital multi-function timers, 1/16 DIN S-1
<b>H3CA</b>	Digital-set timer with LCD bar graph display, 1/16 DIN S-4
<b>Analog Timers</b>	
<b>H3CR</b>	Analog-set multi-function timers, 1/16 DIN S-5
<b>H3YN</b>	Compact, socket mount, analog-set relay timers with multiple operating modes S-8
<b>H3DE</b>	Slim 22.5 mm track-mount analog-set timers S-8
<b>H3DS</b>	Slim 17.5 mm track-mount analog-set timers S-9
<b>H3JA</b>	Economical, compact, plug-in timer, 36 x 36 mm S-9
<b>Time Switches</b>	
<b>H5S</b>	Digital weekly and yearly timers, 72 x 72 mm, up to 4 circuits S-10
<b>H5L</b>	Digital weekly time switch with large display S-13
<b>H5F</b>	Digital daily time control with simple operations S-13

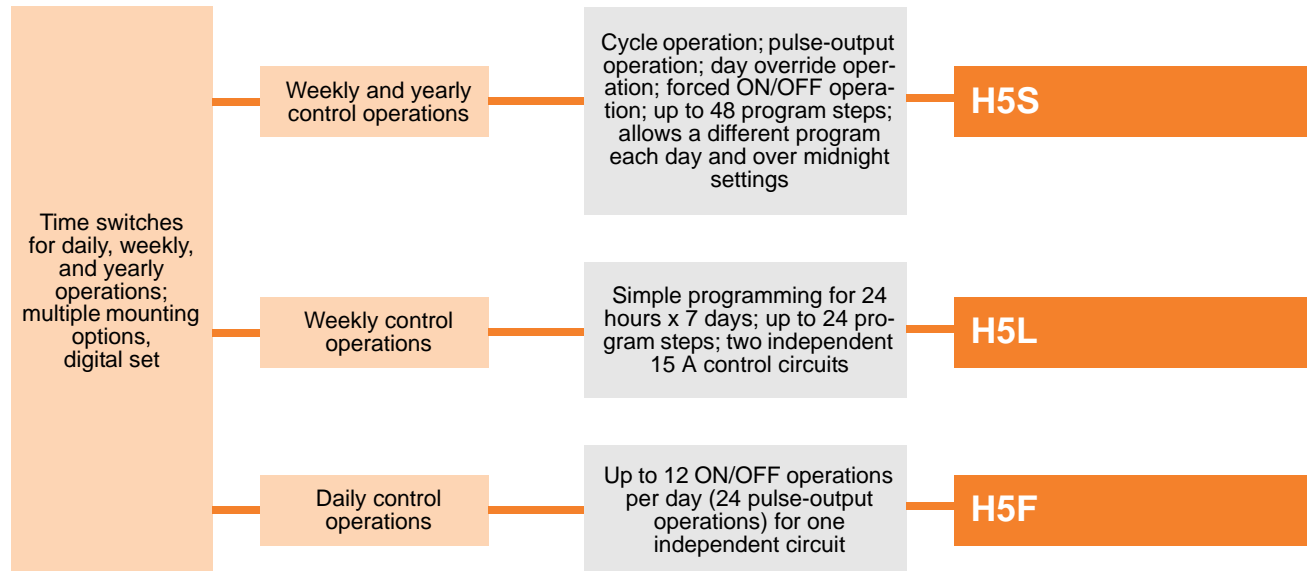
## Selection Guide



## Selection Guide



## Selection Guide



# Multi-Mode Digital Timers H5CX



## 1/16 DIN with Advanced Functionality and Twin Timer




- 11 modes including ON-delay, Repeat cycle, Signal OFF-delay, Interval, Cumulative, ON/OFF adjustable duty cycle
- Twin Timer mode satisfies a wide range of cyclic control applications
- Display elapsed time or remaining time
- Settable display color alerts operator of output status changes by changing from green to red
- Set parameters via front panel keys or DIP switches
- PNP/NPN selectable input
- Protect settings with 5 levels of key access
- NEMA 4/IP66 front panel
- Short mounting depth models save panel space






## Specifications

- Supply voltage: 100 to 240 VAC, 50/60 Hz, or AC/DC24
- Timing functions: Signal ON delay, Power ON delay, Repeat cycle (OFF or ON start, sustained or one-shot output), Signal OFF delay, Interval, Cumulative, ON/OFF duty cycle, Twin timer (ON or OFF start)
- Timing ranges: 9 time ranges, from 0.001 s to 9999 h
- Repeat accuracy:  $\pm 0.01\% \pm 50$  ms max.
- Control output: SPDT relay, 5 A at 250 VAC
  - NEMA B300 Pilot Duty
  - 1/4 HP 5 A resistive load at 120 VAC
  - 1/3 HP 5 A resistive load at 240 VAC

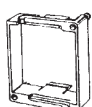


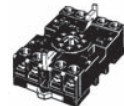
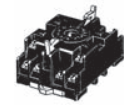

## 1/16 DIN Multi-Mode Digital Timers

Appearance/Dimensions H x W x D mm	Supply voltage	Output type	Output rating	Inputs	Input rating	Connection type	Model
 48 x 48 x 98.7 with P3GA-11 socket	100 to 240 VAC, 50/60 Hz	Relay	SPDT, 5 A at 250 VAC	Start, Reset, Gate	No-voltage/voltage, selectable	11-pin socket	H5CX-A11 AC100/240
 48 x 48 x 100						Screw terminals	H5CX-A AC100/240
 48 x 48 x 64	24 VAC/ 12 to 24 VDC					H5CX-AD AC24/DC12-24	

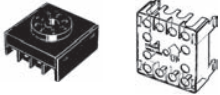
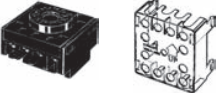





1/16 DIN Multi-Mode Digital Timers (Continued)

Appearance/ Dimensions H x W x D mm	Supply voltage	Output type	Output rating	Inputs	Input rating	Connection type	Model
 48 x 48 x 64	24 VAC/ 12 to 24 VDC	Transistor	NPN open collector, 100 mA at 30 VDC	Start, Reset, Gate	No-voltage/ voltage, selectable	Screw terminals	H5CX-ASD AC24/DC12-24
 48 x 48 x 84.8	100 to 240 VAC, 50/60 Hz	Relay	SPDT, 5 A at 250 VAC	Start, Reset	No voltage	8-pin socket	H5CX-L8 AC100/240
 48 x 48 x 84.8	24 VAC/ 12 to 24 VDC	Relay	SPDT, 5 A at 250 VAC	Start, Reset	No voltage	8-pin socket	H5CX-L8D AC24/DC12-24

Accessories

Description	Appearance	Dimensions H x W x D mm	Specification	Model
Panel mounting adapter		58 x 48	Fits behind panel, ideal for side-by-side installation. Use P3G□-□ sockets. Order separately for H5CX-A11 and H5CX-L8 models.	Y92F-30
Waterproof packing		—	Order separately for H5CX-A11 and H5CX-L8 models.	Y92S-29
Track mounting/front connecting socket		74 x 50 x 20.3	8-pin socket	P2CF-08
		74 x 50 x 21.5	8 pin, finger-safe socket	P2CF-08-E
		74 x 50 x 31.2	11-pin socket	P2CF-11
			11-pin, finger-safe socket	P2CF-11-E

**Accessories (Continued)**

Description	Appearance	Dimensions H x W x D mm	Specification	Model
Back-connecting socket for panel mounting		45 x 45 x 21.9	8-pin socket	<b>P3G-08</b>
		48 x 48 x 32.4 installed	8-pin socket with finger-safe terminal cover	<b>P3G-08 with Y92A-48G</b>
		45 x 45 x 27	11-pin socket	<b>P3GA-11</b>
		48 x 48 x 37.5 installed	11-pin socket with finger-safe terminal cover	<b>P3GA-11 with Y92A-48G</b>
Hard cover		50.5 x 50.5 x 16	Protects front panel from dirt and water	<b>Y92A-48</b>
Soft cover		50.5 x 50.5	Protects front panel against oil penetration from operators' hands, to IP54P	<b>Y92A-48F1</b>
Mounting track		500 L x 35 H x 7.3 D	0.5 m length	<b>FFP-50N</b>
		1000 L x 35 H x 7.3 D	1 m length	<b>FFP-100N</b>
		1000 L x 35 H x 16.0 D	1 m length	<b>FFP-100N2</b>
End plate		50 x 10 x 10	Holds track-mounted devices in place	<b>FFP-M</b>

# Solid-State Digital Timer H3CA



## 1/16 DIN, Digital-Set Timer with LCD Bar Graph Display


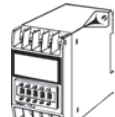
- 8 field selectable operation modes or ON-delay only model
- Time remaining LCD bar graph and LCD output indicator
- Easy to install, fits 8- or 11-pin sockets
- Universal AC/DC supply voltage timer available
- Selectable no-voltage start, reset, gate and check inputs expand capabilities
- Time limit or Instantaneous output, select SPDT or DPDT models (3 A @ 250 VAC)
- Panel mounting adapters, sockets and accessories available
- UL, CSA, SEV approved



## Specifications


- Supply voltage: 100/110/120 VAC, 50/60 Hz, 200/220/240 VAC, AC24V, DC110V, DC12V or DC24V, Universal voltage model: 24 to 240 VAC, 50/60 Hz; 12 to 240 VDC
- Timing functions: Multi-mode: ON-delay, Repeat cycle, Signal Interval/OFF-delay, Signal-OFF delay (I & II), Interval, Cycle and Signal ON-delay/OFF-delay, ON-delay only
- Timing ranges: 7 ranges: 0.1 seconds to 9990 hours
- Repeat accuracy: ±0.3% of range, ±0.05 second
- Control output: 10 mA to 3 A at 250 VAC

## Solid-State Timers with 8 Selectable Functions

Dimensions H x W x D mm	Supply voltage	Output type	Output rating	Inputs	Input rating	Connection type	Model
 48 x 48 x 89	24 to 240 VAC, 50/60 Hz; 12 to 240 VDC	Relay	SPDT, 3 A at 250 VAC	Start, Reset, Gate	No-voltage	11-pin socket	H3CA-A
 75 x 45 x 101						Front mounted screw terminals	H3CA-FA

## Solid-State Timers - ON-Delay Only

Add the supply voltage to the part number when ordering ON-delay only timers. For example, H3CA-8H-AC/100/110/120.

Dimensions H x W x D mm	Supply voltage	Output type	Output rating	Inputs	Input rating	Connection type	Model
 48 x 48 x 89	Specify 24 VAC, 100/110/120 VAC, or 200/220/240 VAC; 50/60 Hz	Relay (time limit or instantaneous)	SPDT, 3 A at 250 VAC	Start, Reset, Gate	No-voltage	8-pin socket	H3CA-8H
	Specify 12, 24, 48 or 110 VDC	Relay					H3CA-8

**Note:** Refer to datasheet for available sockets and accessories.



# Multi-Mode Timers H3CR



## 1/16 DIN Analog-Set Timer

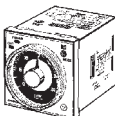
- Use for delay timing, repeatable cycles or duration (interval) timing
- Select 4- or 6-function models to handle most applications
- Repeat cycle models with independent ON and OFF periods available
- Power-OFF delay models available
- 5-amp DPDT relay switches when timing cycle completes
- Short, 80 mm (3.15 inch) panel mounting depth with socket allows space-efficient control panel design
- Field-selectable time ranges from front panel
- Wide range AC/DC supply voltage models
- No-voltage/NPN voltage input models stocked; PNP input models available
- Match panel aesthetics with light gray, medium gray or black optional panel covers
- UL, CSA, CE approved



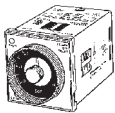
## Specifications

- Supply voltage: Multi-function: AC100-240/DC100-125 or AC 24-48/DC 12-24
  - Power-OFF delay: AC 100-120, AC 200-240 or AC/DC 24
  - Repeat cycle: AC 100-240, DC 48-125, DC 12, or AC/DC 24
- Timing functions:
  - 4-function: ON-delay, Repeat cycle ON-start, Interval, One-shot
  - 6-function: ON-delay, Repeat cycle (OFF-start or ON-start), Signal ON/OFF delay, Signal OFF-delay, Interval
  - Power-OFF delay: Instantaneous and time-limit operation
  - Repeat cycle: Independent ON and OFF periods
- Timing ranges:
  - 0.05 second to 300 hours; 0.1 second to 600 hours
  - Power-OFF delay: 0.05 to 12 seconds or minutes
  - Repeat cycle: 0.05 seconds to 30 hours; 1.2 seconds to 300 hours
- Repeat accuracy: Multi-function:  $\pm 0.2\%$  full scale max.
  - Power-OFF delay:  $\pm 0.3\%$  full scale max.
  - Repeat cycle:  $\pm 0.3\%$  full scale max.
- Control output: DPDT relay, 10 mA to 5 A at 240 VAC/30VDC


## Multi-Function Timers

Appearance/Dimensions H x W x D mm	Supply voltage	Output type	Output rating	Inputs	Input rating	Connection type	Model
 48 x 48 x 66.6	100 to 240 VAC, 50/60 Hz/ 100-125 VDC	DPDT Relay	5 A at 240 VAC/30 VDC	Start, Reset, Gate	No-voltage, NPN type	11-pin socket	H3CR-A AC100-240/DC100-125
	24-48 VAC, 50/60 Hz/ 12-48 VDC						H3CR-A AC24-48/DC12-48
	100 to 240 VAC, 50/60 Hz/ 100-125 VDC					8-pin socket	H3CR-A8 AC100-240/DC100-125
	24-48VAC, 50/60Hz/ 12-48 VDC						H3CR-A8 AC24-48/DC12-48
	100 to 240 VAC, 50/60 Hz/ 100-125 VDC	SPDT Relay	5 A at 250 VAC	—	—	H3CR-A8E AC100-240/DC12-48	

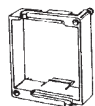

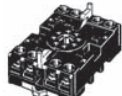


## Repeat Cycle Timers with Independent Settings

Appearance/ Dimensions H x W x D mm	Supply voltage	Output type	Output rating	Operation	Timing range	Connection type	Model
 48 x 48 x 66.6	100 to 240 VAC, 50/60	DPDT Relay	5 A at 250 VAC	OFF-start	1.2 seconds to 300 hours	8-pin round socket	H3CR-F8-300 AC100240
	24 VAC/VDC				0.05 seconds to 30 hours		H3CR-F8 AC100240
				100 to 240 VAC, 50/60	ON-start		1.2 seconds to 300 hours
	0.05 seconds to 30 hours						H3CR-F8N-300 AC100240
	11-pin round socket			OFF-start	1.2 seconds to 300 hours	H3CR-F8N AC100240	
					0.05 seconds to 30 hours	H3CR-F AC100240	

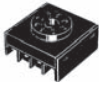
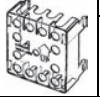

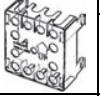




## Power-OFF Delay Timers

Appearance/ Dimensions H x W x D mm	Supply voltage	Output type	Output rating	Inputs	Timing range	Connection type	Model
 48 x 48 x 78	100-120 VAC, 50/60 Hz	DPDT Relay	5 A at 250 VAC	—	0.05 to 12 minutes	8-pin round socket	H3CR-H8L AC100120 M
							H3CR-H8L AC100120 S

## Accessories

Description	Appearance	Dimensions H x W x D mm	Specification	Model
Panel mounting adapter		58 L x 48 H x 15.5 D	Fits behind panel, ideal for side-by-side installation. Use P3G□-□ sockets.	Y92F-30
Track mounting/front connecting socket		70 L x 50 H x 20.3 D	8-pin socket	P2CF-08
		70 L x 50 H x 21.5 D	8 pin, finger-safe socket	P2CF-08-E
		70 L x 50 H x 31.2 D	11-pin socket	P2CF-11
			11-pin, finger-safe socket	P2CF-11-E

**Accessories (Continued)**

Description	Appearance	Dimensions H x W x D mm	Specification	Model
Back connecting socket for panel mounting	 	45 L x 45 H x 17 D	8-pin socket	<b>P3G-08</b>
		47.7 L x 47.7 H x 27.6 D	8-pin socket with finger-safe terminal cover	<b>P3G-08 with Y92A-48G</b>
	 	45 L x 45 H x 27 D	11-pin socket	<b>P3GA-11</b>
		47.7 L x 47.7 H x 27.6 D	11-pin socket with finger-safe terminal cover	<b>P3GA-11 with Y92A-48G</b>
Hard cover		50.5 L x 50.5 H x 16 D	Protects front panel from dirt and water	<b>Y92A-48</b>
Mounting track		500 L x 35 H x 7.3 D	0.5 m length	<b>PPF-50N</b>
		1000 L x 35 H x 7.3 D	1 m length	<b>PPF-100N</b>
		1000 L x 35 H x 16.0 D	1 m length	<b>PPF-100N2</b>
End plate		50 L x 11.5 H x 10 D	Holds track-mounted devices in place	<b>PPF-M</b>

# Solid-State Timer H3YN



## Analog-Set Relay Timers with Multiple Operating Modes

- Space-saving and easy to operate
- Miniature timer offers 4 selectable timing modes
- Seconds/minutes timing range models in stock; minutes/hours models available
- Monitor relay status using independent Power-ON and Time-Up indicators
- Socket-mount timers simplify installation and maintenance
- Sockets, hold-down clips and mounting accessories available separately
- UL, CSA, CE approved



## Specifications

- Supply voltage: 100-120 VAC, 200-230 VAC, or 24 VAC, 50/60 Hz; 24 VDC
- Timing functions: ON-delay, Interval and Repeat cycle with OFF-start or ON-start (DIP switch selectable)
- Timing ranges: 4 ranges: 0.1 second to 10 minutes; 0.1 minute to 10 hours
- Repeat accuracy:  $\pm 1\%$  FS max.
- Control output: DPDT, 5 A at 250 VAC (H3YN-2), 4PDT, 5 A at 250 VAC (H3YN-4)

# Multi-Function Timers H3DE



## Slim 22.5 mm Track-Mount Analog Set

- Narrow width saves space in control panels
- Meets UL508 and European standards EN61812-1, IEC60664-1
- Wide AC/DC power supply range (24 to 230 VAC/DC) minimizes inventory
- H3DE-M model available with 12 VDC supply voltage
- Wide choice of operating modes: 8 -H3DE-M models/4-H3DE-S models
- Selectable time ranges from 0.1 second to 120 hours
- Control output: DPDT (time-limit or instantaneous/switchable) or SPDT time-limit
- Additional single function models available - Repeat cycle independent ON/OFF, Star-Delta, power OFF delay
- Finger protection terminal block
- UL, CSA, CE approved



## Specifications

- Supply voltage: 24 to 230 VAC, 50/60 Hz/24 to 230 VDC
- Timing functions: ON-delay (signal or power); Repeat-cycle OFF start or ON start (signal or power); Signal ON-/OFF-delay; Signal OFF-delay; Interval; Signal ON-/OFF-delay; One-shot (signal or power)
- Timing ranges: 0.1 to 1.2 s, 1 to 12 s, 0.1 to 1.2 min, 1 to 12 min, 0.1 to 1.2 h, 1 to 12 h, 10 to 120 h
- Repeat accuracy:  $\pm 1\%$  max. of full scale
- Control output: 5 A at 250 VAC/30 VDC (resistive load)

# Multi-Mode Analog Timers H3DS



## Ultra-slim 17.5 mm Timers, Track-Mount Analog Set

- Eight operating modes (H3DS-M) and four operating modes (H3DS-S) to cover a wide range of applications
- Offers wide time setting range of 0.10 s to 120 h
- Smart Dial/Selector-Locking Mechanism prevents the dials and selectors on the timer's front panel from being operated without authorization (can only be unlocked and locked with an optional pen-type Lock Key)
- Additional single function models available - Repeat cycle independent ON/OFF, ON-delay, ON-delay timer 2 wire, Star-Delta, power OFF delay
- Finger protection terminal block prevents shock, meets VDE0106/P100
- High immunity to inverter noise



## Specifications

- Supply voltage: 24 to 230 VAC/24 to 48 VDC
- Timing functions: ON-delay (Signal or Power); Repeat-cycle OFF-start (Signal or Power); Repeat-cycle ON-start (Signal or Power); Signal ON/OFF-delay; Signal OFF-delay; Interval (Signal or Power); Signal ON/OFF-delay; One-shot (Signal or Power)
- Timing ranges: 0.1 to 1.2 s, 1 to 12 s, 0.1 to 1.2 min., 1 to 12 min., 0.1 to 1.2 h, 1 to 12 h, 10 to 120 h
- Repeat accuracy:  $\pm 1\%$  max. of full scale
- Control output: 5 A at 250 VAC/30 VDC (resistive load)

# Solid-State Timer H3JA



## Economical, Compact, Plug-in Timer

- ON-delay time limit operation with automatic resetting
- DIN size (36 x 36 mm), fits standard 8-pin socket
- Wide choice of supply voltages: 100 to 120 VAC stocked; 24, 200 to 240 VAC, 12 and 24 VDC models available
- Wide choice of time ranges: 1, 3, 5, 10, 30, 60 seconds/3, 5, 10, 30, 60 minutes/3 hours
- Time-limit 5-amp DPDT contact models stocked; 7-amp SPDT models available
- Dual LED indication for power and output status
- Large transparent setting knob
- Surface, flush and DIN track mountable
- UL, CSA, CE approved



## Specifications

- Supply voltage: 100-120 VAC, 50/60 Hz
- Timing functions: ON-delay, time limit; automatic resetting
- Timing ranges: 0.1 to 1 second, 0.3 to 3 seconds, 0.5 to 5 seconds, 1 to 10 seconds, 3 to 30 seconds, 6 to 60 seconds, 0.3 to 3 minutes, 0.5 to 5 minutes, 1 to 10 minutes, 3 to 30 minutes, 6 to 60 minutes, 0.3 to 3 hours
- Repeat accuracy:  $\pm 2\%$  max.
- Control output: DPDT, 100 mA to 5 A at 125/250 VAC (resistive load)

# Weekly and Yearly Time Switches H5S



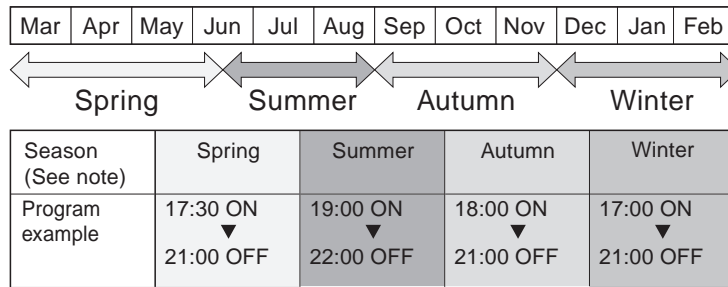
## Weekly and Yearly Timer with AM/PM Display

- Control lighting, HVAC systems and production equipment for energy saving operation
- Independent Day Keys provide easier operation
- Temporary holiday setting function makes it easy to turn OFF output for holidays and non-operating days
- Easy-to-use, prompted programming with test mode for easy program checking
- Automatic or manual operation following power failure
- Field-adjustable ON/OFF, cycle and pulse output
- Battery back-up for memory protection
- 2-circuit models include time counter and total counter functions with alarm indicator
- Compact DIN size 72 x 72 mm
- Protective cover and other accessories available separately
- UL, CSA, SEV approved



## Yearly models offer:

- Automatic switching to summertime (Daylight Savings Time) adjustment
- Integrated temperature compensation circuit helps keep accurate time over a wide operating temperature range
- Automatic Program Switching by Seasons
- Yearly operation can be set to automatically change the weekly program depending on the season



**Note:** Up to four seasons can be set for 4-circuit models, and up to two seasons for 2-circuit models.

## Ordering Information

### List of Models

Control cycle	Number of outputs	Mounting method	Supply voltage	Models
Weekly	2 circuits	Flush mounting	100 to 240 VAC	H5S-WB2
			24 VDC	H5S-WB2D
		Surface mounting/ track mounting	100 to 240 VAC	H5S-WFB2
			24 VDC	H5S-WFB2D
Yearly	2 circuits	Flush mounting	100 to 240 VAC	H5S-YB2-X
			24 VDC	H5S-YB2D-X
		Surface mounting/ track mounting	100 to 240 VAC	H5S-YFB2-X
			24 VDC	H5S-YFB2D-X
	4 circuits	Flush mounting	100 to 240 VAC	H5S-YB4-X
			24 VDC	H5S-YB4D-X
		Surface mounting/ track mounting	100 to 240 VAC	H5S-YFB4-X
			24 VDC	H5S-YFB4D-X

## Specifications

### Ratings

Item		Weekly 2-circuit Models (H5S-W□2)	Yearly 2-circuit Models (H5S-Y□2)	Yearly 4-circuit Models (H5S-Y□4)	
Rated supply voltage		100 to 240 VAC (50/60 Hz), 24 VDC (See note 1)			
Operating voltage range		AC: 85% to 110% rated supply voltage DC: 85% to 120% rated supply voltage			
Power consumption		Approx. 2.9 VA at 264 VAC 60 Hz Approx. 0.9 W at 28.8 VDC	Approx. 0.8 W at 28.8 VDC Approx. 3.5 VA at 264 VAC 60 Hz	Approx. 3.2 VA at 264 VAC 60 Hz Approx. 1.0 W at 28.8 VDC	
Control outputs	Number of circuits	SPST-NO x 2 circuits		SPST-NO x 4 circuits	
	Circuits	Power supply circuit and other (no-voltage) circuit			
	Capacity	Resistive load ( $\cos\phi = 1$ )	15 A at 250 VAC (See note 2)		3 A at 250 VAC
		Inductive load	10 A at 250 VAC ( $\cos\phi = 0.7$ )		2 A at 250 VAC ( $\cos\phi = 0.4$ )
Ambient operating temperature		-10 to 55° C (with no icing or condensation)			
Ambient operating humidity		25 to 85%			
Storage temperature		-25 to 65° C (with no icing or condensation)			
Case color		Light gray (Munsell 5Y7/1)			

**Note:** 1. Do not use inverter output as a power supply.

2. The capacity is 15 A per circuit, but derating of the total current for two circuits is required as shown below depending on the ambient temperature.

## Operation

Item		Weekly 2-circuit Models (H5S-W□2)	Yearly 2-circuit Models (H5S-Y□2)	Yearly 4-circuit Models (H5S-Y□4)
Operation method		Digital quartz		
Operation period		1 week (7 days)	1 year (with integrated calendar to 2099)	
Display		<ul style="list-style-type: none"> <li>Day, hrs (switchable between 24-hr indication and a.m./p.m. 12-hr indication), minutes, seconds (0.00 to 23:59, 0.00 to 11:59 a.m., 0.00 to 11:59 p.m.)</li> <li>Digital indication by LCD (character height: 10 mm)</li> <li>Digital display of operation schedule during operation</li> <li>Timing chart display of operation schedule during operation</li> </ul>		
Min. setting unit		1 min		
Number of steps that can be set	Weekly program (See note 1)	40 steps/circuit	48 steps/circuit (See note 2) 24 steps/circuit (See note 3)	48 steps/circuit (See note 2) 12 steps/circuit (See note 3)
	Yearly program	—	4 yearly programs/circuit	
	Number of settable yearly temporary holiday settings	—	16	

**Note:** 1. Depending the operation, the following steps can be used for weekly programs.

- Timer operation: 2 steps
- Pulse-output operation: 1 step
- Cyclic operation: 4 steps

2. When the season switching setting is not being used.
3. When the season switching setting is being used.

## Accessories

Description	Appearance	Dimensions H x W x D mm	Specification	Model
Hard cover		75 x 75 x 12.5	Hard plastic protective cover prevents accidental resetting and shields the front panel from dirt and water.	Y92A-72C
Track mounting adapter		96 x 72 x 9.5	Mounts H5S-FB timer on DIN rail track. Two screws supplied with the timer fasten the adapter to the timer.	Y92F-90
Mounting track		500 L x 35 H x 7.3 D	0.5 m length	PF-P-50N
		1000 L x 35 H x 7.3 D	1 m length	PF-P-100N
	1000 L x 35 H x 16.0 D	1 m length	PF-P-100N2	
End plate		50 x 10 x 10	Holds track-mounted devices in place	PF-P-M



## Digital Weekly Time Switch H5L

Quick Link  
T334

### 1/4 DIN Size Timer, Easy Programming and Large Display

- Programming for 24 hrs x 7 days using just five switches
- Twenty-four program steps available
- Two independent 15 A control circuits
- Manual override switch for each output
- 10-year battery backup for memory protection
- Large, easy-to-read LCD display
- Multiple-day operation
- Designed for track mounting; panel and surface mounting hardware included



### Specifications

- Supply voltage: 100 to 240 VAC
- Timing functions: Weekly timer, 24 hrs x 7 days, ON or OFF programming
- Timing ranges: 00:00 to 23:59 (hours:minutes), 1 minute cycle minimum
- Repeat accuracy:  $\pm 0.01\%$ ,  $\pm 0.05$  sec maximum
- Control output: 15 A at 250 VAC (resistive load)

## Digital Daily Time Switch H5F

Quick Link  
T333

### 1/16 DIN Size Timer with Simple Programming

- Control up to 12 ON/OFF operations per day (24 for pulse-output operation) for one independent circuit
- Special holidays can be handled easily with the holiday setting function
- Adjustments for sudden schedule changes can be made easily using output override and automatic return operation
- Operation program can be easily checked with the program check function
- Enables pulse output operation and summer time setting
- Incorporates finger-safe terminals
- Flush, surface, and DIN track mounting options



### Specifications

- Supply voltage: 100 to 240 VAC
- Timing functions: Daily timer, 24 hrs x 7 days, ON or OFF programming
- Timing ranges: 24 h x 7 days (Operation days can be specified.) 1 to 59 s, or 1 to 60 min. Pulse-output operation (Pulse width can be set in units of 1 s from 1 to 59 s and in units of 1 min from 1 to 60 min.)
- Repeat accuracy:  $\pm 0.01\%$ ,  $\pm 0.05$  sec maximum
- Control output: Contact output: SPST-NO, 15 A at 250 VAC, resistive load. 10 A at 24 VDC, resistive load. Minimum applied load: 100 mA at 5 VDC (failure level: P, reference value)

