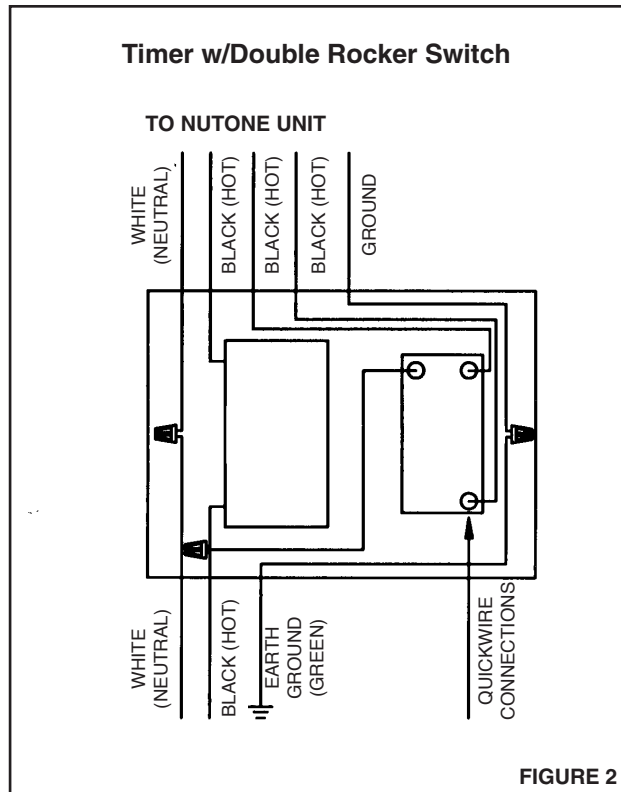
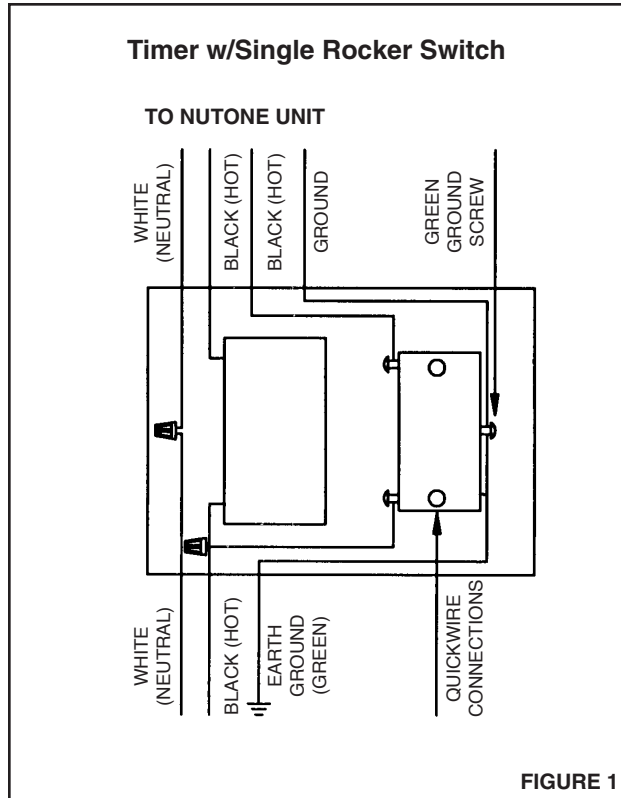


Do not supply house power until installation is complete.

All wiring must comply with local electrical codes and the switch must be properly grounded.

Timer Switches

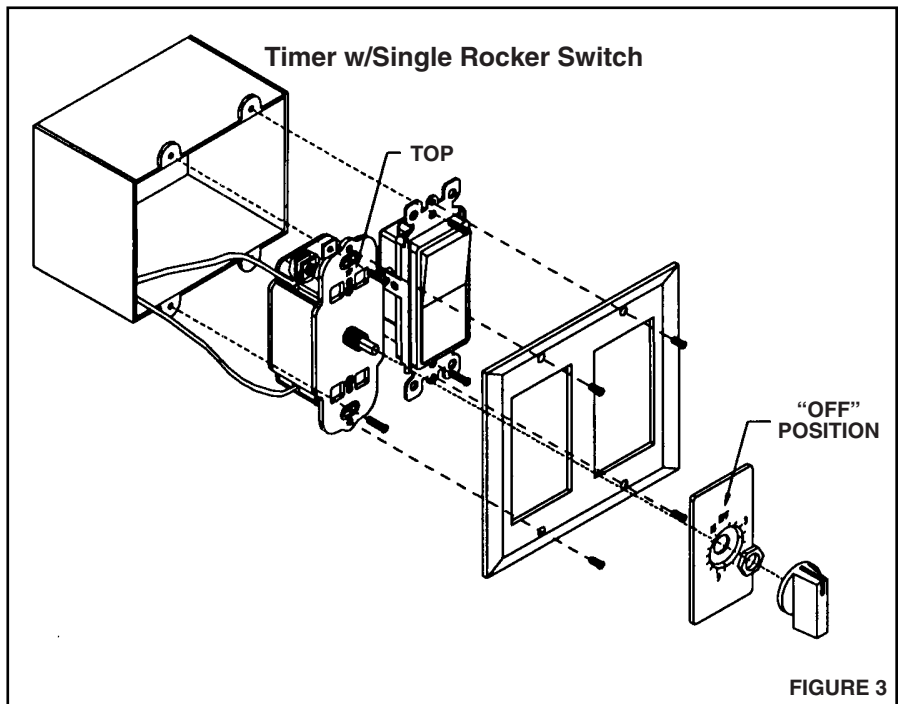
MODELS: VS-66WH, VS-67WH,
VS-68WH & VS-69WH

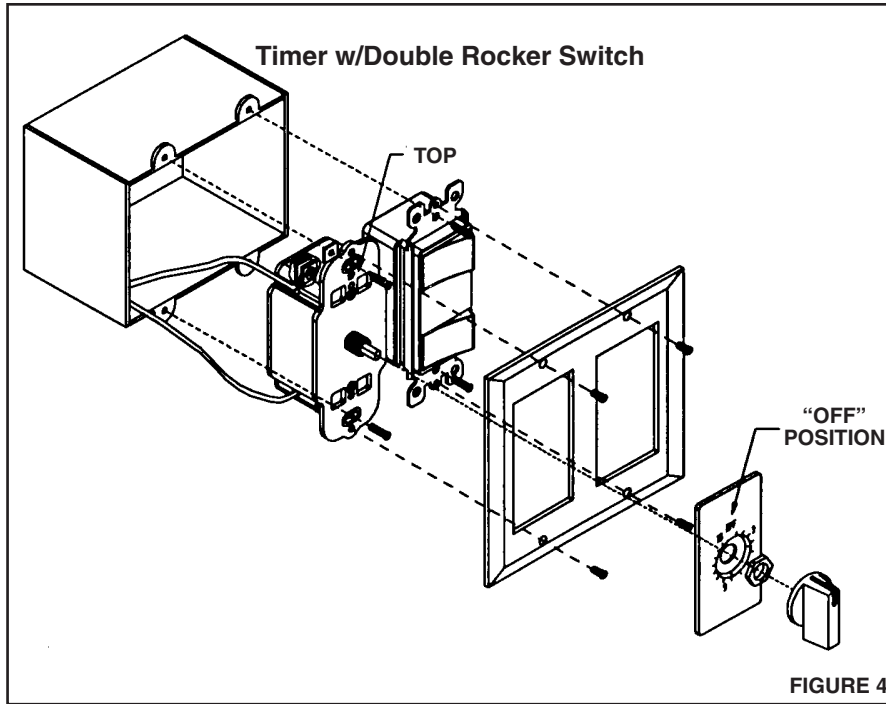


1. The timer assembly is designed to mount in a 2-1/2" deep double gang box.
2. Run house power wiring (with ground) from fuse or circuit breaker box and wiring from ventilation fan (refer to Fan motor plate for wiring instructions to motor) to timer and switch in outlet box and make connections as illustrated in Figure 1.
3. Strip wires approximately 1/2" to make connections. Connect wire to terminal screws in the timer side. **NOTE: Use LINE-1/LOAD-1 for standard operation. LINE-2/LOAD-2 will turn the current on at the end of timing period.**
4. Insert wired switch in wall box with screws provided.
5. Insert wired timer into wall box with "TOP" (indicated on front cover) in proper position. Refer to Figure 2.
6. Fasten timer to wall box using (2) screws provided.
7. Fasten wall plate to timer using (4) screws provided with the plate. The screws must be self-tapped into the timer body and will require a gentle inward pressure while firmly turning the screw.
8. Position small plastic timer dial so that "OFF" is in the up position. Install hex nut and tighten.
9. Push knob on shaft with the tail facing down.

Timer Operating Instructions:

1. Turn knob clockwise (to the right) to desired time period. Timer will automatically turn "OFF" at the end of period.
2. Regardless of time period desired, knob must be first rotated past "TURN PAST" as indicated on timer dial. It may then be turned back to a shorter period if desired.





NuTone®

One Year Limited Warranty

WARRANTY OWNER: NuTone warrants to the original consumer purchaser of its products that such products will be free from defects in materials or workmanship for a period of one (1) year from the date of original purchase. **THERE ARE NO OTHER WARRANTIES, EXPRESS OR IMPLIED, INCLUDING, BUT NOT LIMITED TO, IMPLIED WARRANTIES OF MERCHANTABILITY OR FITNESS FOR A PARTICULAR PURPOSE.**

During this one year period, NuTone will, at its option, repair or replace, without charge, any product or part which is found to be defective under normal use and service. **THIS WARRANTY DOES NOT EXTEND TO FLUORESCENT LAMP STARTERS OR TUBES, FILTERS, DUCT, ROOF CAPS, WALL CAPS AND OTHER ACCESSORIES FOR DUCTING.** This warranty does not cover (a) normal maintenance and service or (b) any products or parts which have been subject to misuse, negligence, accident, improper maintenance or repair (other than by NuTone), faulty installation or installation contrary to recommended installation instructions.

The duration of any implied warranty is limited to the one year period as specified for the express warranty. Some states do not allow limitation on how long an implied warranty lasts, so the above limitation may not apply to you.

NUTONE'S OBLIGATION TO REPAIR OR REPLACE, AT NUTONE'S OPTION, SHALL BE THE PURCHASER'S SOLE AND EXCLUSIVE REMEDY UNDER THIS WARRANTY. NUTONE SHALL NOT BE LIABLE FOR INCIDENTAL, CONSEQUENTIAL OR SPECIAL DAMAGES ARISING OUT OF OR IN CONNECTION WITH PRODUCT USE OR PERFORMANCE. Some states do not allow the exclusion or limitation of incidental or consequential damages, so the above limitation or exclusion may not apply to you. This warranty gives you specific legal rights, and you may also have other rights, which vary from state to state. This warranty supersedes all prior warranties.

WARRANTY SERVICE: To qualify for warranty service, you must (a) notify NuTone at the address stated below or telephone 1/800-543-8687, (b) give the model number and part identification and (c) describe the nature of any defect in the product or part. At the time of requesting warranty service, you must present evidence of the original purchase date.

Date of Installation

Builder or Installer

Model No. and Product Description

IF YOU NEED ASSISTANCE OR SERVICE:

For the location of your nearest NuTone Independent Authorized Service Center:

Residents of the contiguous United States Dial Free 1-800-543-8687

Please be prepared to provide:

Product model number • Date and Proof of purchase • The nature of the difficulty

Residents of Alaska or Hawaii should write to: NuTone Inc. Attn: Department of National Field Service, 4820 Red Bank Road, Cincinnati Ohio 45227-1599.

Residents of Canada should write to: Broan-NuTone Canada, 1140 Tristar Drive, Mississauga, Ontario, Canada L5T 1H9.

Rev. 03/2001

Product specifications subject to change without notice.

NuTone®

4820 Red Bank Road, Cincinnati, Ohio 45227
Printed in U.S.A., Rev. 11/02, Part No. 89775