

# Redefine pool controls

*variable and  
two-speed control*



**PE653RC**

<http://waterheatertimer.org/Intermatic-trippers-and-parts.html#air>

**INTERMATIC**<sup>®</sup>  
Providing a brighter solution.™

**MULTI  
WAVE**™

# MultiWave Wireless Control System

## Simple & Affordable

**Controls Pools / Spas and now your Home!** Combine the PE653 MultiWave Controller with the PE953 MultiWave Handheld Transceiver and prepare to automate your pool/spa and even your Home with the most technologically advanced wireless control system in the market today!

**The MultiWave is designed as a “plug and play” system!** Install the water sensor and watch the MultiWave thermostat come alive to maintain your pool and/or spa water temperatures. Install the air sensor and let the MultiWave freeze protection system take over to protect your investment. Connect your equipment to the intelligent RS485 communication port and relax as the MultiWave recognizes and controls your equipment with ease.

**No more paying for costly software upgrades!** Purchase the Intermatic MultiWave transceiver USB stick for your computer; and you can upgrade both the MultiWave handheld and controller software with ease. Go to our website, [www.poolandspacontrols.com](http://www.poolandspacontrols.com) and locate the MultiWave upgrade file. Download and wirelessly install the upgrade software to your handheld and controller with the USB stick. We are adding new manufacturers and expanding our control capabilities every day. If we don't recognize your equipment today, we will in the near future.



**CA8700**

MultiWave transceiver USB stick for software upgrades (sold separately)



**PE653RC**

**For use with Two-Speed & Variable Speed control**



### STANDARD CONTROL FEATURES:

- Internal 24-Hour Digital Clock
- Memory Back-Up
- Wireless Handheld Controller
- Backlit LCD Readout
- Waterproof Handheld
- 120VAC or 208/240 VAC Input and Control
- Two Speed Controls
- Full Variable Speed Control
- Control Five Pool/Spa Functions
- Three ON/OFF Events Per Equipment
- Programmable Heater Cool Down Feature

### OPTIONAL CONTROL ACCESSORIES:

- Optional Freeze Protection with Probe – **178PA28A**
- Optional Thermostat Control with Probe – **PA122**
- Optional Actuator Control with Actuator Mechanism – **P4043ME, P4243ME**
- Optional Actuator Mechanism with Enclosure – **PE140**

### MULTI-WAVE CONTROL RATINGS:

#### Circuit #1 – 120/240VAC

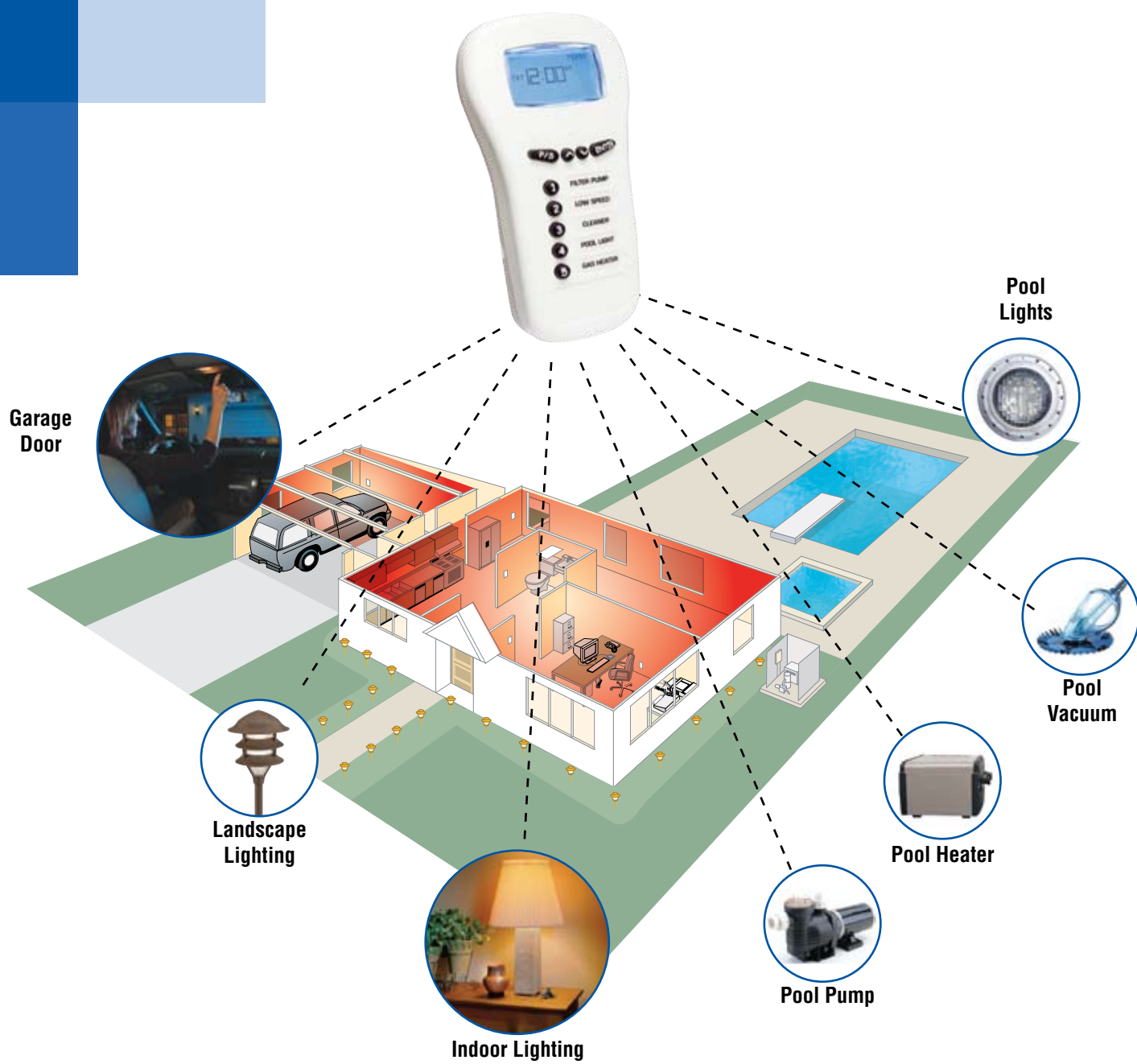
17A Resistive, 17FLA/80LRA @ 120/240VAC 50/60Hz

#### Control Supply

120/240VAC, 50/60Hz 5 Watts Maximum

#### Circuit #2 thru #5

15A Resistive, 10FLA/60LRA @ 120/240VAC 50/60Hz



## Z-Wave Technology

*The New Standard in Wireless Remote Control*

Z-Wave is a next-generation wireless ecosystem that lets all your home electronics talk to each other, and to you, via remote control. It uses simple, reliable, low-power radio waves that easily travel through walls, floors and cabinets. Z-Wave control can be added to almost any electronic device in your house, even devices that you wouldn't ordinarily think of as "intelligent," such as appliances, window shades, thermostats and home lighting.



## With Intermatic “Wireless Control” is not an option, it’s a standard! *Pool and Spa Applications*

Designed specifically for **Title 20 compliance** and for time clock enclosure upgrades. The MultiWave System offers truly versatile multi-purpose wireless control. It is capable of controlling standalone pools or spas, landscape lighting and other electrical systems. Armed with five high voltage relays, air and water sensing probes, remote antenna capabilities, wireless programming and an intelligent (RS485) communication port, the MultiWave is capable of controlling and/or communicating with virtually any **manufacturer’s pool or spa** equipment including all single speed, **two-speed and most variable speed filter** pumps available today.

### Customize Your Control for Any Manufacturer’s Equipment *MultiWave Programming Features*

With the PE953 MultiWave Handheld Transceiver you can program your five high voltage relay outputs by choosing either **single-speed or two-speed pump control**, cleaner (booster) pump control, water valve actuator control, or heater cool down with thermostat control. After programming the time of day, you can define up to three automated ON/OFF schedules per relay and per speed if controlling a **variable speed pump**. Watch the different screens come alive on your PE953 Handheld as you connect your compatible equipment to the Controllers RS485 serial port. Don’t be locked in with one manufacturer again! Have the best filter pump, chlorinator, and light for the job and control them at any level with the MultiWave.



# 9 Buttons—Hundreds of Options

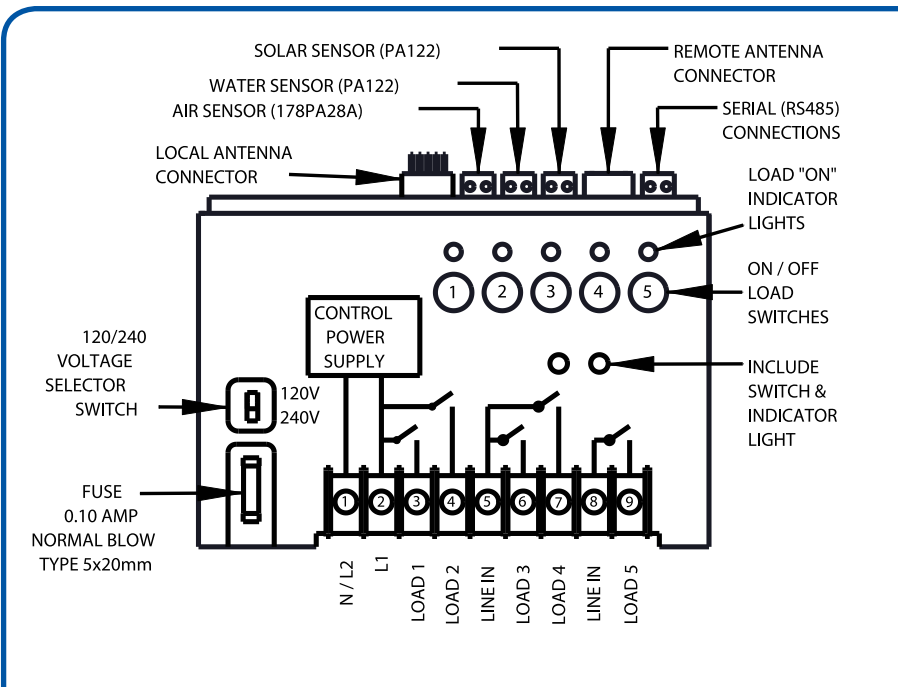
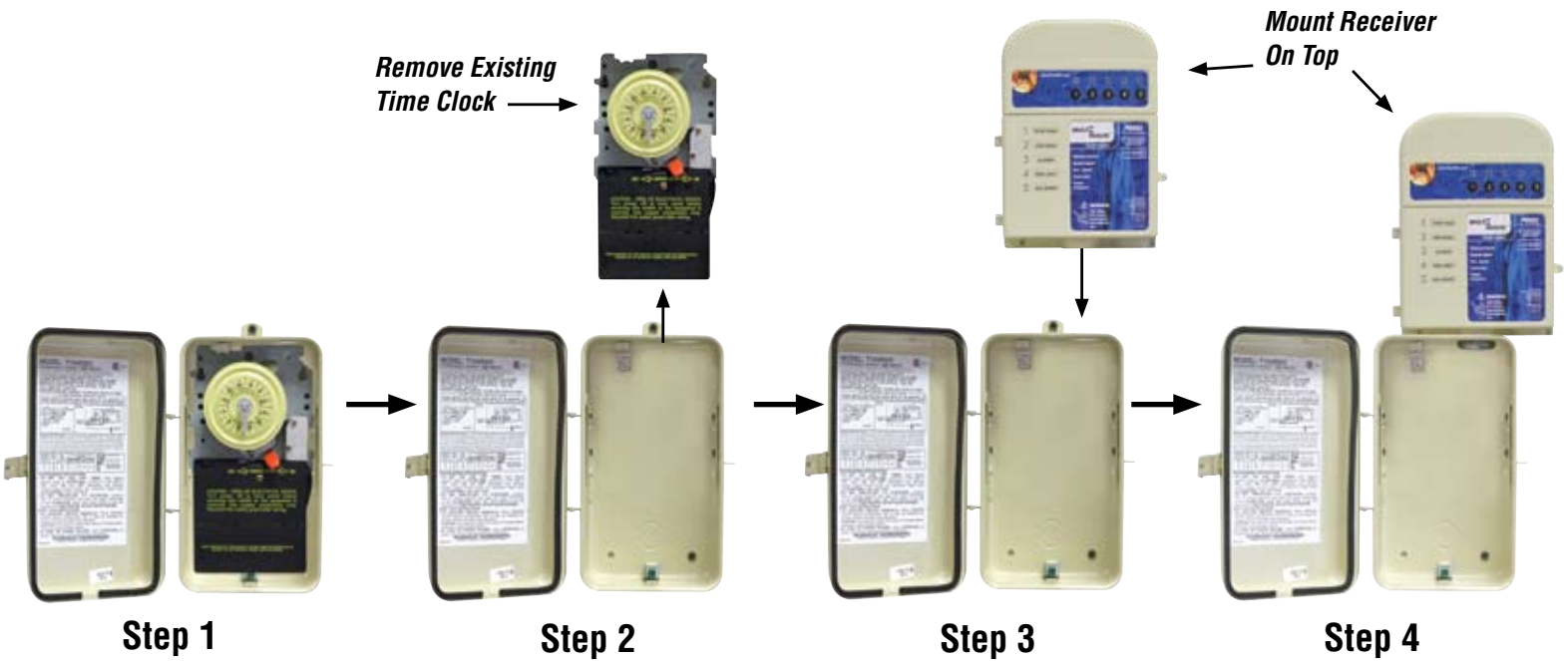
# Simple Upgrade Procedure

**Step 1** – Disconnect Power and the Line/Load wires from existing Time Switch terminals.

**Step 2** – Remove Time Switch mechanism from enclosure.

**Step 3** – Cut 1.25" hole on top of enclosure and mount the MultiWave controller through hole.

**Step 4** – Install new wires by connecting one side of the wires to the existing Time Switch Line/Load wires and the other side to the appropriate MultiWave terminal strip location. The TimeSwitch Enclosure is now your wiring junction box and needs to be tie wrapped closed when complete.





## Make Any Home a “Smart Home” *quickly, easily and affordably!*

Z-Wave unifies all your home electronics into an integrated wireless network, with no complicated programming and no new cables to run. Any Z-Wave enabled device can be effortlessly added to this network, and many non-Z-Wave devices can be made compatible by simply plugging them into a Z-Wave accessory module. In seconds, your device gets joined to the network and can communicate wirelessly with other Z-Wave modules and controllers. In addition to your MultiWave, you can control your Z-Wave household remotely from a PC and the Internet from anywhere in the world...even through your cell phone!



**CA8900**  
Thermostat



**CA3500**  
Split-Duplex Receptacle



**CA3000**  
Wall Switch



**CA600**  
Wall Dimmer Switch



*Fully backwards compatible  
with all I-Wave™ products*



[www.poolandspacontrols.com](http://www.poolandspacontrols.com)