



Installation Instructions

Please Leave for Occupant

Receptacle NTR-20
GFCI Receptacle NTR-15-GFCI
GFCI Receptacle NTR-20-GFCI
Isolated Ground Receptacle NTR-15-IG
Isolated Ground Receptacle NTR-20-IG

Receptacle

Important Note

Connect only No. 12 or 14 gauge copper or copper-clad wire to this device. Do not connect aluminum wire to this device. See device for strip length.

Installation

1. Turn power OFF. Remove old receptacle and disconnect all wires.
2. Refer to Wiring Diagrams.
3. Connect black wire(s) to brass screw terminal(s), and tighten securely.
4. Connect white wire(s) to silver screw terminal(s), and tighten securely.
5. Connect green or bare copper wire to green grounding screw terminal, and tighten securely.
6. Refer to Mounting Instructions.

GFCI Receptacle

Important Notes

1. Do not install this receptacle unless you are a qualified electrician.
2. GFCI Receptacles will provide protection against line to ground faults only. Although the ground fault receptacle does not limit the magnitude of fault current, and therefore cannot prevent electrical shock, it does limit the duration of the shock to a period considered safe for normally healthy people. They will not protect against overloads or short circuits. This is the function of the fuse or circuit breaker.
3. GFCI Receptacle is rated at 20A in feed-through applications.
4. Connect only No. 10, 12 or 14 gauge copper or copper-clad wire to this device. Do not connect aluminum wire to this device. See device for strip length.
5. Hospital Applications: GFCI-TYPE RECEPTACLES SHOULD NOT BE USED IN CRITICAL CARE PATIENT AREAS OR FOR LIFE SUPPORT EQUIPMENT APPLICATIONS BECAUSE OF THE POSSIBILITY OF POWER INTERRUPTION.

Installation

1. Locating Circuit To Be Protected: Using a test lamp, locate circuit breaker (or fuse) that controls circuit to be protected. Identify this circuit on the panel box with a number and mark this number on the panel box label supplied with Ground Fault Receptacle.

With the power OFF on this circuit and power ON for all other circuits, plug test lamp into all receptacles. Receptacles where test lamp is out are on the same circuit as receptacle to be protected. Mark these receptacles.

Check both outlets on each receptacle with test lamp to insure that receptacle is not part of a multi-wire or split-circuit. Check to determine if receptacle is controlled by a switch. If receptacle is part of a split circuit or only one side of receptacle is switch controlled, the Ground Fault Receptacle cannot be used as a replacement at this location.

2. Turn Power OFF. Remove old receptacle and disconnect all wires.
3. Refer to Wiring Diagrams.
4. Connect black wire(s) to brass screw terminal(s), and tighten securely.
5. Connect white wire(s) to silver screw terminal(s), and tighten securely.
6. Connect green or bare copper wire to green grounding screw terminal, and tighten securely.
7. Observe labeling when wiring to "LINE" and "LOAD" terminals. Refer to wiring diagrams for proper wiring.
8. Refer to Mounting Instructions.

Testing GFCI Receptacle

1. Turn power ON to Ground Fault Receptacle. The "RESET" button should be pushed in almost flush with face of device. Check power by plugging a lamp into receptacle and all downstream (protected) receptacles. The lamp should light.
2. Push "TEST" button. The "RESET" button should pop out and lamp should be out at the Ground Fault and all downstream (protected) receptacles.
3. If "RESET" button does not pop out and lamp remains lit, DO NOT USE. With Power OFF, recheck all wiring steps and connections. If all connections are correct, repeat 1 and 2 with power ON. If "RESET" button still does not pop out and lamp remains lit, DO NOT USE, return device for replacement.
4. If Ground Fault Receptacle will not stay on after being reset (with no appliance on circuit), then:
 - 1) The load side of the neutral of the receptacle may be grounded;
 - 2) A ground fault exists on load side;
 - 3) The line and load neutral wires on receptacle are reversed.

Isolated Ground Receptacle

Important Notes

1. Do not install this receptacle unless you are a qualified electrician.
2. The grounding contact on the isolated ground receptacle is isolated from the mounting means to reduce electromagnetic interference.
3. **Caution:** Care must be given to the specification of a system with isolated ground receptacles since the grounding impedance is controlled only by the grounding wires and does not benefit functionally from any parallel grounding paths.
4. Connect only No. 12 or 14 gauge copper or copper-clad wire to this device. Do not connect aluminum wire to this device. See device for strip length.

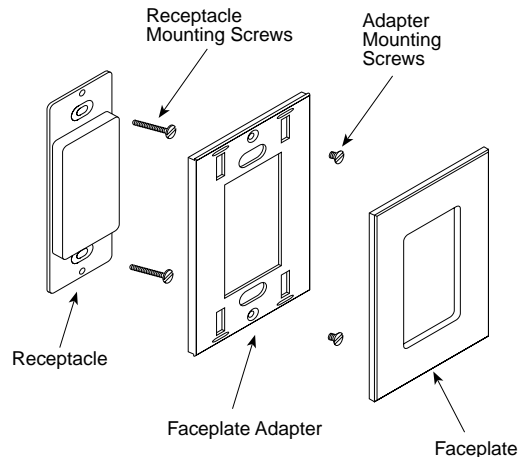
Installation

1. Turn power OFF. Remove old receptacle and disconnect all wires.
2. Refer to Wiring Diagrams.
3. Connect black wire(s) to brass screw terminal(s), and tighten securely.
4. Connect white wire(s) to silver screw terminal(s), and tighten securely.
5. Connect isolated ground wire to green grounding screw terminal, and tighten securely. **Note:** Isolated ground wire should be insulated and readily distinguishable (as in green with yellow striped insulation) from the building ground (green insulation).
6. Refer to Mounting Instructions.

Caution: Mounting means not grounded. Grounding wire connection required. Failure to connect grounding wire to the green grounding screw terminal will result in an ungrounded receptacle.

Mounting Instructions

1. Push wire(s) into wallbox. Do not pinch wires.
2. Mount Receptacle to wallbox using screws provided.
3. Separate faceplate from adapter plate. Pull faceplate off from the top.
4. Mount adapter plate with mounting screws provided.
5. Snap on faceplate.



Mounting Diagram

Multigang Installation

Combinations of controls can be ganged in one ganging wallbox or a series of interconnected wallboxes for a neat consolidated installation. Lutron offers multigang faceplates with adapter plates. Refer to instruction sheet supplied with multigang faceplates for faceplate installation.

For new installations, controls can be ganged without removing side sections. However, to reduce the size of the multigang installation or to fit existing wallboxes, inner side sections may be removed. All receptacles are considered small controls.

Note: When ganging any combination of small and large controls, place all small controls on one end and all the large controls on the other end of the gang.

Table A: Wallbox Requirement Chart for No Side Sections Removed

No Inside Side Sections Removed	Number of Small Controls				
	0	1	2	3	4
0	0	1	1+1	4	4+1
Number of Large Controls	1	1	3	5	6
	2	4	6	7	
	3	6	8		
	4	9			

Note: When ganging an even number of small controls with side sections intact, use gangable 3" x 2" wallboxes. Space an additional wallbox 3/4" apart from the other wallboxes. A 3/4" chase nipple is recommended as a spacer between wallboxes.

Example: Wallbox arrangement required for ganging 4 small controls with side sections intact:

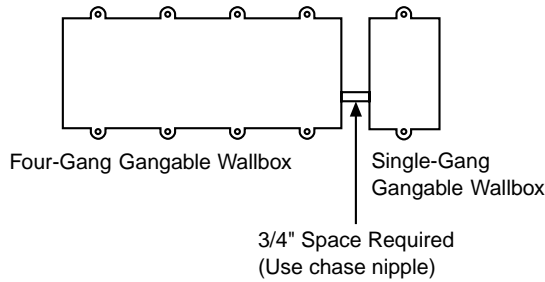


Table B: Wallbox Requirement Chart for Side Sections Removed

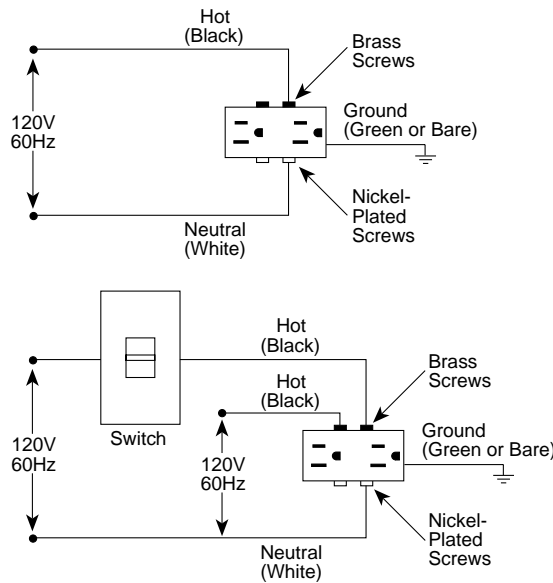
All Inside Side Sections Removed	Number of Small Controls						
	0	1	2	3	4	5	6
Number of Large Controls	0	1	2	3	4	5	6
1	1	3	4	5	6	7	8
2	3	5	6	7	8	9	10
3	5	7	8	9	10	11	12
4	7	9	10	11	12	13	14

Remove desired inner side sections from controls. Using pliers, bend side section down as far as you can and back to their original positions. Repeat until they break off.

Note: Do not remove outer side sections of controls on ends of gang.

Wiring Diagrams

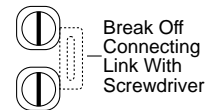
NTR-15 and NTR-20 Receptacle Wiring



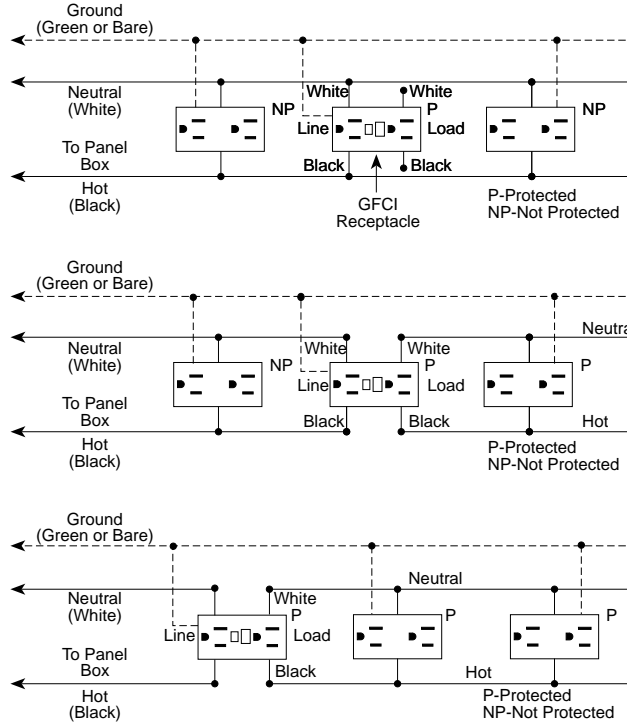
Wiring Notes:

1. Wire terminals accept No. 12 or 14 gauge wire. Solid copper only.
2. See device for proper strip length of wires.

Brass Terminals



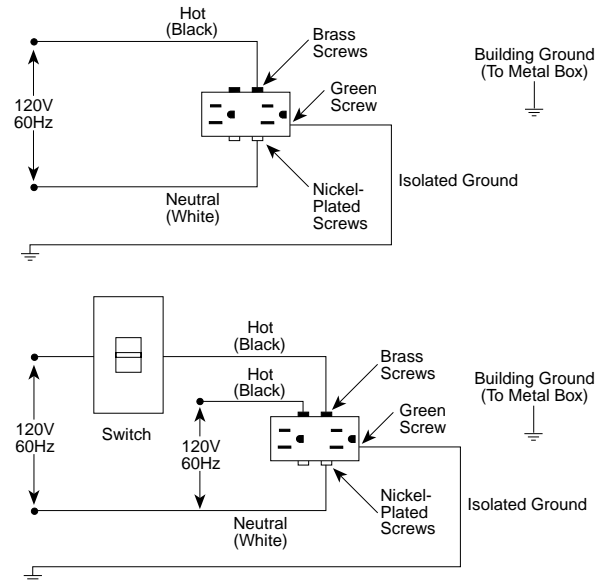
NTR-15-GFCI and NTR-20-GFCI Receptacle Wiring



Wiring Notes:

1. Wire terminals accept No. 12 or 14 gauge wire. Solid copper only.
2. See device for proper strip length of wires.

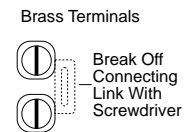
NTR-15-IG and NTR-20-IG Receptacle Wiring



Wiring Notes:

1. Wire terminals accept No. 12 or 14 gauge wire. Solid copper only.
2. See device for proper strip length of wires.

Caution: Mounting means not grounded. Grounding wire connection required. Failure to connect grounding wire to the green grounding screw terminal will result in an ungrounded receptacle.



Worldwide Technical and Sales Assistance

If you have questions concerning the installation or operation of this product, call the **Lutron Technical Assistance Hotline:**
 (800) 523-9466 (U.S.A., Canada, and the Caribbean)
 Other countries call (610) 282-3800
 Fax (610) 282-3090

Warranty

Lutron will, at its option, repair or replace any control that is defective in materials or manufacture within one year after the purchase. For warranty service, return unit to place of purchase or mail to Lutron at 7200 Suter Road, Coopersburg, PA 18036-1299, postage prepaid.
This warranty is in lieu of all other warranties, express or implied, and the implied warranty of merchantability is limited to one year from purchase. This warranty does not cover the cost of installation, removal, or reinstallation, or damage resulting from misuse, abuse, or improper wiring or installation.
 This warranty gives you specific legal rights, and you may also have other rights which vary from state to state. Some states do not allow the exclusion or limitation of incidental or consequential damages or limitations on how long an implied warranty may last, so the above limitations and exclusions may not apply to you.

LUTRON®

Lutron Electronics Co., Inc.
 7200 Suter Road
 Coopersburg, PA 18036-1299
 Made and printed in the U.S.A. 7/97 P/N 030-410 Rev. B