

Single Pole and 3-Way Wide View Motion Activated Light Control

Cat. No. PR180

Ratings: 500W-120VAC, 60Hz (Incandescent)

400VA-120VAC, 60Hz (Fluorescent - MAGNETIC RAPID START BALLASTS ONLY)

INDOOR USE ONLY

decora®

LEVITON®

DI-000-PR180-22C-X0

INSTALLATION

ENGLISH

WARNINGS AND CAUTIONS:

- To be installed and/or used in accordance with appropriate electrical codes and regulations.
- If you are not sure about any part of these instructions, consult a qualified electrician.
- To avoid overheating and possible damage to this device and other equipment, do not install to control a receptacle, a motor, or a transformer-operated appliance other than applicable fluorescent lighting.
- Use this device only with copper or copper clad wire. With aluminum wire use only devices marked co/alr or cu/al.
- Clean outer surface gently with damp cloth only. **DO NOT** use soaps or cleaning liquids.
- No user serviceable components. **DO NOT** attempt to service or repair.

DESCRIPTION

The Decora 3-Way Wide-View Motion Activated Light Control, Leviton Cat. No. PR180, is a passive infrared motion sensor switch designed to offer energy management capabilities to the end-user. Cat. No. PR180 operates by detecting motion (such as body heat) within its field-of-view (area of coverage) and automatically switches lights ON. When motion is no longer detected, lights remain ON for a selected time and automatically switch OFF. Cat. No. PR180 is suitable for indoor use only. Energy is saved with this motion switch and is ideal for any room in your home that would benefit from automatic "hands-free" light control, such as in bathrooms, bedrooms, and living areas.

Cat. No. PR180 is equipped with sensitivity and time adjustment controls, which enable the user to control the light and time settings. See "ADJUSTMENT SETTINGS" section.

FEATURES

- Cat. No. PR180 has a sensing area of coverage of 20 ft. x 20 ft., and a sensing angle of 180° (Figure 1).
- Adjustable light and time-delay controls are located on the front of the device (Figure 2).
- Manual override permits normal ON/OFF operation.
- LED indicator light is OFF when the switch is in automatic (AUTO) mode and flashes when motion is detected.

SPECIFICATIONS

- Not intended for use with electronic ballasts.**
- Jumper wires required for 3-way use.
- Intended for use with rapid start fluorescent or incandescent lighting only.
- Installing this device requires experience with residential and commercial wiring practices. Consult local building codes before attempting to install this device.

LOCATION / MOUNTING

Since Cat. No. PR180 responds to temperature changes, care should be taken when mounting the device. **DO NOT** mount directly above a heat source, in a location where hot or cold drafts will blow directly on the sensor, or where unintended motion (e.g., hallway traffic) will be within sensor's field-of-view.

TO INSTALL

- WARNING: TO AVOID FIRE, SHOCK, OR DEATH; TURN OFF POWER AT CIRCUIT BREAKER OR FUSE AND TEST THAT THE POWER IS OFF BEFORE WIRING!**
- 2A. FOR SINGLE POLE INSTALLATION:**
 - Connect lead wires per WIRING DIAGRAM as follows: Black lead to Line (HOT), Red lead to Load wire, Green lead to ground. Remaining Yellow/Red lead should have Red insulation label affixed. This lead will not be used. **NOTE:** If insulating label is not affixed to Yellow/Red lead, use a small wire nut or electrical tape to cap off.
 - Twist strands of each lead tightly, and with circuit conductors, push firmly into appropriate wire connector. Screw connectors on clockwise ensuring that no bare conductor shows below the wire connectors. Secure each connector with electrical tape.
- 2B. FOR 3-WAY INSTALLATION:**

NOTE: On Switch #1 (the 3-way switch that is to remain), two jumper wires are required between the common terminal (usually a Black screw) and one of the switch wire terminals to supply power to Cat. No. PR180 (to be installed later in this installation) regardless of the ON/OFF position of Switch #1.

NOTE: If you are **UNSURE** which wires are common, **FOLLOW STEPS A-G.** You will need either a test lamp, neon circuit tester, or a voltmeter.

CAUTION: TAKE EXTREME CARE AS YOU WILL BE WORKING WITH LIVE CONDUCTORS.

 - TURN OFF POWER.** Disconnect all wires from both 3-Way switches and leave them outside the wall box ensuring that they are not touching each other. Temporarily connect one lead from your tester to a known Ground (such as a wall box or its Ground wire). If none are available, connect to a structural Ground, such as a water pipe.
 - RESTORE POWER.** Only one of the six, non-Grounding wires should be "Hot". Using the tester, find it and label it "Line Hot". Mark its wall box "Line". The other two wires are travelers, mark them "A" and "B".
 - TURN OFF POWER.** Temporarily connect "A" to "Line Hot".
 - RESTORE POWER** and go to the other wall box. Only one wire there will be "Hot" Using the tester, find it and label it "A".
 - TURN OFF POWER.** At the "Line" wall box, disconnect "A" and "Line Hot" and temporarily connect "B" and "Line Hot".
 - RESTORE POWER.** At the second wall box, only one wire should be "Hot". Using the tester, find it and label it "B". Label the last, non-Grounding wire at the wall box "Load Hot".
 - TURN OFF POWER.** Disconnect "B" and "Line Hot". Proceed with installation.
- Replace wires from the common terminal and one switch terminal with short jumpers. Connect two jumpers "Line Hot" and "Traveler A" (see steps A-G if necessary) together with wire connector. Screw connector on clockwise. Secure connector with electrical tape.
- Connect wires per WIRING DIAGRAM as follows: Red lead to Load. Traveler "A" to Black. Traveler "B" to Yellow/Red.
- NOTE:** If wire nut is provided, use to join one 14 AWG supply conductor with one 16 or 18 AWG device control lead.
- Reinstall Switch #1 and **RESTORE POWER.**
- With Cat. No. PR180 in the ON position, toggle Switch #1 and follow steps in chart.
- TURN OFF POWER.**
- Gently position wires to provide room in the wall box for switch.
- Mount device "TOP" up.
- Restore power at circuit breaker or fuse.

ADJUSTMENT SETTINGS

- With power restored and wallplate removed, use your finger or a small screwdriver to adjust the light sensitivity and time settings on the device as follows:
 - Light Level Adjustment:**
 - Turn the control towards the "+" sign. Lights will turn ON in lighter conditions.
 - Turn the control towards the "-" sign. Lights will turn ON in less lighting conditions.
 - Time Selection:**
 - Adjust the time selector to the desired length of time the lights are to remain ON. Lights will remain ON from 15 seconds to 15 minutes after the room is vacated.
 - Turn the control towards the "+" sign. Lights will remain ON up to 15 minutes.
 - Turn the control towards the "-" sign. Lights will remain ON up to 15 seconds.
- Test that the light level and time selection are as desired. If not, repeat adjustments until satisfied.
- Mount wallplate. **INSTALLATION IS COMPLETE.**

TO OPERATE

Cat. No. PR180 operates in three modes:

ON: Slide switch to the far RIGHT.

OFF: Slide switch to the far LEFT.

AUTO: Switch is at CENTER position.

NOTES:

- Allow 1 minute for Cat. No. PR180 to warm-up before using in auto mode.
- In AUTO mode the device will switch lights OFF in an occupied room if no motion is detected for the selected time delay. If continuous operation is desired, select the ON position.

TROUBLESHOOTING

Lights do not switch ON when motion is detected:

- Push switch to AUTO. LED should flash when motion is detected.
- Motion is beyond sensing range, move closer to switch.
- Adjust the light level adjustment toward lighter or darker, depending on room conditions.

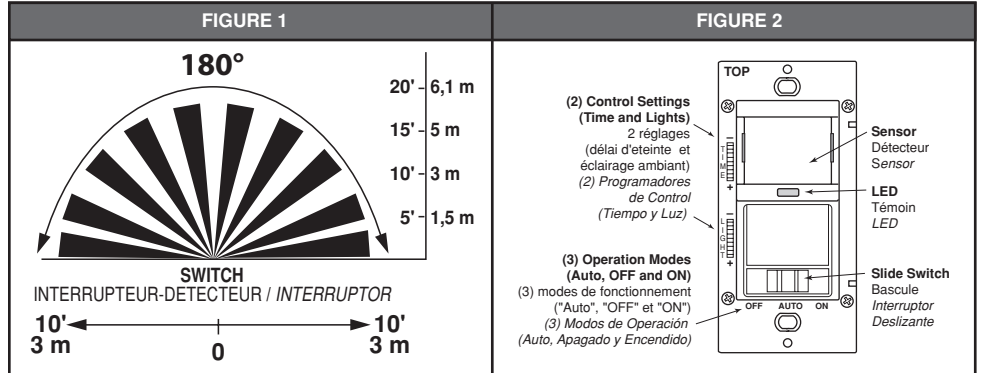
Lights always stay ON:

- Check that switch is in AUTO position.
- Be sure that no motion occurs in coverage area for time selected.
- Check that switch is not installed near a heat source (e.g., stove, lights, heat vents) or detecting motion from an adjacent area (e.g., hallway traffic). If so, switch may have to be relocated.

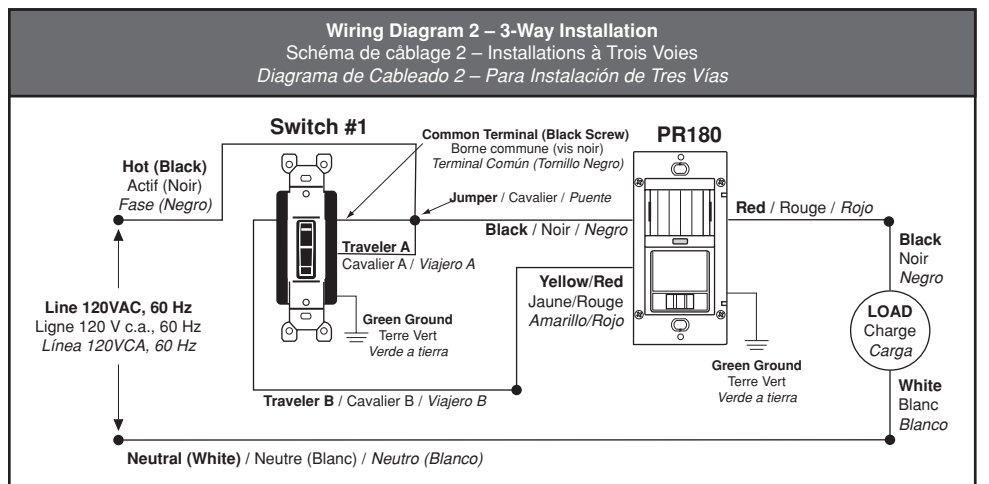
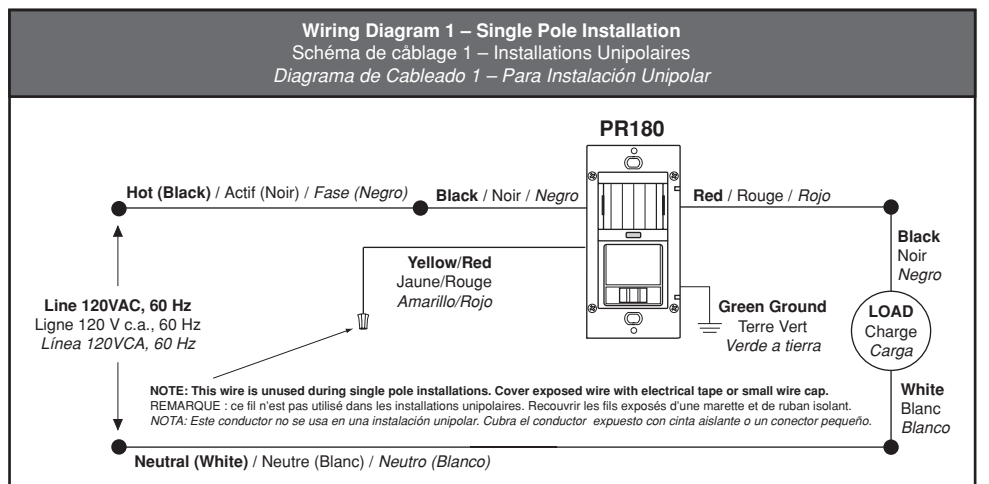
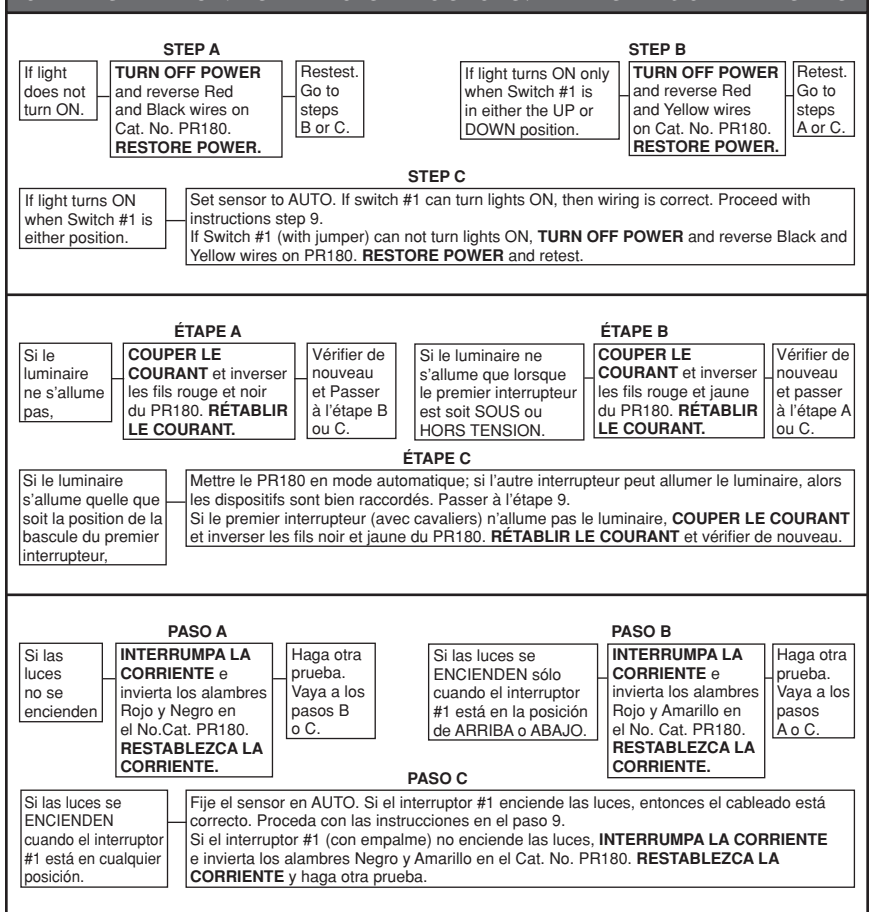
Lights do not turn ON in AUTO or MANUAL ON modes:

- Check that switch is installed correctly.
- Check that power is ON.
- Check that light bulb is functioning.
- If applicable, check that switch on controlled unit is ON.

NOTE: If problems continue, consult a qualified electrician.



3-WAY INSTALLATION / INSTALLATIONS À TROIS VOIES / PARA INSTALACIÓN DE TRES VÍAS



LIMITED 5 YEAR WARRANTY AND EXCLUSIONS

Leviton warrants to the original consumer purchaser and not for the benefit of anyone else that this product at the time of its sale by Leviton is free of defects in materials and workmanship under normal and proper use for five years from the purchase date. Leviton's only obligation is to correct such defects by repair or replacement, at its option, if within such five year period the product is returned prepaid, with proof of purchase date, and a description of the problem to Leviton Mfg. Co., Inc. 201 North Service Road, Melville, N.Y. 11747, U.S.A. This warranty excludes and there is disclaimed liability for labor for removal of this product or reinstallation. This warranty is void if this product is installed improperly or in an improper environment, overloaded, misused, opened, abused, or altered in any manner, or is not used under normal operating conditions or not in accordance with any labels or instructions. There are no other or implied warranties of any kind, including merchantability and fitness for a particular purpose, but if any implied warranty is required by the applicable jurisdiction, the duration of any such implied warranty, including merchantability and fitness for a particular purpose, is limited to five years. Leviton is not liable for incidental, indirect, special, or consequential damages, including without limitation, damage to, or loss of use of, any equipment, lost sales or profits or delay or failure to perform this warranty obligation. The remedies provided herein are the exclusive remedies under this warranty, whether based on contract, tort or otherwise.

