

3-Way or More Applications (Multi-Location)
Decora® Manual-ON Occupancy Sensor Remote
 California Title 24 2005 Compliant
 Cat. No. IPP0R
 120VAC, 60Hz
No Minimum Load Required

Compatible with incandescent lamps, electronic and magnetic low-voltage ballasts, electronic and magnetic ballasts, and fans.

INSTALLATION INSTRUCTIONS

WARNINGS AND CAUTIONS:

- To be installed and/or used in accordance with appropriate electrical codes and regulations.
- If you are unsure about any part of these instructions, consult a qualified electrician.
- Controlling a load in excess of the specified ratings will damage the unit and pose risk of fire, electric shock, personal injury or death. Check your load ratings to determine suitability for your application.
- Do not install this unit to control a receptacle.

WARNINGS AND CAUTIONS:

- The Manual-On Occupancy Sensor Remote is intended to replace a standard light switch.
- Do not touch the surface of the lens. Clean outer surface with a damp cloth only.
- Disconnect power at circuit breaker or fuse when servicing, installing or removing fixture.
- Use this device only with copper or copper clad wire. With aluminum wire use only devices marked CO/ALR or CU/AL.

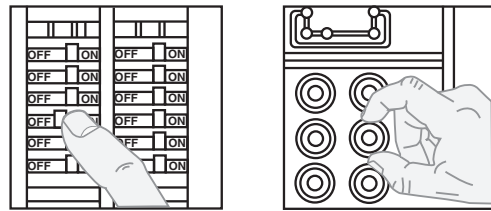
Tools needed to install your Remote:

- Slotted/Phillips Screwdriver
- Pliers
- Cutters
- Electrical Tape
- Pencil
- Ruler

INSTALLING YOUR REMOTE

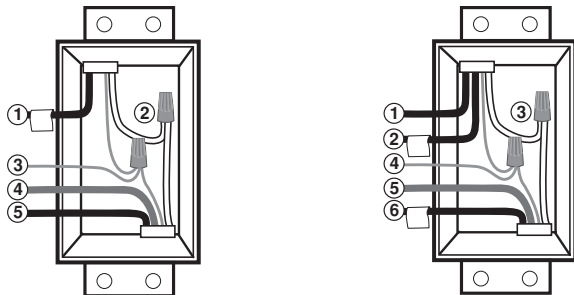
NOTE: Use check boxes when Steps are completed.

Step 1 **WARNING: TO AVOID FIRE, SHOCK, OR DEATH; TURN OFF POWER** at circuit breaker or fuse and test that power is off before wiring!



Step 2 **Identifying your wiring application (most common):**

NOTE: If the wiring in the wall box does not resemble any of these configurations, consult a qualified electrician.



3-Way

- Line or Load (*See important instruction below*)
 - Neutral
 - Ground
 - First Traveler – note color
 - Second Traveler – note color
- NOTE:** For matching remote w/LEDs installation, the **First Traveler** becomes Line Hot.

4-Way

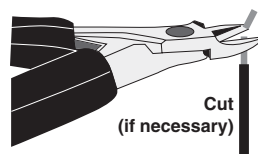
- First Traveler – note color
 - Second Traveler – tagged
 - Neutral
 - Ground
 - Third Traveler – note color
 - Fourth Traveler – tagged
- NOTE:** For matching remote w/LEDs installation, the **First Traveler** becomes Line Hot.

IMPORTANT: For 3-Way applications, note that one of the screw terminals from the old switch being removed will usually be a different color (Black) or labeled Common. Tag that wire with electrical tape and identify as the common (Line or Load) in both the sensor wall box and remote wall box.

For 4-Way applications, note that the old switch being removed will have 4 screws plus a ground screw. Tag the two same color insulated wires with electrical tape.

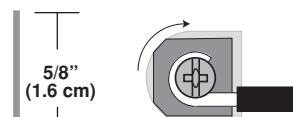
Step 3 **Preparing and connecting wires:**

This remote can be wired using side wire terminal screws or through backwire openings. Choose appropriate wire stripping specifications accordingly.



Step 3 cont'd

Strip Gage (measure bare wire here or use gage on back of the sensor remote)



Side Wire Connection
 Side wire terminals accept #14 AWG solid copper wire only.

Strip Gage (measure bare wire here or use gage on back of the sensor remote)

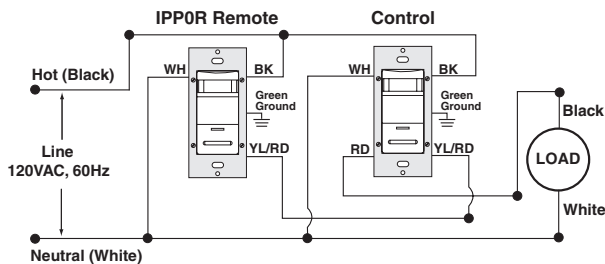
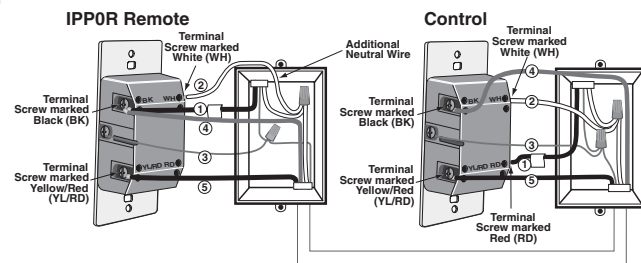


Back Wire (either hole may be used)
 Back wire openings use #14-12 AWG solid copper wire only.

- Make sure that the ends of the wires from the wall box are straight (cut if necessary).
- Remove insulation from each wire in the wall box as shown.

Step 4a **3-Way Wiring with Sensor Remote for Controls with Neutral Connection Application:**

NOTE: IPP15 sensor is depicted as control device.



NOTE: The control must be installed in a wall box that has a Load connection. The sensor remote must be installed in a wall box with a Line Hot connection and a Neutral connection. A Neutral wire to the sensor remote needs to be added as shown.

If you are unsure about any part of these instructions, consult a qualified electrician.

NOTE: Maximum wire length from control to all installed remotes cannot exceed 300 ft (90 m).

WIRING SENSOR REMOTE (wall box with Line Hot connection):

Connect wires per WIRING DIAGRAM as follows:

- Green or bare copper wire in wall box to Green terminal screw on sensor remote.
- Line Hot (common) wall box wire identified (tagged) when removing old switch and First Traveler to terminal screw marked "BK" on control.
- Second Traveler wall box wire from control to sensor remote terminal screw marked "YL/RD" (**note wire color**). This traveler from the sensor remote must go to terminal screw marked "YL/RD" on the control.
- Line Neutral wall box to sensor remote terminal screw marked "WH".

Step 4a cont'd

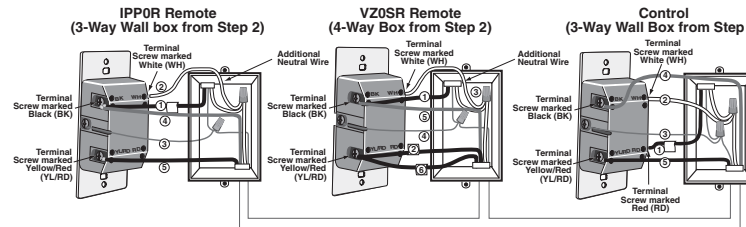
WIRING CONTROL (wall box with Load connection):

Connect wires per WIRING DIAGRAM as follows:

- Green or bare copper wire in wall box to Green terminal screw on control.
- Load wall box wire identified (tagged) when removing old switch to terminal screw marked "RD" on control.
- First Traveler Line Hot to terminal screw marked "BK" on control.
- Remove Red insulating label from terminal screw marked "YL/RD" on control.
- Second Traveler wall box wire (**note color as above**) to terminal screw marked "YL/RD" on control. This traveler from the control must go to the terminal screw on the sensor remote marked "YL/RD".
- Line neutral wall box wire to terminal screw marked "WH" on control.

Step 4b **4-Way Wiring with Sensor Remote for Controls with Neutral Connection Application:**

NOTE: IPP15 sensor is depicted as control device.



NOTE: The control must be installed in a wall box that has a Load connection. The sensor remote must be installed in a wall box with a Line Hot connection and a Neutral connection. A Neutral wire to the sensor remote needs to be added as shown.

If you are unsure about any part of these instructions, consult a qualified electrician.

NOTE: Maximum wire length from control to all installed remotes cannot exceed 300 ft (90 m).

WIRING SENSOR REMOTE (4-Way wall box with Line Hot connection):

Connect wires per WIRING DIAGRAM as follows:

- Green or bare copper wire in wall box to Green terminal screw on sensor remote.
- First Traveler and Third Traveler wall box wire to remote terminal screw marked "BK" in 4-way box, and to terminal screw marked "BK" of the remaining remote in 3-way box.
- Second Traveler (tagged) and Fourth Traveler (tagged) wall box wire from control in 3-way box to sensor remote terminal screw marked "YL/RD" in 4-way box and to terminal screw marked "YL/RD" of the remaining remote in 3-way box (**note wire colors**). This traveler from the remotes must go to the terminal screw marked "YL/RD" on the control.
- Line Neutral wall box wire to remote terminal screw marked "WH".

WIRING SENSOR REMOTE (3-Way wall box with Line Hot connection):

Connect wires per WIRING DIAGRAM as follows:

- Green or bare copper wire in wall box to Green terminal screw.
- Line Hot (common) wall box wire identified (tagged) when removing old switch and First Traveler wall box wire to control terminal screw marked "BK".
- Second Traveler wall box wire from control to remote terminal screw marked "YL/RD" (**note wire color as above**). This traveler from the remote must go to the terminal screw marked "YL/RD" on the control.
- Line Neutral wall box wire to remote terminal screw marked "WH".

Step 4b cont'd

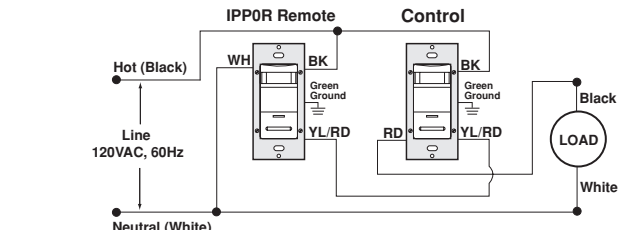
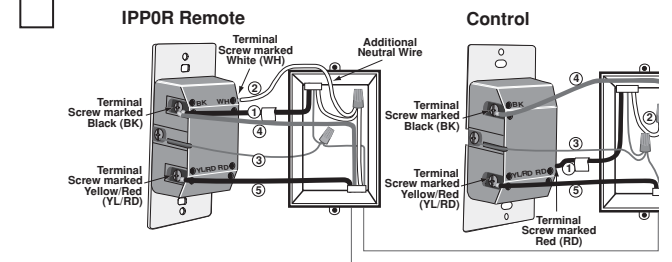
WIRING CONTROL (3-Way wall box with Load connection):

Connect wires per WIRING DIAGRAM as follows:

- Green or bare copper wire in wall box to Green terminal screw on control.
- Load wall box wire identified (tagged) when removing old switch to terminal screw marked "RD" on control.
- First Traveler Line Hot to terminal screw marked "BK" on control.
- Remove Red insulating label from terminal screw marked "YL/RD" on control.
- Second Traveler wall box wire (**note color as above**) to terminal screw marked "YL/RD" on control. This traveler from the control must go to the terminal screw on the remote marked "YL/RD".
- Line Neutral wall box wire to terminal screw marked "WH" on control.

Step 4c **3-Way Wiring with Sensor Remote Application:**

NOTE: IPP15 sensor is depicted as control device.



NOTE: The control must be installed in a wall box that has a Load connection. The sensor remote must be installed in a wall box with a Line Hot connection and a Neutral connection. A Neutral wire to the sensor remote needs to be added as shown.

If you are unsure about any part of these instructions, consult a qualified electrician.

NOTE: Maximum wire length from control to all installed remotes cannot exceed 300 ft.

WIRING SENSOR REMOTE (wall box with Line Hot connection):

Connect wires per WIRING DIAGRAM as follows:

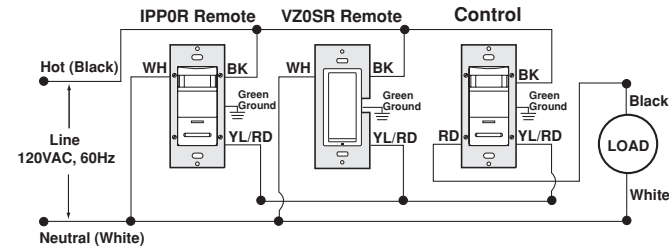
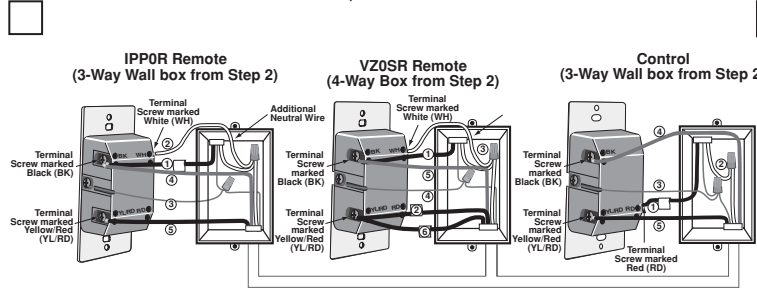
- Green or bare copper wire in wall box to Green terminal screw on sensor remote.
- Line Hot (common) wall box wire identified (tagged) when removing old switch and First Traveler to terminal screw marked "BK" on control.
- Second Traveler wall box wire from control to sensor remote terminal screw marked "YL/RD" (**note wire color**). This traveler from the remote must go to the terminal screw on the control marked "YL/RD".
- Line Neutral wall box to sensor remote terminal screw marked "WH".

WIRING CONTROL (wall box with Load connection):

Connect wires per WIRING DIAGRAM as follows:

- Green or bare copper wire in wall box to Green terminal screw on control.
- Load wall box wire identified (tagged) when removing old switch to terminal screw marked "RD" on control.
- First Traveler Line Hot to terminal screw marked "BK" on control.
- Remove Red insulating label from terminal screw marked "YL/RD" on control.
- Second Traveler wall box wire (**note color as above**) to terminal screw marked "YL/RD" on control. This traveler from the control must go to the terminal screw on the sensor remote marked "YL/RD".

Step 4d 4-Way Wiring with Sensor Remote Application:
NOTE: IPP15 sensor is depicted as control device.



NOTE: The control **must** be installed in a wall box that has a Load connection. The sensor remote **must** be installed in a wall box with a Line Hot connection and a Neutral connection. A Neutral wire to the sensor remote needs to be added as shown.

If you are unsure about any part of these instructions, consult a qualified electrician.

NOTE: Maximum wire length from control to all installed remotes cannot exceed 300 ft (90 m).

WIRING SENSOR REMOTE (4-Way wall box with Line Hot connection):

Connect wires per WIRING DIAGRAM as follows:

- Green or bare copper wire in wall box to Green terminal screw on sensor remote.
- First Traveler and Third Traveler wall box wire from control in the 3-way box to remote terminal screw marked "BK" in the 4-way box, and to the terminal screw marked "BK" of the remaining sensor remote in the 3-way box.
- Second Traveler (tagged) and Fourth Traveler (tagged) wall box wire from control in the 3-way box to remote terminal screw marked "YL/RD" in the 4-way box, and to the terminal screw marked "YL/RD" of the remaining sensor remote in the 3-way box (**note wire colors**). This traveler from the remotes must go to the terminal screw marked "YL/RD" on control.
- Line Neutral wall box wire to remote terminal screw marked "WH".

WIRING SENSOR REMOTE (3-Way wall box with Line Hot connection):

Connect wires per WIRING DIAGRAM as follows:

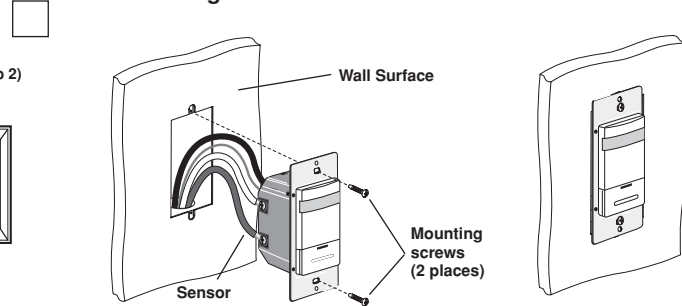
- Green or bare copper wire in wall box to Green terminal screw on sensor remote.
- Line Hot (common) wall box wire identified (tagged) when removing old switch and First Traveler to terminal screw marked "BK" on control.
- Second Traveler wall box wire from control to remote terminal screw marked "YL/RD" (**note wire color as above**). This traveler from the sensor remote must go to the terminal screw marked "YL/RD" on control.
- Line Neutral wall box wire to remote terminal screw marked "WH".

WIRING CONTROL (3-Way wall box with Load connection):

Connect wires per WIRING DIAGRAM as follows:

- Green or bare copper wire in wall box to Green terminal screw on control.
- Load wall box wire identified (tagged) when removing old switch to terminal screw marked "RD" on control.
- First Traveler Line Hot to terminal screw marked "BK" on control.
- Remove Red insulating label from terminal screw marked "YL/RD" on control.
- Second Traveler wall box wire (**note color as above**) to terminal screw marked "YL/RD" on control. This traveler from the control must go to the terminal screw on the remote marked "YL/RD".

Step 5 Testing your Sensor Remote prior to completely mounting in wall box:



NOTE: Dress wires with a bend as shown in diagram to relieve stress when mounting device.

- Position all wires to provide room in outlet wall box for device.
- Ensure that the word "TOP" is facing up on the device strap.
- Partially secure device using long mounting screws provided.
- Restore power at circuit breaker or fuse.
- Perform the adjustments for the time-out and blinder settings (**refer to Time Delay and Blinders section**). If necessary, adjust the range control and the blinders to stop any unwanted activation of the lights.

NOTE: To avoid PERMANENT DAMAGE to the unit, be careful NOT TO OVERTURN the control knobs or levers when setting the Sensor Remote. The controls can be accessed by removing the wallplate (if applicable) and control panel cover (**refer to Sensor Features Diagram**). Use a small straight blade screwdriver to adjust knobs and blinder levers.

NOTE: DO NOT press in on blinder levers or use excessive force (**refer to Sensor Features Diagram**).

- Attach the Control Panel cover when the desired settings are complete.

If lights do not turn ON, refer to the TROUBLESHOOTING section.

FEATURES

BLINDERS: The blinders can narrow the field-of-view of the device to prevent unwanted activation from traffic in adjacent space. There are two blinders, and each operate independently. To operate the blinders, use a small screwdriver to move the blinder adjustment levers toward or away from the center of the device.

The blinder levers are found above the control knobs and below the text 'BLINDERS' on the control panel. With both levers moved fully towards the center, the field-of-view is narrowed to 32°. With both levers moved fully away from the center, the field-of-view is at a maximum 180° (**refer to Sensor Features Diagram**).

TIME-DELAY: Cat. No. IPP0R will turn lights ON only when the switch is manually activated. When motion is no longer detected, the Sensor Unit will wait a certain amount of time and then turn the lights OFF. This wait time is called "time-out".

The "time-out" is selected from four (4) preset values. Pointing the arrow at one of the markings on the face chooses the value of time. The following selections are available:

Face Marking	Value of Time
(/) Slash Mark	30 second fixed time-out used for performing a walk-test.
1	5 minute time-out
2	15 minute time-out
3	30 minute time-out

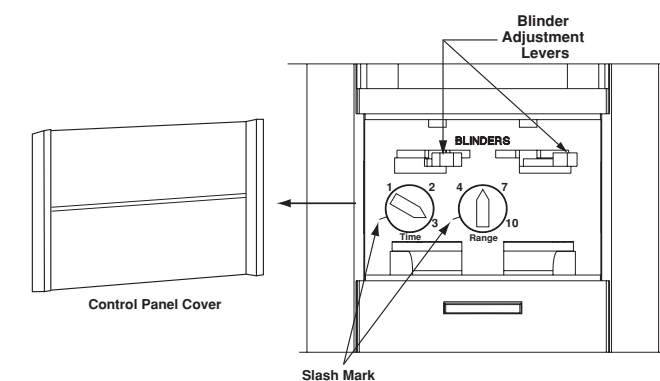
The "time-out" is factory preset to thirty (30) minutes. Refer to Sensor Features Diagram.

NOTE: All time durations mentioned in the instructions are approximate within 10 seconds.

Manual ON: The lights need to be manually turned ON by the push-button, and will turn OFF with the absence of motion or can be manually turned OFF.

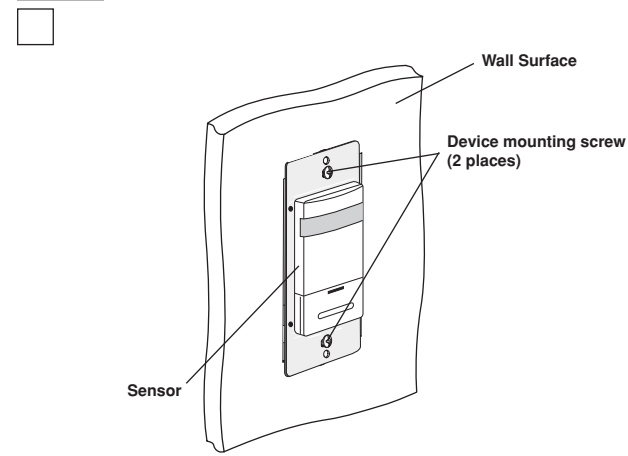
RANGE: To decrease detection range and sensitivity, rotate the knob counter-clockwise (**refer to Sensors Feature Diagram**). The detection range can be adjusted from 100% down to 36%.

Sensor Features Diagram



NOTE: "Time" and "Range" knobs are shown in factory preset positions.

Step 6 Sensor Remote Mounting:



- Secure device by firmly tightening mounting screws.

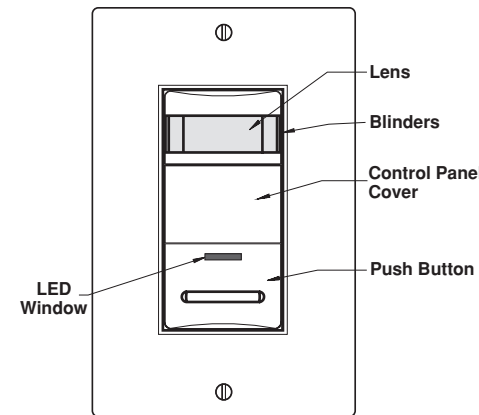
OPERATION

Cat. No. IPP0R has a push-button switch that will toggle the lights ON and OFF (**refer to diagram**). The lights will not turn ON automatically with occupancy. If the lights are OFF, the lights will turn ON only when the button is pressed, and remain ON in the presence of motion. The Sensor Remote will turn the lights OFF either in the absence of motion or when the button is pressed.

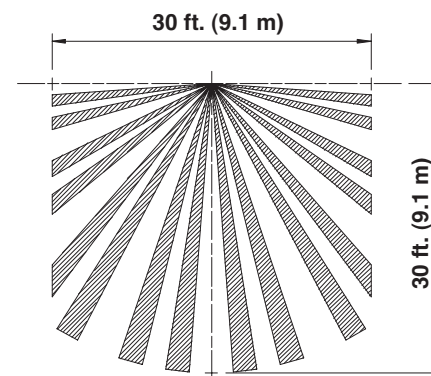
If motion is detected within 30 seconds after the lights have turned OFF due to absence of motion, the lights will turn back ON. If 30 seconds expires when lights have turned OFF due to absence of motion, the lights will then have to be turned ON manually.

NOTE:

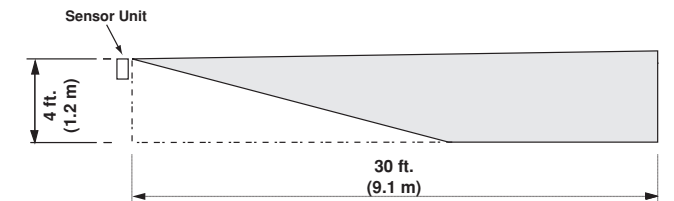
- The Motion Indicator LED will blink every 3 seconds while motion is detected.



Field-of-View (Horizontal)



Side (Vertical) Field-of-View



TROUBLESHOOTING

- If there is no response from the unit and the LED never blinks or the push button does not activate the lights, then uninstall device and verify wiring (**Step 4**).
- If the lights constantly stay ON, even when the room is unoccupied:
 - Check the Time setting. See how this time compares to how long the lights stay ON.
 - Try lowering the Range Control. Rotate the knob counter-clockwise about 30°.
 - If the problem persists, try reducing range control again. **NOTE:** Do Not reduce so much that Cat. No. IPP0R cannot see normal occupancy.
 - Be sure to use the Blinders to block any unwanted hallway traffic.
 - Check for reflected heat/motion as Sensor Unit may be seeing motion through a window.
 - Check for adjacent HVAC and/or heater ducts.

PRODUCT INFORMATION

- For technical assistance contact us at **1-800-824-3005**
- Visit our website at **www.leviton.com**

FCC COMPLIANCE STATEMENT

This equipment has been tested and found to comply with the limits for a Class B Digital Device, pursuant to Part 15 of the FCC Rules. These limits are designed to provide reasonable protection against harmful interference in a residential installation. This equipment generates, uses, and can radiate radio frequency energy and, if not installed and used in accordance with the instructions, may cause harmful interference to radio communications. However, there is no guarantee that interference will not occur in a particular installation. If this equipment does cause harmful interference to radio or television reception, which can be determined by turning the equipment OFF an ON, the user is encouraged to try to correct the interference by one or more of the following measures:

- Reorient or relocate the receiving Antenna.
- Increase the separation between the equipment and the receiver.
- Connect the equipment into an outlet on a circuit different from that to which the receiver is connected.
- Consult the dealer or an experienced radio/tv technician for help.

LIMITED 5 YEAR WARRANTY AND EXCLUSIONS

Leviton warrants to the original consumer purchaser and not for the benefit of anyone else that this product at the time of its sale by Leviton is free of defects in materials and workmanship under normal and proper use for five years from the purchase date. Leviton's only obligation is to correct such defects by repair or replacement, at its option, if within such five year period the product is returned prepaid, with proof of purchase date, and a description of the problem to Leviton Manufacturing Co., Inc., Attn: Quality Assurance Department, 59-25 Little Neck Parkway, Little Neck, New York 11362-2591. This warranty excludes and there is disclaimed liability for labor for removal of this product or reinstallation. This warranty is void if this product is installed improperly or in an improper environment, overloaded, misused, opened, abused, or altered in any manner, or is not used under normal operating conditions or not in accordance with any labels or instructions. There are no other or implied warranties of any kind, including merchantability and fitness for a particular purpose, but if any implied warranty is required by the applicable jurisdiction, the duration of any such implied warranty, including merchantability and fitness for a particular purpose, is limited to five years. Leviton is not liable for incidental, indirect, special, or consequential damages, including without limitation, damage to, or loss of use of, any equipment, lost sales or profits or delay or failure to perform this warranty obligation. The remedies provided herein are the exclusive remedies under this warranty, whether based on contract, tort or otherwise.