

Pass & Seymour

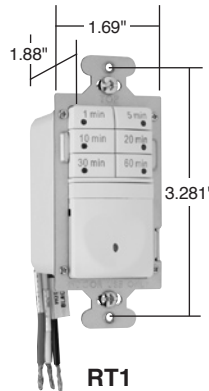


<http://waterheatertimer.org/Countdown-timer-horsepower-ratings.html>

# Decorator Devices Timers



RT1  
shown with  
SWP26



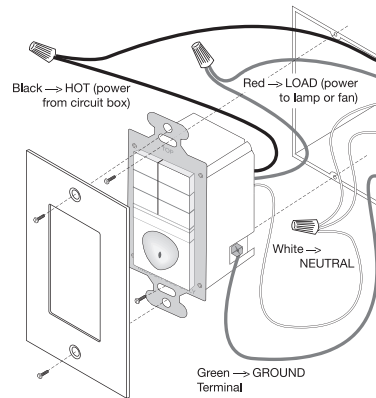
RT1

- | Features   |  |
|--|--|
| <ul style="list-style-type: none"> <li>■ Seven-button preset time switch.</li> <li>■ Manual ON/OFF.</li> <li>■ Adjustable time delay: 1, 5, 10, 20, 30, 60 minutes.</li> <li>■ Lighted switch for visibility in darkened rooms.</li> <li>■ Controls most types of lighting.</li> </ul> | <ul style="list-style-type: none"> <li>■ cULus listed.</li> <li>■ 5-year warranty.</li> <li>■ Load: Incandescent, fluorescent, compact fluorescent (CFL), magnetic low-voltage (MLV) and electronic low-voltage (ELV), 1/6 hp</li> </ul> |

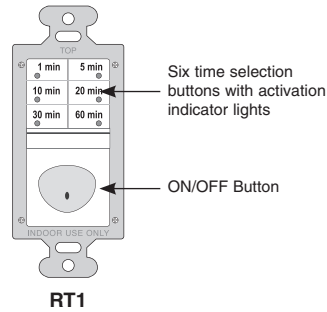


Catalog Number	Description	Rating	Load	Time-Running-Out Warning	Color
<b>Digital Timers</b>					
RT1I				No	Ivory
RT1W	7-Button Digital Timer, Neutral required	0-600W, 1/6 hp @ 120VAC 60 Hz	All	No	White
RT1BK				No	Black
RT1LA				No	Light Almond

### RT1 Wiring



### Product Controls





# Decorator Devices Timers

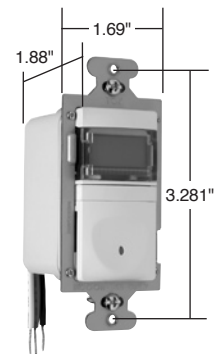
Pass & Seymour



Features	
<ul style="list-style-type: none"> <li>■ Programmable countdown time switch</li> <li>■ Manual ON/OFF.</li> <li>■ Digital countdown display.</li> <li>■ Adjustable time delay from 5-55 minutes (five-minute increments) to 1-12 hours (15-minute increments).</li> <li>■ Audible beep and visible light flash warnings before automatic-OFF.</li> </ul>	<ul style="list-style-type: none"> <li>■ Lighted switch for visibility in darkened rooms.</li> <li>■ Works with most common lighting types.</li> <li>■ cULus listed.</li> <li>■ 5-year warranty.</li> <li>■ Load: Incandescent, fluorescent, compact fluorescent (CFL), magnetic low-voltage (MLV) and electronic low-voltage (ELV), 1/6 hp</li> </ul>



**RT12**  
shown with  
SWP26



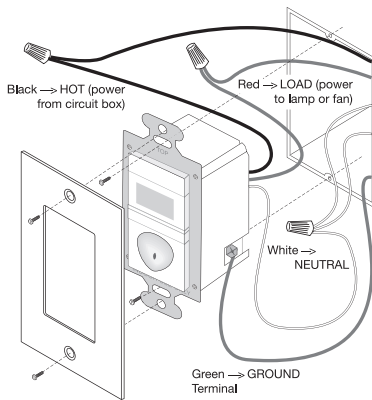
**RT12**



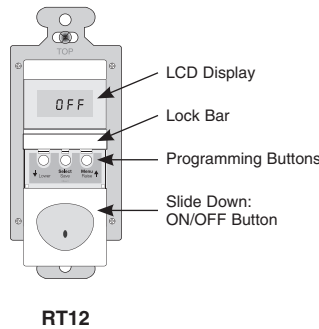
**RT24**  
shown with  
wall plate

Catalog Number	Description	Rating	Load	Time-Running-Out Warning	Color
<b>Digital Timers</b>					
RT12I	12-Hour Digital Timer, Neutral required	0-600W, 1/6 hp @ 120VAC 60 Hz	All	Yes	Ivory
RT12W				Yes	White
RT12BK				Yes	Black
RT12LA				Yes	Light Almond

**RT12 Wiring**



**Product Controls**



**RT12**

Features	
<ul style="list-style-type: none"> <li>■ Manual or programmed ON/OFF switching.</li> <li>■ Real time clock with day/date calendar.</li> <li>■ Easy to read LED display.</li> <li>■ Programming buttons accessible without removing wall plate.</li> <li>■ Eight programs can be assigned to any day or combination of days of the week.</li> <li>■ Automatically calculates sunrise and sunset times based on latitude and longitude.</li> </ul>	<ul style="list-style-type: none"> <li>■ Audible or visual occupant warning before OFF.</li> <li>■ Power failure memory.</li> <li>■ Zero crossing circuitry.</li> <li>■ cULus listed.</li> <li>■ 5-year warranty.</li> <li>■ Load: Incandescent, fluorescent, compact fluorescent (CFL), magnetic low-voltage (MLV) and electronic low-voltage (ELV), 1/6 hp</li> </ul>

Catalog Number	Description	Rating	Load	Time-Running-Out Warning	Color
<b>Astronomic Programmable Timers</b>					
RT24I	24-Hour Programmable Timer	0-800W @ 120V 0-1200W @ 277V 1/6 hp @ 120/277V	All	Yes	Ivory
RT24W				Yes	White
RT24BK				Yes	Black
RT24LA				Yes	Light Almond

**Available Spring 2009.**

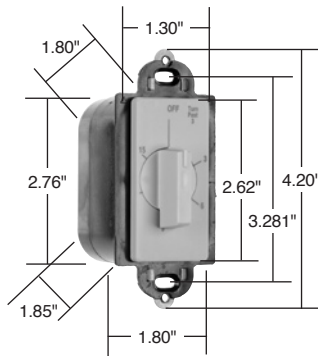
All devices listed on this page conform to NEMA WD-1 and WD-6.

Pass & Seymour



## Decorator Devices Wall Box Timers

125, 125-T, 250 & 277VAC, 60 Hz



97015I

### Applications

- Lighting
- Whirlpools and spas
- Heating and heat lamps
- Exhaust fans
- Saunas
- Ventilating and air conditioning

### Features

- Units with "Hold" feature may be turned counter-clockwise to hold the load on without timing function.
- Turning clockwise causes unit to time load off after desired time delay.
- Quiet operation.
- Time range from 5 minutes to 12 hours.
- Available with or without hold.
- Decorator styling.
- Easily installed.
- Large head screw terminals.
- Accurate to ± 5 percent.
- Motor rated.
- Energy saving.

Catalog Number	Description	Time Range	Color
<b>Specification Grade Decorator Rotary Timers</b>			
97015I 97015W 97015LA	Timeout, No Hold	15 Minutes	Ivory White Light Almond
97030I 97030W 97030LA	Timeout, No Hold	30 Minutes	Ivory White Light Almond
97060I 97060W	Timeout, No Hold	60 Minutes	Ivory White
97115I 97115W	Timeout, With Hold	15 Minutes	Ivory White
97130I 97130W	Timeout, With Hold	30 Minutes	Ivory White
97160I 97160W	Timeout, With Hold	60 Minutes	Ivory White

Catalog Number	Color
<b>Replacement Knobs (without plate)</b>	
PS55A1	White
PS55B1	Ivory
PS55G1	Light Almond

VAC	Hz	Amp	HP
<b>Ratings</b>			
125	60	20	1
125T	60	7	7
250	60	10	1
277	60	10	1